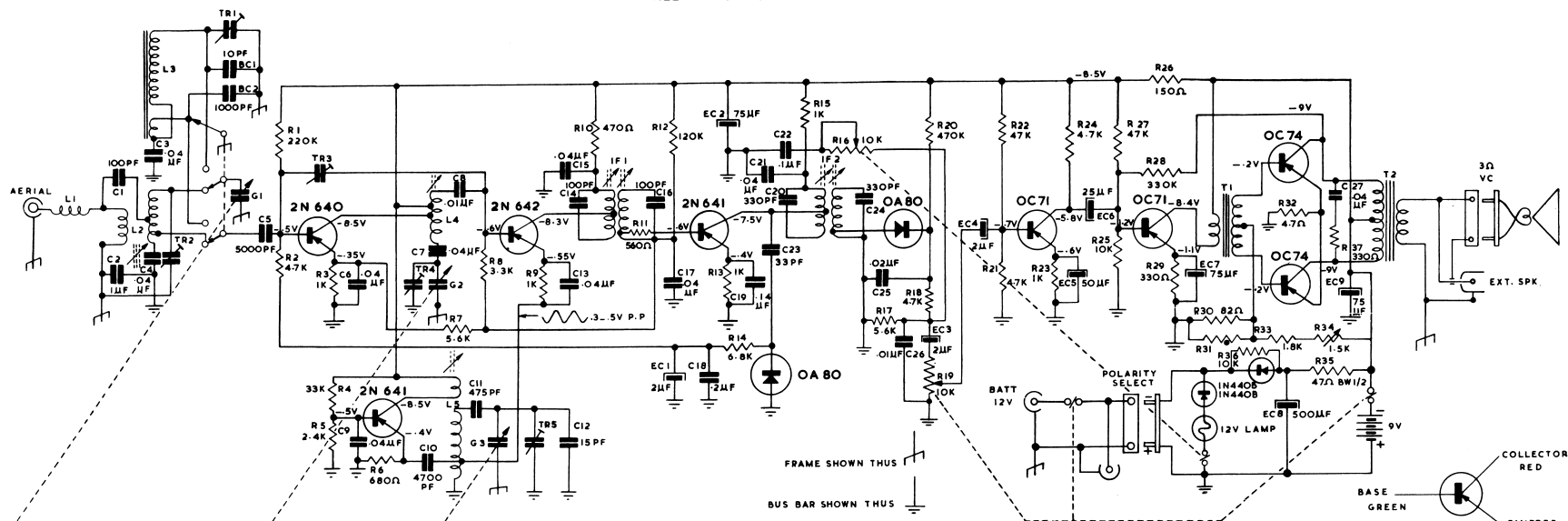


FERRIS PORTABLE CAR RADIO

ALL TRANSISTOR MODEL M134 MKII



R1 220K 10% RESISTOR	R20 470K 10% RESISTOR
R2 4.7K 10% RESISTOR	R21 4.7K 10% RESISTOR
R3 1K 10% RESISTOR	R22 47K 10% RESISTOR
R4 33K 10% RESISTOR	R23 1K 10% RESISTOR
R5 2.4K 10% RESISTOR	R24 47K 10% RESISTOR
R6 680Ω 10% RESISTOR	R25 10K 10% RESISTOR
R7 5.6K 10% RESISTOR	R26 150Ω 10% RESISTOR
R8 3.3K 10% RESISTOR	R27 47K 10% RESISTOR
R9 1K 10% RESISTOR	R28 330K 10% RESISTOR
R10 470Ω 10% RESISTOR	R29 330Ω 10% RESISTOR
R11 560Ω 10% RESISTOR	R30 82Ω 10% RESISTOR
R12 120K 10% RESISTOR	R31 THERMISTOR OIA/130E
R13 1K 10% RESISTOR	R32 4.7Ω 10% RESISTOR
R14 6.8K 10% RESISTOR	R33 1.8K 10% RESISTOR
R15 1K 10% RESISTOR	R34 15K VARIABLE RESISTOR
R16 10K TONE CONTROL S.P.S.T.	R35 47Ω W/W RESISTOR
R17 5.6K 10% RESISTOR	R36 10K 10% RESISTOR
R18 47K 10% RESISTOR	R37 330Ω 10% RESISTOR
R19 10K POTENTIOMETER D.P.S.T.	

C1 100PF 600V MOULDED CAPACITOR
C2 1μF 200V MOULDED CAPACITOR
C3 .04μF 200V MOULDED CAPACITOR
C4 .04μF 200V MOULDED CAPACITOR
C5 5000PF CERAMIC CAPACITOR
C6 .04μF 200V MOULDED CAPACITOR
C7 .04μF 200V MOULDED CAPACITOR
C8 .01μF 200V MOULDED CAPACITOR
C9 .04μF 200V MOULDED CAPACITOR
C10 4700 PF CERAMIC CAPACITOR
C11 475PF MICA CAPACITOR
C12 15PF N.P.O. CERAMIC CAPACITOR
C13 .04μF 200V MOULDED CAPACITOR
C14 100PF 5% MICA CAPACITOR
C15 .04μF 200V MOULDED CAPACITOR
C16 100PF 200V MOULDED CAPACITOR
C17 .04μF 200V MOULDED CAPACITOR
C18 .2μF 200V MOULDED CAPACITOR

C19 .14μF 200V MOULDED CAPACITOR
C20 330PF 5% MICA CAPACITOR
C21 .04μF 200V MOULDED CAPACITOR
C22 1μF 200V MOULDED CAPACITOR
C23 33PF N.P.O. CERAMIC CAPACITOR
C24 330PF 5% MICA CAPACITOR
C25 .02μF 400V MOULDED CAPACITOR
C26 .01μF 400V MOULDED CAPACITOR
C27 .04μF 200V MOULDED CAPACITOR
EC1 2μF 12V ELECTRO
EC2 75μF 12V ELECTRO
EC3 2μF 12V ELECTRO
EC4 2μF 12V ELECTRO
EC5 50μF 12V ELECTRO
EC6 25μF 12V ELECTRO
EC7 75μF 12V ELECTRO
EC8 500μF 15V ELECTRO
EC9 75μF 12V ELECTRO
DIAL LAMP 12V 3W

L1 AERIAL CHOKE L210
L2 AERIAL COIL 719
L3 FERRITE ROD AERIAL 718
L4 RF COIL 729
L5 OSC COIL 739
G1 } 3 GANG TUNING CAPACITOR
G2 } 10...450PF
G3 } 10PF BUTTON CERAMIC
BC1 1000PF BUTTON CERAMIC
BC2 2PLATE TRIMMER
TR1 2PLATE TRIMMER
TR2 2PLATE TRIMMER
TR3 3.30PF AIR TRIMMER
TR4 2PLATE TRIMMER
TR5 3.30 AIR TRIMMER
IF1 455KC TRANS TYPE 919
IF2 455KC TRANS. TYPE 9181
DRIVER TRANS. TYPE 524
T1 SPEAKER TRANS. 430I

BAND COVERAGE 530-1620 KC/5
IF FREQUENCY 455 KC

TOTAL BATTERY CURRENT 14MA. ZERO SIGNAL.

COLLECTOR CURRENT OF O/P STAGE 4.5 MA.
FOR ZERO SIGNAL. (ADJUST R33)

ALL RESISTORS 1/2 WATT RATING
UNLESS OTHERWISE STATED

NOTE: ALL VOTAGES CHECKED WITH 40,000 O.P.V. METER
AT ZERO SIGNAL INPUT.

DO NOT OPERATE SET WITHOUT
SPEAKER CONNECTED.

