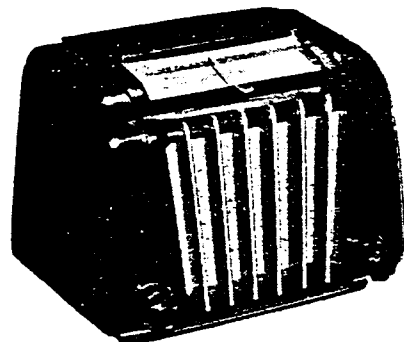


PHILIPS RADIOPLAYER

MODEL 130A

SPECIFICATIONS



(Subject to alteration without notice)

Tuning Range	530-1620kc/s.
Intermediate Frequency	455kc/s.
Cabinet	Moulded bakelite mantel.
Battery Equipment	2 x 45V heavy duty plug-in type and 1 x 1.5V plug-in type, dry batteries.
Battery Consumption	"A", 0.25A. "B", 14mA.

VALVE EQUIPMENT AND VOLTAGE ANALYSIS

Valve Function	Valve No.	Valve Type	Plate Volts	Screen Volts	Bias Volts	Bias Resistor
Frequency Converter	V1	1R5	85	42	0	—
I.F. Amplifier	V2	1T4	85	54	0	—
Demodulator, A.V.C. and 1st Audio	V3	1S5	10	10	0	—
Power Amplifier	V4	3V4	82	85	-5.4	R11

NOTE: These voltages are measured with an "1,000 ohms per volt" meter, and may vary \pm 10% from the figures quoted. They are measured from the socket points indicated, or resistor quoted, to chassis. The receiver should be in a "no signal" condition.

TO REMOVE CHASSIS FROM CABINET.

Remove plugs from batteries. Remove the two control knobs—a firm pull is all that is required. Remove the combined back and bottom cover. The chassis is held to the cabinet by four screws, two at the top of the metal speaker plate and two at the bottom. After these screws have been removed, the chassis may be withdrawn from the cabinet.

The chassis may be refitted to the cabinet by a reversal of the above procedure.

DIAL CALIBRATION.

If station calibrations are incorrect by an equal amount over the dial scale, the condition can be corrected by moving the dial cursor assembly on the dial drive cord.

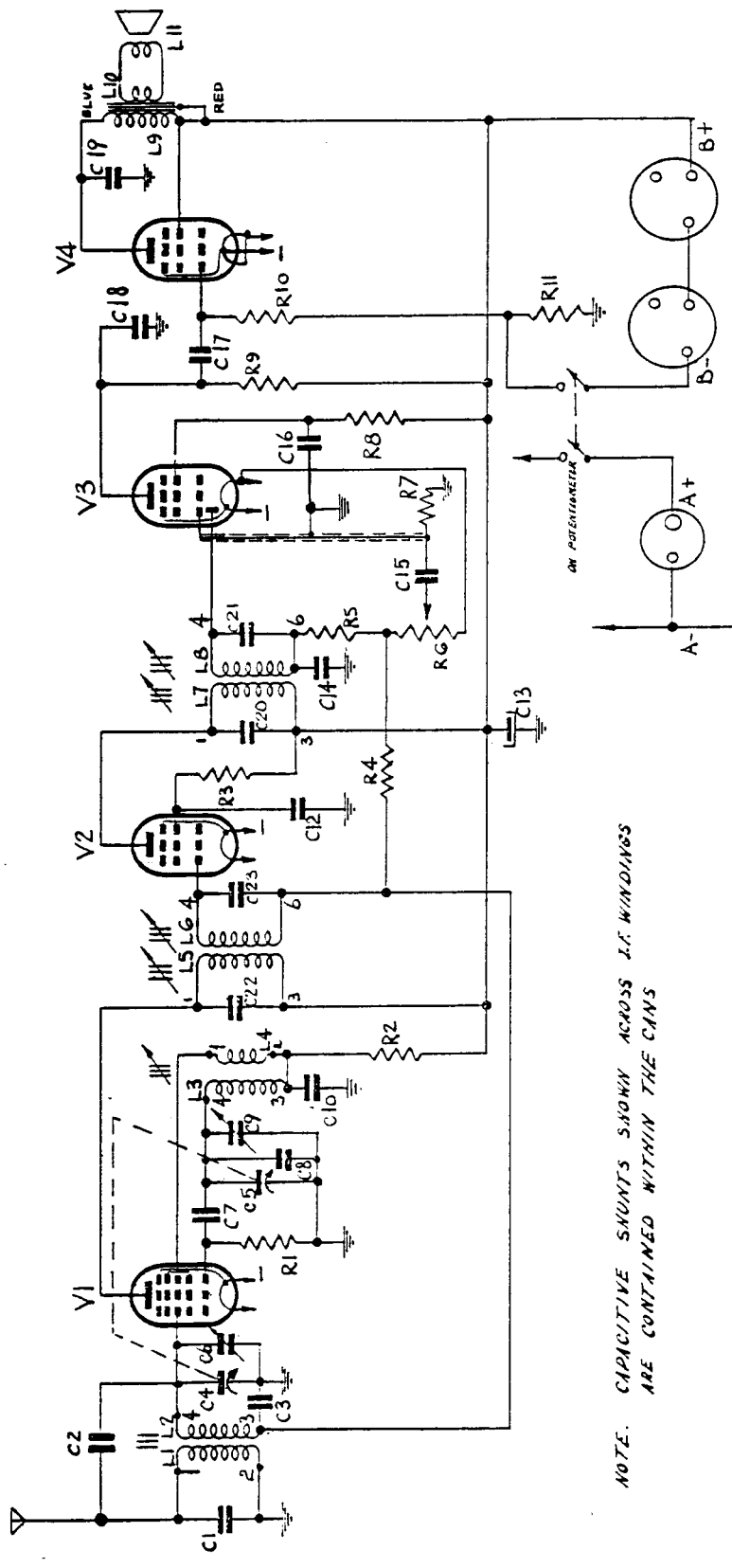
ALIGNMENT.

The iron cores for the secondaries of the I.F. transformers are in the top of the cans; those for the primaries are in the bottom.

Before commencing alignment, set the dial cursor with the tuning gang fully closed at the stop mark on the top edge of the dial back plate.

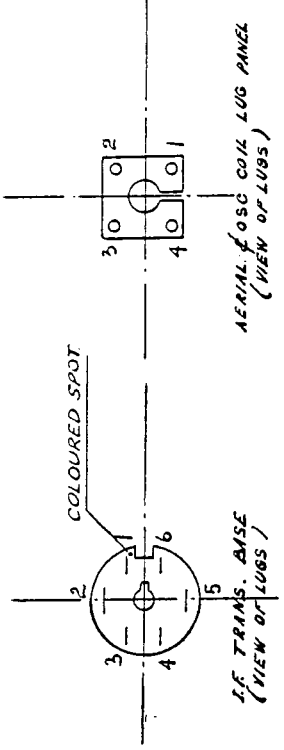
Broadcast band alignment frequencies are 1,420 kc/s. and 600 kc/s. Capacitive trimmer adjustments are used at 1,420 kc/s.; the iron core of the oscillator coil is used for padding at 600 kc/s. **Do not attempt to adjust the aerial coil iron core.**

L	1, 2	3, 4	5, 6	7, 8	9, 10, 11, 12	13	14, 15, 16, 17, 18	19	20, 21, 22	23	24	25	26	27	28	29	30	31	32	33	34	35	36	37	38	39	40	41	42	43	44	45	46	47	48	49	50
C	1	2, 3, 4, 6	7	5, 8, 9, 10	2	11	12, 13, 14, 15, 16, 17, 18	19	20, 21, 22, 23	24	25	26	27	28	29	30	31	32	33	34	35	36	37	38	39	40	41	42	43	44	45	46	47	48	49	50	
R																																					
V																																					



BOTTOM VIEW OF PLUGS

NOTE. CAPACITIVE SHUNTS SHOWN ACROSS I.F. WINDINGS ARE CONTAINED WITHIN THE CANS



AERIAL OSC COIL LUG PANEL (VIEW OF LUGS)

I.F. TRANS. AISL (VIEW OF LUGS)

PARTS LISTS

CAPACITORS

No.	Description	Code No.
C1-7	100 pF mica 10%	
C2	5 pF mica	
C3	0.02 mF 400V paper	
C4-5	2 gang tuning	CZ.107.746
C6-9	30 pF air trimmer	CZ.113.700
C8	20 pF mica 10%	
C10	450 pF mica 2%	
C11	0.002 mF mica 10%	
C12-15-17	0.01 mF 600V paper	
C13	24 mF 350V electrolytic	
C14-18	100 pF ceramic 10%	CZ.096.602
C16	0.1 mF 200V paper	
C19	0.004 mF 600V paper	
C20-21-22	100 pF mica 5%	
C23	80 pF mica 5%	

RESISTORS

No.	Description	Code No.
R1	100,000 ohms ½W carbon	
R2-3	20,000 ohms 1W carbon	
R4-10	3 megohms ½W carbon	
R5	50,000 ohms ½W carbon	
R6	1 megohm carbon switch potentiometer	CZ.032.302
R7	10 megohms 1W carbon	
R8	2 megohms 1W carbon	
R9	0.5 megohm ½W carbon	
R11	450 ohms 1W W/W 5%	

COILS

No.	Ohms	Description	Code No.
L1	28	Aerial Coil (2 blue spots)	CZ.323.007
L2	2		
L3	3	Oscillator Coil (1 blue spot)	CZ.330.602
L4	1		
L5	12	1st I.F. Transformer	CZ.320.423
L6	12		
L7	12	2nd I.F. Transformer	CZ.320.424
L8	12		
L9	520	Speaker and Transformer 8,000 ohms	CZ.161.110
L10	3		
L11	<0.5		

IMPORTANT! In ordering spare parts, quote CODE NUMBER of part and MODEL NUMBER of Radioplayer. In claiming free replacement under GUARANTEE, return defective part PROMPTLY and quote MODEL and SERIAL NUMBER of Radioplayer and DATE OF PURCHASE.

MISCELLANEOUS COMPONENTS

No. on Dial Parts Diagram	Description	Code No.	No. on Dial Parts Diagram	Description	Code No.
—	Assembly, cursor and slider	CR.480.633	1	Drum, dial	CS.360.005
—	Assembly, speaker plate	CR.005.005	—	Glass, dial	CS.412.323
7	Assembly, tuning spindle	CR.371.213	—	Knob, brown (ivory cabinet)	CS.432.615
—	Back, cabinet	CS.462.056	—	Knob, walnut (walnut cabinet)	CS.432.620
—	Badge, Philips	CS.436.414	—	Plate, dial back	CS.034.003
—	Bracket, cabinet back mounting	CS.244.603	—	Plug, 2 pin polarised	CR.102.200
—	Cabinet, walnut	CS.460.489	—	Plug, 3 pin polarised	CZ.365.204
—	Cabinet, ivory	CS.460.497	6	Pulley, wooden	CS.360.201
—	Clamp, dial	CS.228.561	3	Ring, dial cord	CS.281.807
—	Clip, coil can mounting	CS.235.833	—	Ring, rubber (dial glass mtg.)	CS.433.406
5	Cord, dial	CS.361.824	2	Spring, dial drum	CS.210.020
4	Cord, drum	CS.361.823	—	Washer, felt (knobs)	CS.424.049

