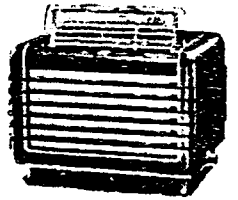


PHILIPS RADIOPLAYER

MODEL 126



SPECIFICATIONS

(Subject to alteration without notice.)

Tuning Range	535-1,620 Kc/s
Intermediate Frequency	455 Kc/s
Cabinet	Walnut bakelite mantel
Battery Equipment	2 x 45V heavy duty plug-in type, and 1 x 1.5V plug-in type, dry batteries
Battery Consumption	"A" 0.25A. "B" 12.5mA.

VALVE EQUIPMENT AND VOLTAGE ANALYSIS

Valve Function	Valve No.	Valve Type	Plate Volts	Screen Volts	Bias Volts	Bias Resistor
Frequency Converter	V1	1R5	85	43	0	—
I.F. Amplifier	V2	1T4	85	56	0	—
Demodulator, A.V.C. and 1st Audio	V3	1S5	10	10	0	—
Power Amplifier	V4	1Q5GT	85	85	-5	R11

NOTE: These voltages are measured with a "1,000 ohms per volt" meter, and may vary \pm 10% from the figures quoted. They are measured from the socket points indicated, or resistor quoted, to chassis. The receiver should be in a "no signal" condition.

TO REMOVE CHASSIS FROM CABINET.

Remove plug from batteries. Withdraw dial glass from cabinet, and fold dial pointer down into the dial glass recess. Remove the chassis bottom cover, mounted by means of two trimount studs, and one screw. Access is now obtained to the control knob grub screws, and the knobs may be removed. Remove four screws holding the chassis to the cabinet, two at the rear of the chassis, and two at the ends of the gantry top bracket. After removal of the speaker clamp the chassis may be withdrawn. Replacement of the chassis is carried out by a reversal of the above procedure.

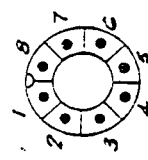
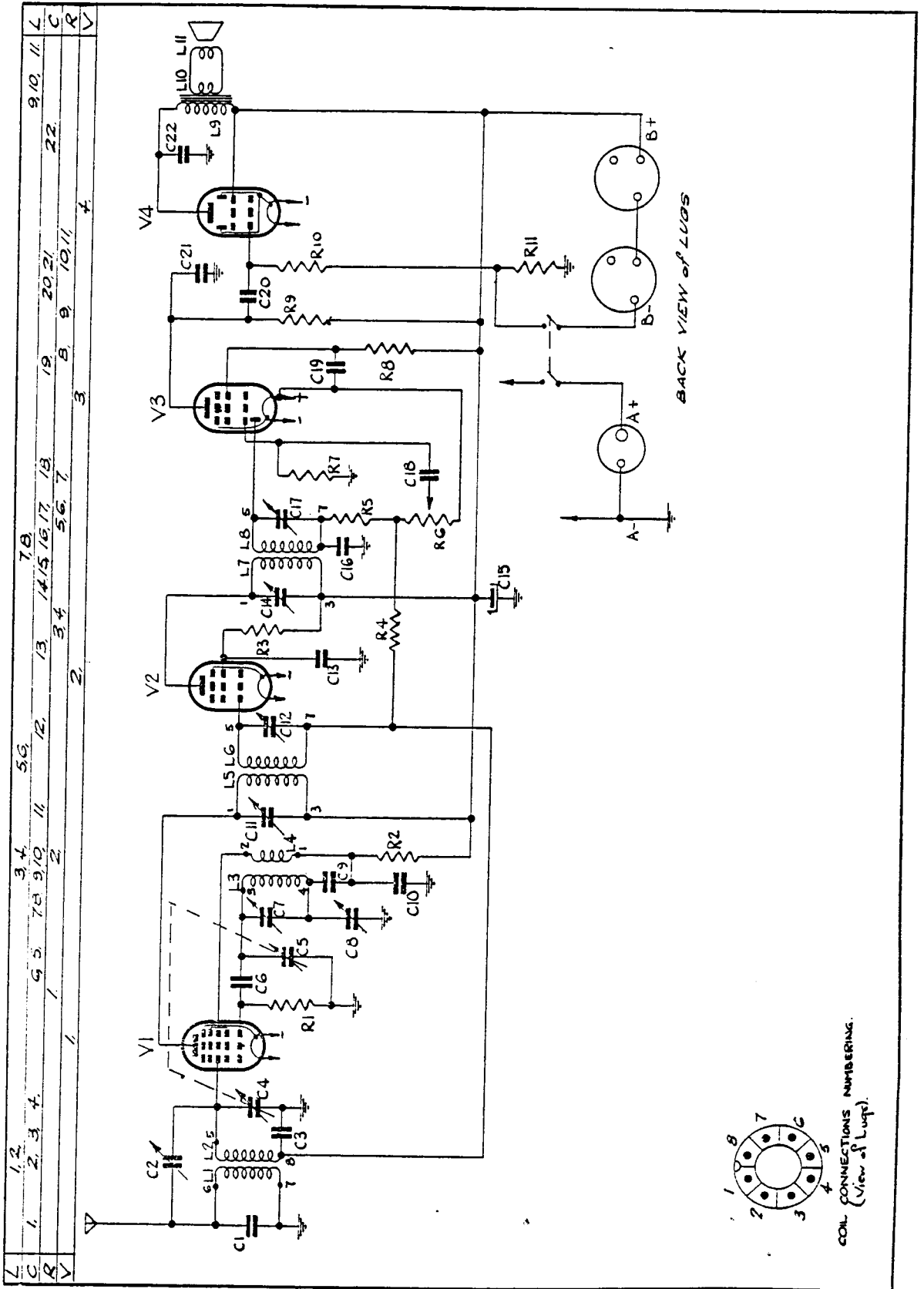
DIAL CALIBRATION.

If station calibrations are incorrect by an equal amount over the dial scale, the condition may be corrected by loosening the thumb screw which holds the pointer assembly to the dial cord, adjusting the pointer to correct calibration and re-tightening the screw.

ALIGNMENT.

Removal of the cabinet bottom cover allows sufficient access to the under chassis components to carry out alignment operations.

Before commencing broadcast alignment, fully close the tuning gang, and set the pointer by means of its clamping screw in line with the R.H. vertical stroke of "N" in the letters "N.S.W." at the R.H. end of the dial scale.



CONNECTIONS NUMBERING.
(View of Lug)

BACK VIEW OF LUGS

L	1, 2	3, 4	5, 6	7, 8	9, 10, 11	12	13	14, 15, 16, 17	18	19	20, 21	22	23
C	1	2, 3, 4	5, 6, 7, 8, 9, 10	11	12	13	14, 15, 16, 17	18	19	20	21	22	23
R	1	2	3	4	5	6	7	8	9	10	11	12	13
V	1	2	3	4	5	6	7	8	9	10	11	12	13

PARTS LISTS

CAPACITORS

No.	Description	Code No.
C1	150 pF mica	
C2-7	30 pF air trimmer	CZ.113.700
C3-19	0.1 mF 200V paper	
C4-5	2 gang tuning	CZ.107.734
C6-16-21	100 pF ceramic	CZ.096.602
C5 11 12 14 17	125 pF ceramic trimmer	CZ.118.200
C9	460 pF mica	
C10	0.002 mF mica	
C13-18-20	0.01 mF 600V paper	
C15	24 mF 350V electrolytic	
C22	0.006 mF 600V paper	

RESISTORS

No.	Description	Code No.
R1-5	50,000 ohms 1/2W carbon	
R2	15,000 ohms 1W carbon	
R3	20,000 ohms 1W carbon	
R4-10	1 megohm 1/2W carbon	
R6	0.5 megohm switch potentiometer	CZ.032.000
R7	5 megohms 1W carbon	
R8	2 megohms 1W carbon	
R9	0.5 megohms 1W carbon	
R11	400 ohms 1W carbon	

COILS

No.	Ohms	Description	Code No.
L1	22	Aerial and Oscillator Coil	CZ.320.022
L2	3.5		
L3	4.5		
L4	2.3		
L5	4.2	1st I.F. Transformer	CZ.320.419
L6	4.2		
L7	14	2nd I.F. Transformer	CZ.320.609
L8	14		
L9	5.20	Speaker and Transformer, 8,000 ohms	CZ.161.110
L10	3		
L11	<0.5		

IMPORTANT! In ordering spare parts, quote **CODE NUMBER** of part and **MODEL NUMBER** of Radioplayer. In claiming free replacement under **GUARANTEE**, return defective part **PROMPTLY** and quote **MODEL** and **SERIAL NUMBER** of Radioplayer and **DATE OF PURCHASE**.

MISCELLANEOUS COMPONENTS

No. on Dial Parts Diagram	Description	Code No.	No. on Dial Parts Diagram	Description	Code No.
—	Assembly, baffle	CR.005.002	—	Cover, cabinet bottom	CS.462.055
—	Assembly, cursor	CR.480.611	—	Glass, dial, printed	CS.412.269
1	Assembly, dial drum	CR.382.200	—	Grommet, battery cable	CS.422.442
2	Assembly, gantry	CR.304.603	—	Grommet, speaker leads	CS.422.411
3	Assembly, pulley spindle	CR.436.202	—	Knob, walnut	CR.523.637
—	Assembly, terminal	CZ.376.200	—	Plug, 2-pin polarised	CR.102.200
—	Badge, Philips (water transfer)	CS.442.024	—	Plug, 3-pin polarised	CZ.365.204
—	Bracket, slide rod, L.H.	CS.228.431	4	Pulley, dial drive	CS.360.201
—	Bracket, slide rod, R.H.	CS.228.430	—	Ring "C" (tuning and pulley spindles)	CS.281.801
—	Cabinet, walnut	CS.460.468	—	Ring, dial cord	CS.281.807
—	Clamp, baffle	CS.235.814	—	Rod, dial slide	CS.382.206
—	Clamp, dial glass, L.H.	CS.234.816	—	Socket, min. valve	CZ.369.317
—	Clamp, dial glass, R.H.	CS.234.815	—	Socket, octal wafer	CZ.369.500
—	Clamp, speaker	CS.235.812	9	Spindle, tuning	CS.351.219
7	Cord, dial	CR.384.808	5	Spring, dial drum (long)	CS.210.008
8	Cord, drum	CS.361.809	6	Spring, dial drum (short)	CS.210.011

