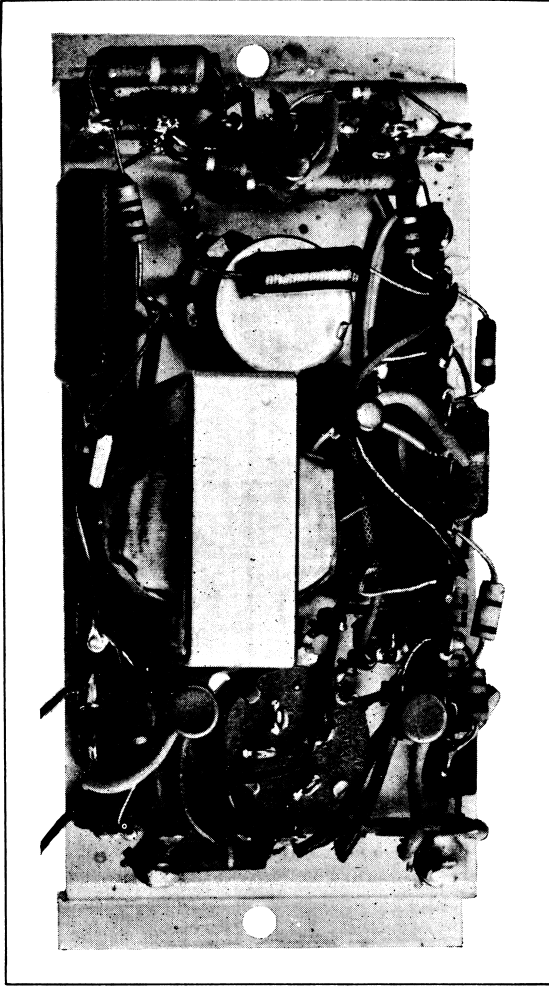
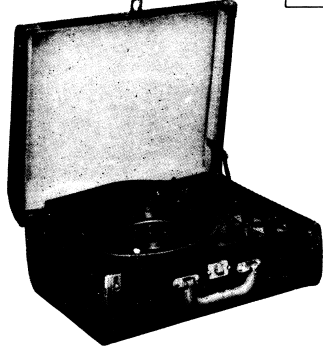


1 2 3 4 5 6 7 8 9 10 11 12 13 14 15 16 17

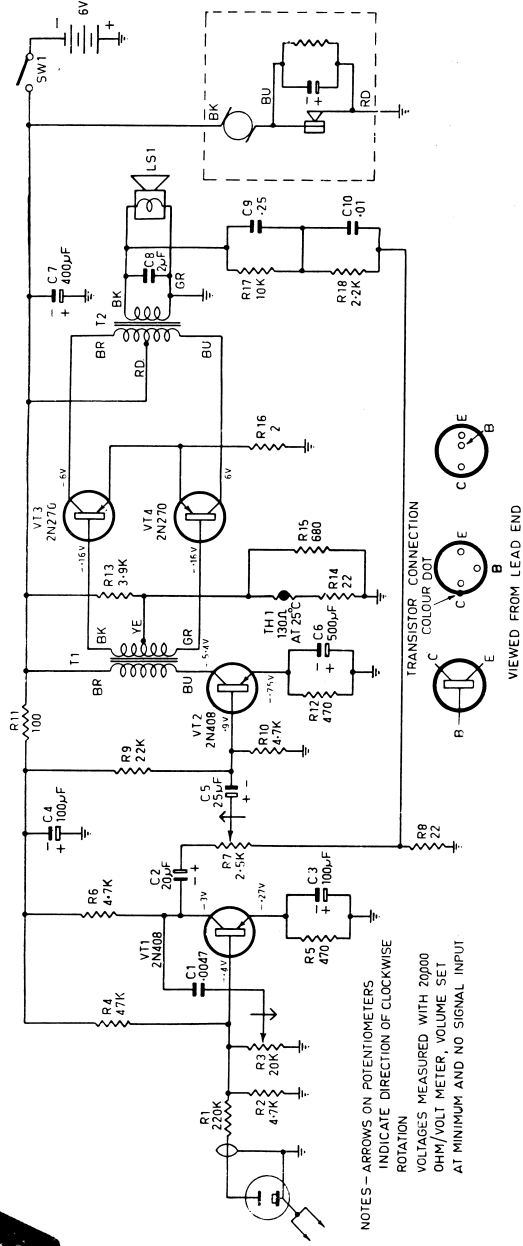
A B C D E F G H J



A B C D E F G H J



1 2 3 4 5 6 7 8 9 10 11 12 13 14 15 16 17



NOTES - ARROWS ON POTENTIOMETERS INDICATE DIRECTION OF CLOCKWISE ROTATION
 VOLTAGES MEASURED WITH 20000 OHM/VOLT METER, VOLUME SET AT MINIMUM AND NO SIGNAL INPUT

Note: C4 is now a 500µF 18 VW Electrolytic. Code No. 229853.

Code No.	Description	Part No.	Location	Code No.	Description	Part No.	Location
RESISTORS							
R1	All Resistors ± 10% otherwise stated	Carbon unless stated		C1	0.0047 µF 400 volt working paper	225973	G15
R2	220K ohms			C2	20 µF 12 volt working Electrolytic	229307	E15
R3	4.7K ohms		G16	C3	100 µF 3 volt working Electrolytic	229706	C17
R4	20K ohms		F16	C4	100 µF 10 volt working Electrolytic	229704	B13
R5	470 ohms		E5	C5	25 µF 3 volt working Electrolytic	229562	F13
R6	470 ohms		D15	C6	500 µF 3 volt working Electrolytic	229854	G10
R7	2.5K ohms		C17	C7	400 µF 10 volt working Electrolytic	223111	On Motor Board
R8	22 ohms		E15	C8	2 µF 200 volt working Hunts W48	229394	On LS1
R9	22K ohms		B14	C9	0.25 µF 200 volt working Hunts	229007	C5
R10	4.7K ohms		J12	C10	0.01 µF 200 volt working paper	226310	B9
R11	100 ohms		G14	MISCELLANEOUS			
R12	470 ohms		J10	T1	Driver Transformer	38146A	D9
R13	3.9K ohms		J10	T2	Output Transformer	38149A	On LS1
R14	22 ohms		J7	VT1	AWV 2N408	906492	E15
R15	680 ohms		J5	VT2	AWV 2N408	906492	G10
R16	2 ohms		H4	VT3	AWV 2N270	906485	C5
R17	10K ohms		D2	VT4	AWV 2N270	906485	H5
R18	2.2K ohms		C5	TH1	130 ohms at 25° C. N.T.C. Thermistor	893703	J5
			B9	LS1	5" Permanent Magnet Loudspeaker	21620	J5