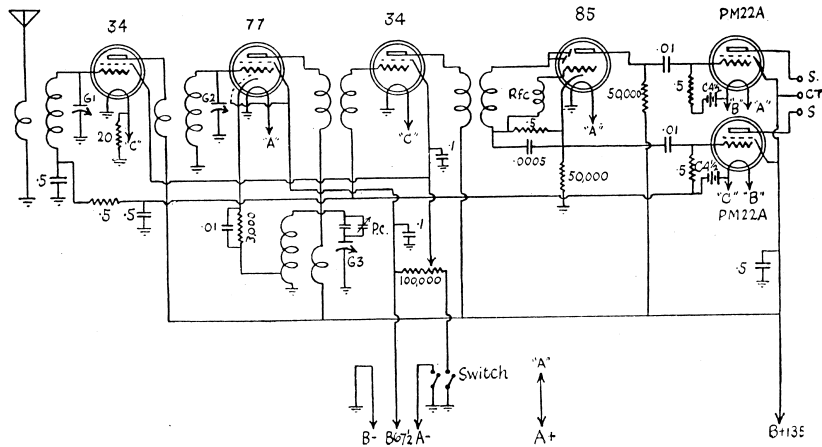


# Radiokes 1933 Standard Battery Superhet.

**SPECIFIED VALVES TO BE USED.**

- 2 34 Radiotron
- 1 77 Radiotron or Kenrad
- 1 85 Radiotron
- 2 P.M. 22A's Mullard



**SPECIFIED SPEAKER TO BE USED.**

"O" 1 Amplion

## COMPONENTS OF THE 1933 STANDARD BATTERY SUPERHET.

TYPE 12-57. PRICE: £7/15/-.

- |  |  |
|--|--|
| <ul style="list-style-type: none"> <li>1 Chassis.</li> <li>1 Superhet Coil Kit 5-33.</li> <li>1 .0005 Mica Condenser, T.C.C.</li> <li>3 .01 M.F.D. Chanex, tubular.</li> <li>2 .1 Condenser Chanex, tubular.</li> <li>1 3 X .5 Block Condenser, 1,500 D.C. Test, Chanex.</li> <li>1 20 ohm. wire wound Resistor.</li> <li>1 3,000 ohm. wire wound Resistor. Maxome, 50 M/A.</li> <li>1 100,000 ohm. pot. Bradlyometer.</li> <li>2 50,000 Radiokes Resistor. Maxome, 5 M/A.</li> <li>4 500,000 ohm. Grid Leaks, Ohiohm.</li> <li>1 Radiokes R.F. Choke.</li> <li>2 Valve Shields.</li> <li>2 4 Pin Sockets</li> <li>2 6 Pin Sockets</li> <li>3 5 Pin Sockets</li> <li>1 7-Pin Socket.</li> <li>4 Screen Grid Clips.</li> <li>1 7-Pin Speaker Plug.</li> <li>1 5 Pin Speaker Plug (Marquis).</li> <li>1 Yard of Battery Cable, 5 way.</li> <li>1 Pan Dial.</li> <li>1 1/2 x 1/8 Round Head Screw.</li> <li>1 1/8 in. Hex. Nut</li> </ul> | <p style="text-align: center;">} James.</p> <ul style="list-style-type: none"> <li>1 7/16 in. Fibre Washer, 3/16 in. hole.</li> <li>1 1/4 in. Spacer.</li> <li>3 Bakelite Knobs.</li> <li>2 Nickel Terminals.</li> <li>1 D.P.S.T. Switch.</li> <li>3 7/8 in. Fibre Insulating Washers.</li> <li>6 7/16 in. x 3/16 in. Fibre Insulating Washers.</li> <li>1 5/16 in. x 1/8 in. Fibre Insulating Washer</li> <li>14 3/8 x 1/8 Rd. Hd. Screws.</li> <li>12 3/8 in. x 1/8 in. Countersunk Screws.</li> <li>7 Soldering Lugs.</li> <li>2 7/8 in. x 1/8 in. Rd. Head Screws.</li> <li>36 1/8 in. Hexagon Nuts.</li> <li>6 Yards of 18 Gauge Tinned Copper Wire.</li> <li>6 Yards of Black Spaghetti (very small).</li> <li>1 Yard of Fried Wire.</li> <li>6 ins. of Copper Braiding.</li> <li>2 34 Radiotron.</li> <li>1 77 Radiotron or Kenrad.</li> <li>1 85 Radiotron.</li> <li>2 P.M. 22A's Mullard.</li> <li>1 Speaker, Amplion Permagnetic type "O" 1.</li> <li>1 yd. Battery Cable, 4-way.</li> </ul> |
|--|--|