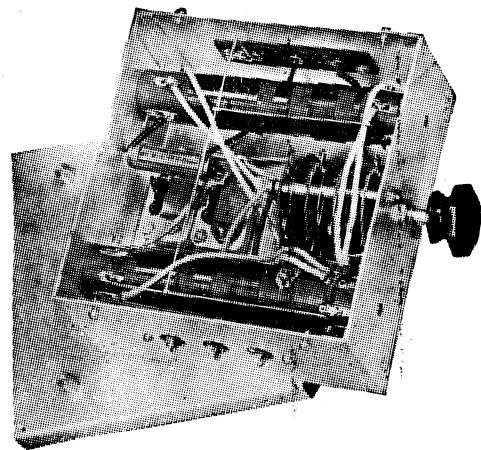
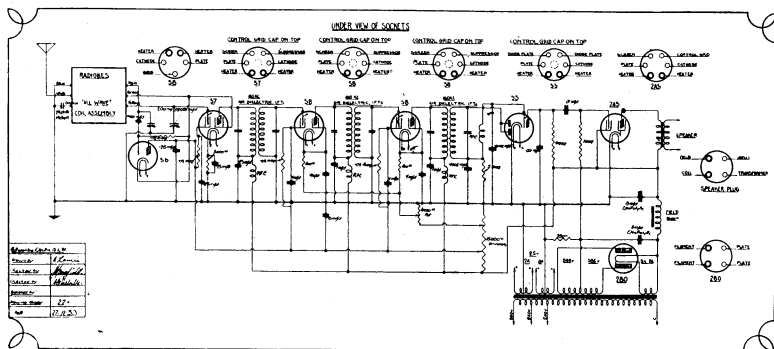
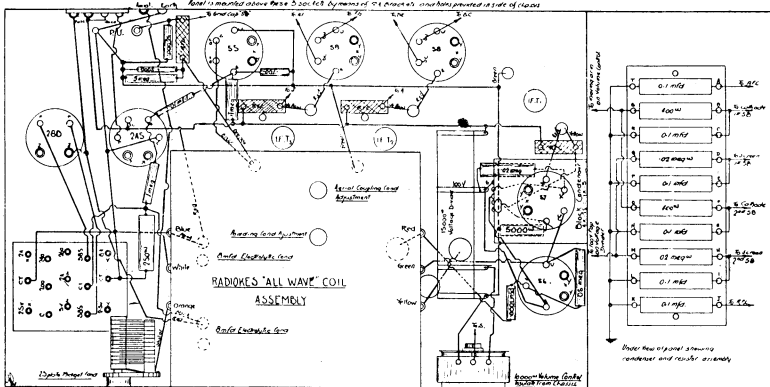


International All-wave 7-valve Superhet. Type 12-42



**RADIOKES ALL-WAVE
COIL ASSEMBLY 3.42A**
Price, £2/19/6.

RADIOKES KIT-SET TYPE 12-42
Price, £14/5/-. COMPRISES:—



- 1 Chassis with Terminal Strips and Tube Sockets.
- 1 Radiokes All-Wave Coil Assembly, Type 3-42A.
- 1 Radiokes new type Power Transformer, 75 m/a, 1-4
- 1 Stromberg-Carlson 2-gang, .00037 mfd.
- 1 Helesby Block Condenser (4 x .25 and 1 x .5).
- 1 .001 mfd. T.C.C. Mica Condenser.
- 1 .0005 mfd. T.C.C. Mica Condenser.
- 1 .0001 mfd. T.C.C. Mica Condenser.
- 1 .01 mfd. T.C.C. Mica Condenser.
- 1 Radiokes Calibrated Drum Dial.
- 1 Radiokes 23-plate Midget Condenser, 6-27.
- 3 Radiokes Air-tuned 460 K.C. Trans formers, 5-14.
- 1 Radiokes 10,000 ohm. Potentiometer with insulating washers, 8-6.
- 1 Radiokes 250 ohm. Pigtail Resistor.
- 2 Radiokes 400 ohm. Pigtail Resistor.
- 1 Radiokes 5,000 ohm. Pigtail Resistor.
- 1 Radiokes 100,000 ohm. Pigtail Resistor.
- 3 Radiokes 20,000 ohm. Pigtail Resistor.
- 1 Radiokes 15,000 ohm. Voltage Divider, 4-24.
- 4 Radiokes R.F. Chokes.
- 1 .5 meg. Ohiohm or I.R.C.
- 1 1.0 meg. Ohiohm or I.R.C.
- 1 .05 meg. Ohiohm or I.R.C.
- 2 Dulytic 8 mfd. electrolytic Condensers, 500 volt.
- 6 .1 mfd. Tubular Condensers, Chanex.
- 5 new type Valve Cans (Arnold and Nunn, or the equivalent).
- 4 N.P. Terminals.
- 3 1/4 in. Condenser Gang Grummetts.
- 3 Knobs
- 12 1/4 in. x 1/8 in. round head Whitworth Screws.
- 3 3/4 in. x 1/8 in. Countersunk Head Screws.
- 20 1/8 in. Whitworth Hexagon Nuts.
- 1 Crummett for Power Flex.
- 1 length Power Flex (3 yards).
- 20ft. Essex Hook-up Wire.
- 1 3.5 volt Pilot Bulb.
- 3ft. 18 gauge Tinned Copper Wire.
- 1 T.50 Resistor Strip.

The "International Super" has the following features:
Radiokes all-wave tuning unit consisting of four separate wave bands (three overlapping, short wave bands, and one broadcast band).

Special switch changes to the four wave bands.
Air tuned, stabilized, two stage intermediate channel.
Special electron coupled oscillator, eight tuned stages.
Diode detection using 55 valve.
2A5 output.
An Isolantite insulated padding condenser and special aerial coupling condenser are built into the unit and can be adjusted from the bottom of the chassis.

Special Radiokes drum dial calibrated in kilocycles for the broadcast band and in degrees for the short wave bands.
A chassis built up from this kit-set was tested under ordinary home conditions, using a 25ft. aerial. Local, interstate, and New Zealand stations were logged with ease—in fact, thirty-seven stations on the broadcast band were logged in less than 3/4 hour. On the short-wave bands, as well as the Telephone service and Radio Manilla—dozens of stations were heard, including:—

- R.N.E., Moscow
- W.O.P., New York
- G.S.D., Daventry
- F.Y.A., Paris
- J.Z.A.A., Japan
- P.H.I., Holland

Two British stations at London and Chelmsford,
Three stations in a foreign language.

- Valves for International Super, 12-42:**
1—80, 1—56, 1—57, 2—58, 1—55, 1—2A5.
- Valve Sockets:**
1—56, 1—57, 2—58, 1—55, 1—2A5, 1—80; 1 std. four-pin Speaker Socket (Tasma).
- Speaker:**
Amplon, Magnavox, Jensen, Jubilee, 2,500 ohm. field, 2A5 output.