

"Superbe" A.V.C. 6-Valve Superhet. Receiver Type 12-36

RADIOKES COIL KIT TYPE 5-36

COMPRISES THE FOLLOWING:—

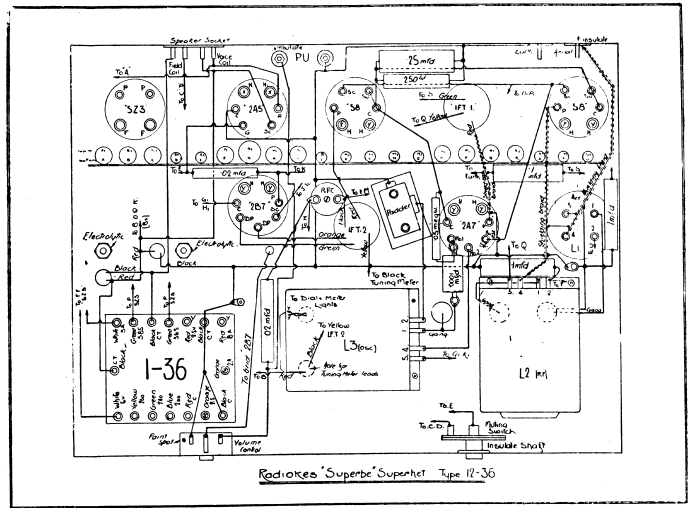
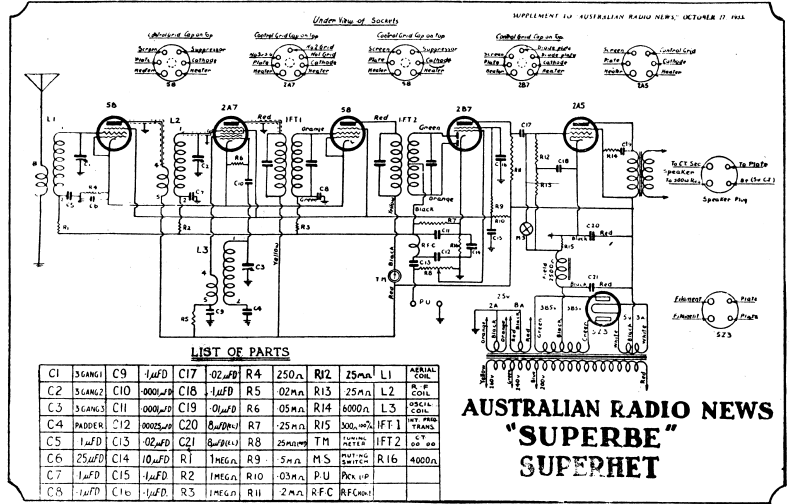
- 1 Aerial Coil, 1 R.F. Coil, 1 Osc. Coil.
- 1 175 k.c. I.F. Transformer.
- 1 175 k.c. I.F. Transformer, centre tapped.
- 1 11-plate Isolantite Padder, screw on left.
- 1 Stromberg-Carlson type D.3 Gang Condenser, std. spindle, anti-clockwise.

RADIOKES KIT-SET TYPE 12-36

PRICE: £12/12/-.

COMPRISES:—

- 1 Radiokes 1-36 Power Transformer (5v. fil., C.T.).
- 1 Radiokes Visor Drum Dial Type 7-10.
- 1 Efco 5/6 mil. Tuning Meter.
- 1 Radiokes 3-20 H.C. R.F. Choke with Z bracket.
- 1 Radiokes 30,000 ohm. 7½ m.a. Maxome.
- 1 " 20,000 " 5 " "
- 1 " 6,000 " 5 " "
- 1 " 4,000 " 5 " "
- 1 " 300 " 100 " "
- 1 " 250 " 25 " "
- 1 " T.36 Resistor Panel.
- 3 " T.36 Panel Pillars, Special.
- 2 " Special R.A. Coil Brackets.
- 1 Chanex .25 mfd. Pigtail Condenser.
- 7 " .1 " " "
- 2 " .02 " " "
- 1 " .01 " " "
- 1 " .00025 " " "
- 1 " .0001 " " "
- 1 " 10 mfd. semi-dry Dulytic Condenser, 25v. work 40v. peak.
- 2 Chanex 8 mfd. semi-dry Dulytic Condensers.
- 3 I.R.C. 1 meg. Grid Leaks.
- 1 " .5 " " "
- 3 " .25 " " "
- 1 " .2 " " "
- 1 " .05 " " "
- 1 T.C.C. .0001 Mica Condenser.
- 1 Bradleyometer, 500,000 ohm., tapered.
- 2 Osram 3.5v. Pilot Globes.
- 4 Acorn Valve Shields, 3 piece (inside fitting).
- 1 Acorn 13in. x 9½in. x 3¼in. chassis.
- 2 James No. 58 Valve Sockets, engraved.
- 1 " " 2A7 " " "
- 1 " " 2B7 " " "
- 1 " " 2A5 " " "
- 1 " " 5Z3 " " "
- 1 " 4 pin " " "
- 3 Knobs.
- 4 Grid Clips.
- 1 Tasma 2-way Rotary Switch.
- 3 Rubber Grummits.
- 7 yds. Black Essex Wire.



- 12in. 5/32in. x .003 Copper Braid.
 - 2 yds. 18g. Tinned Copper Wire.
 - 4 large N.P. Terminals.
 - 12 Solder Lugs, single end.
 - 2 Solder Lugs, single end, large.
 - 1 Solder Lug, single end, large hole.
 - 14 ⅜in. x ⅛in. Countersunk Screws.
 - 32 ⅜in. x ⅛in. Round Head Screws.
 - 2 ¾in. x ⅛in. Round Head Screws.
 - 4 ¼in. x ⅛in. Round Head Screws.
 - 36 ⅛in. Hexagon Nuts.
 - 4 5/32in. Hexagon Nuts.
 - 3 7/16in. Washers, p.p., with 5/16in. hole.
 - 2 7/8in. Washers, p.p., with 5/16in. hole.
 - 10 7/16in. Washers, fibre, with 5/32in. hole.
 - 6 5/16in. Washers, fibre, with 5/32in. hole x 1/32in. thick.
- VALVES REQUIRED: RADIOTRON—
2 No. 58, 1 No. 2A7, 1 No. 2B7, 1 No. 2A5, 1 No. 5Z3.
- SPEAKER REQUIRED: 1 Jubilee Speaker, 2,500 ohm. field, to match 2A5 valve.