

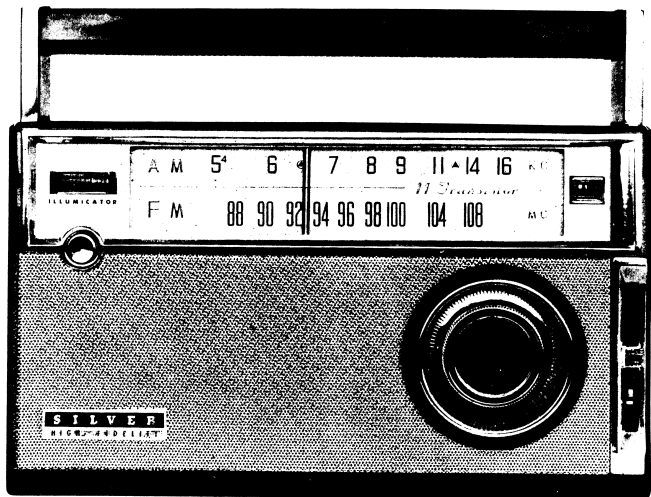


SILVER

FM/AM 11-Transistor Portable Radio

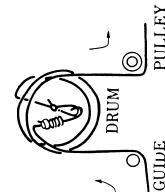
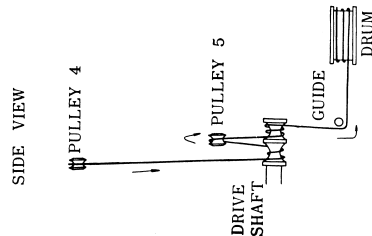
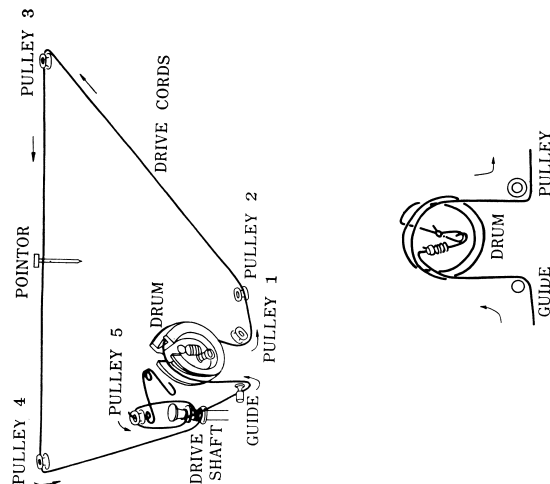
MODEL 11TF-520

SERVICE DATA
SHIRASUNA DENKI MFG. CO., LTD.

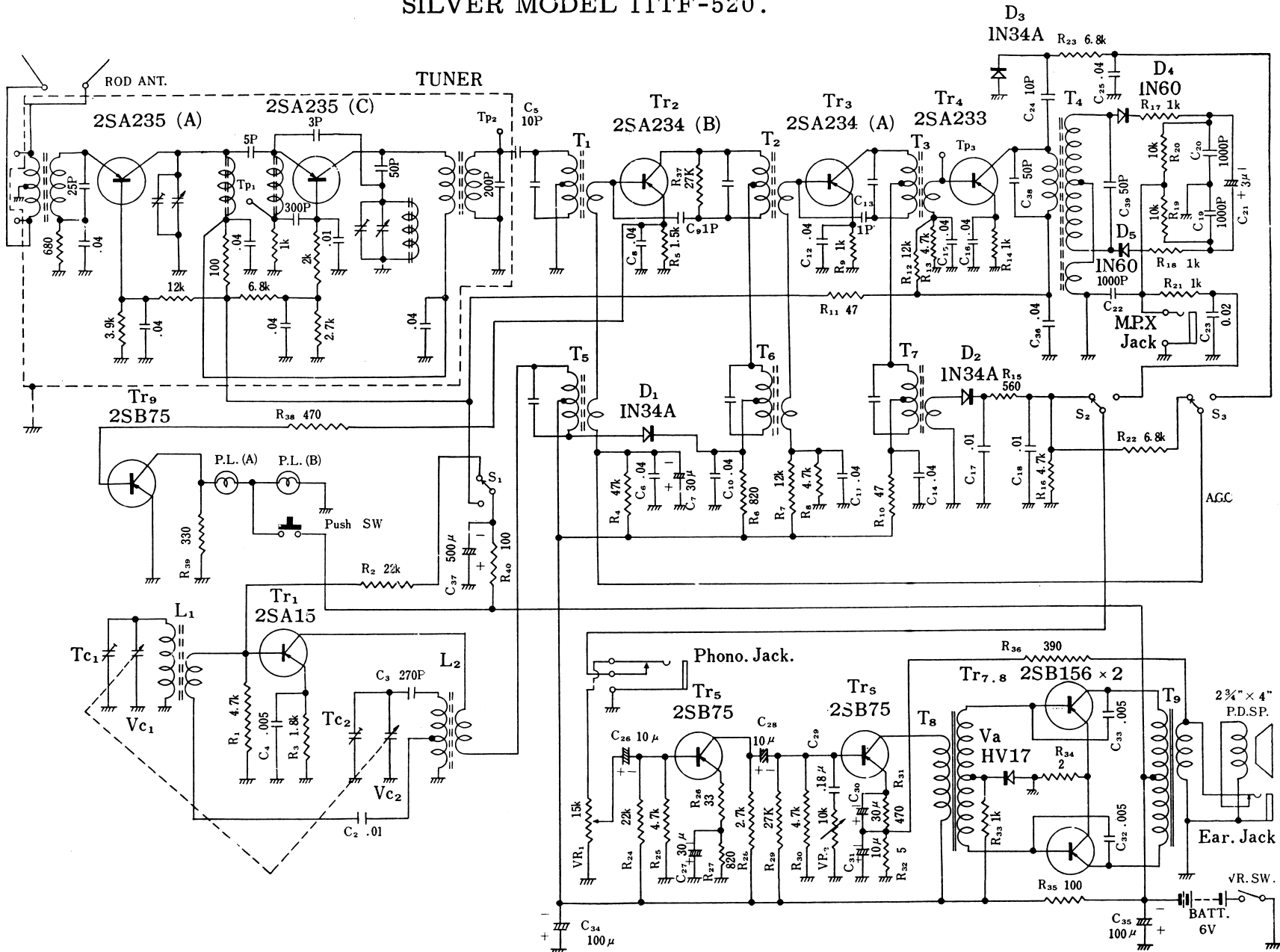


SPECIFICATIONS

| | | | |
|-------------------------------|---|--------------------------------|---|
| Tuning Range | FM : 88 - 108 MC AM : 535 - 1605 KC | Diode | 1N34A AM. A. G. C 1N34A AM Detector & A. G. C 1N34A FM A. G. C 1N60 FM Detector 1N60 FM Detector |
| Intermediate Frequency | FM : 10.7 MC AM : 455 KC | Varistor | HV17 Temperature Compensation |
| Antenna System | (1) AM: Built-in high gain ferrite bar (2) FM: 2 telescopic antennas. | Power Output | 450mW (maximum) 350mW (undistorted) |
| Transistor Complement | 2SA 235 FM Tuner 2SA 235 FM Tuner 2SA 15 AM conv. 2SA 234 AM FM I-F Amp. 2SA 234 AM FM I-F Amp. 2SA 233 FM I-F Amp. 2SB 75 Tuning indicator 2SB 75 A.F. Amp. 2SB 75 A.F. Amp. 2SB 156 Push-pull output 2SB 156 Push-pull output | Speaker | 2 3/4" x 4" Oval PM Dynamic speaker |
| | | Output & Input Jack | External speaker & Earphone jack Multiplex adapter & Phono jack 4 flashlight batteries (Eveready 635 or Berec U 11) |
| | | Battery | |
| | | Dimensions | 8 5/8" wide, 5" high, 2 5/8" deep |
| | | Weight | 3 lbs. 5 ozs. (with batteries) |



* VC MAX. (fully Close)

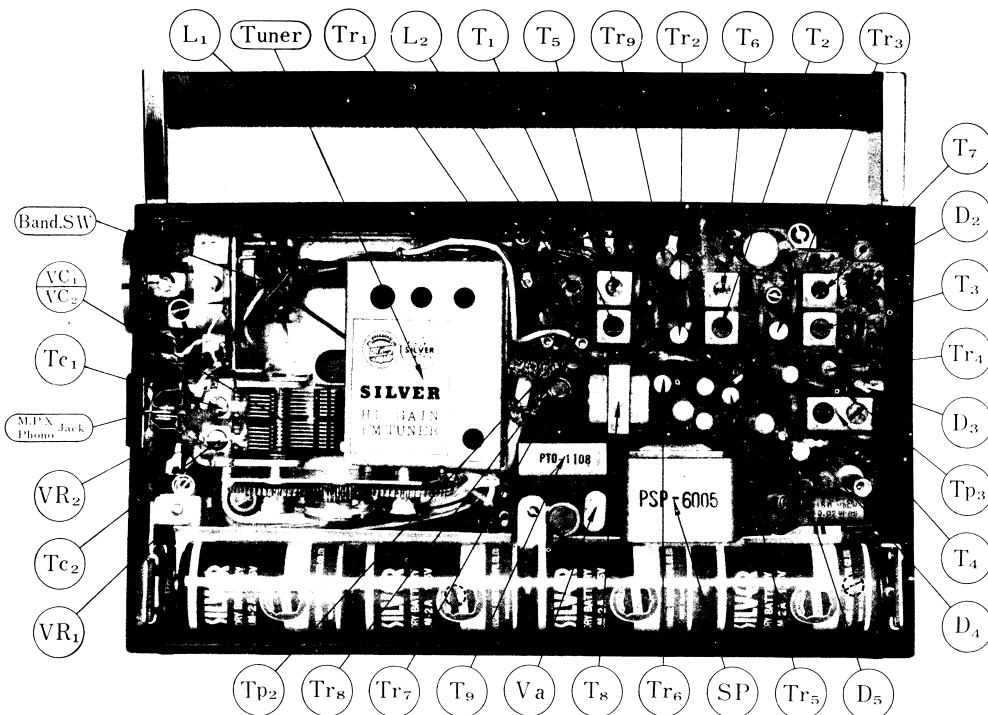


AM ALIGNMENT INSTRUCTION

- * Volume control should be at maximum.
- * SG signal should be radiated into the radio by the loop.
- * Output meter should be connected across the voice coil of speaker.

| Step | Band Switch Setting | Signal Generator Frequency | Radio Dial Setting | Adjust For MAX. Output |
|------|---------------------|----------------------------|--------------------------|-------------------------|
| 1 | AM | 455 KC | VC max. (fully close) | T-5.6.7 (AM.IFT.A.B.C.) |
| 2 | AM | 520 KC | VC max. | AM OSC.Coil(L2) |
| 3 | AM | 1650 KC | VC mini. (fully open) | AM OSC.Trimmer(TC2) |
| 4 | Repeat step 2 & 3 | | | |
| 5 | AM | 600 KC | 600 KC | AM ANT.Coil(L1) |
| 6 | AM | 1400 KC | 1400 KC | AM ANT.Trimmer(TC1) |

* Adjust to get MAXIMUM output in each step.



Chassis Mounting Screws