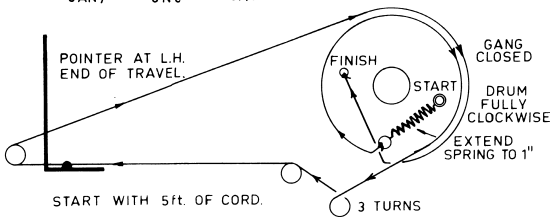
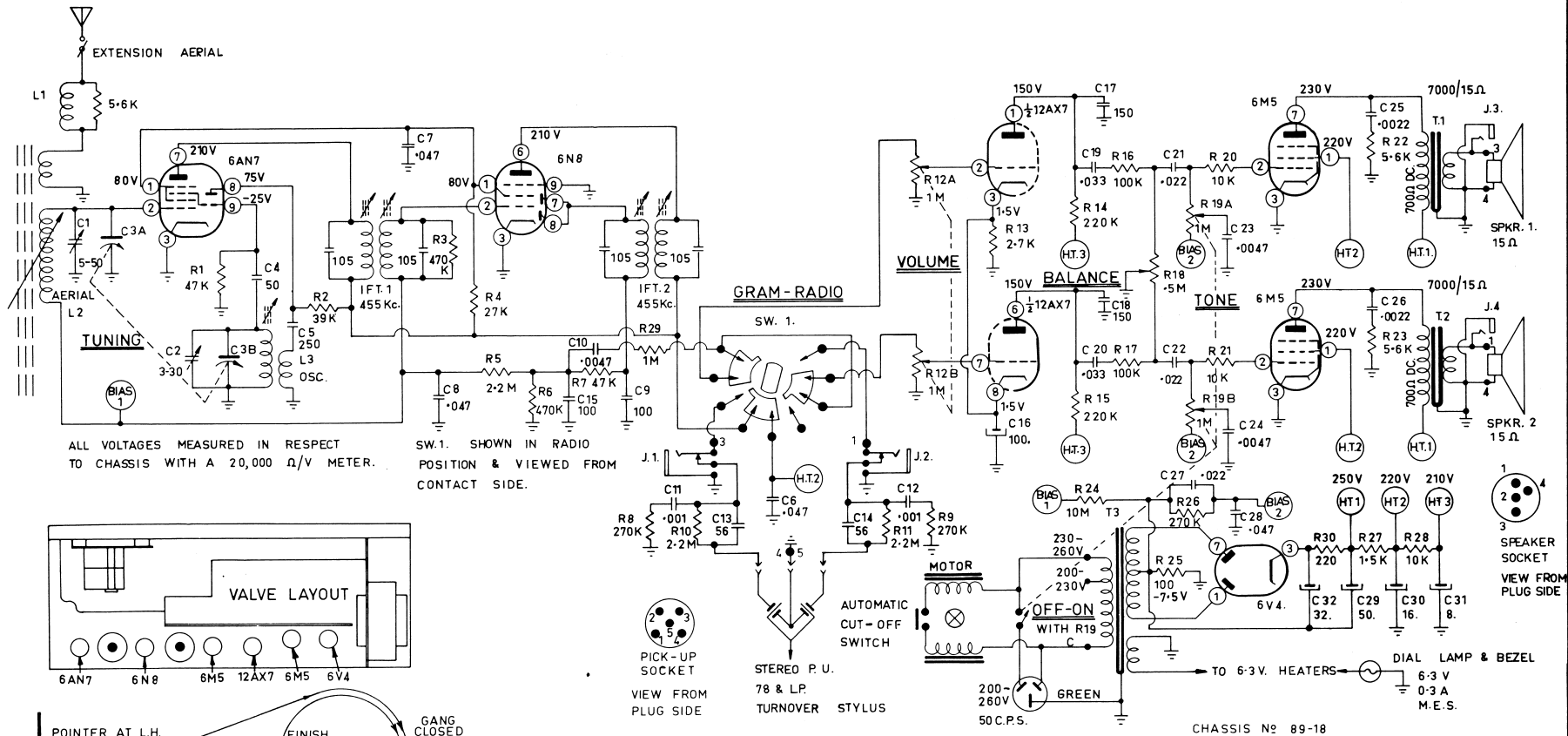


Electrical Parts List

Model 11-98

No.	DESCRIPTION					No.	DESCRIPTION					No.	DESCRIPTION					
R1	47K	1/2W	BTS	20%	I. R. C.	R27	1.5K	2W	BTB	10%	I. R. C.	C14	56 pF	500V	Mica MS	10%	Ducon	
R2	39K	1W	BTS	"	"	R28	10K	1W	BTA	"	"	C15	100pF	600V	Styroseal	"	"	
R3	470K	1/2W	BTS	"	"	R29	1M	1/2W	BTS	"	"	C16	100 uF	4V	Electro	"	Philips	
R4	27K	1W	BTA	"	"	R30	220ohm	2W	BTB	"	"	C17	150 pF	600V	Styroseal	20%	Ducon	
R5	2.2M	1/2W	BTS	"	"	L1 Compensating Coil 34-2206 L2 Aerial Coil 14-4082 L3 Oscillator Coil 14-3804 IFT1 I. F. Transformer 24-18 IFT2 I. F. Transformer 24-18 T1, 2 Spkr. Trans. 2TU 7K/150hm M. S. P. T3 Power Trans. 18-0109	C18	150 pF	"	"	"	"	"	"	"	"	"	"
R6	470K	"	"	"	"		C19	.033 uF	400V	Polyester	"	"	"	"	"	"	"	Philips
R7	47K	"	"	"	"		C20	.033 uF	"	"	"	"	"	"	"	"	"	"
R8	270K	"	"	10%	"		C21	.022 uF	"	"	"	"	"	"	"	"	"	"
R9	270K	"	"	"	"		C22	.022 uF	"	"	"	"	"	"	"	"	"	"
R10	2.2M	"	"	"	"		C23	.0047 uF	"	Paper	"	"	"	"	"	"	"	Ducon
R11	2.2M	"	"	"	"		C24	.0047 uF	"	"	"	"	"	"	"	"	"	"
R12	1M	VOLUME			32-4720		C25	.0022 uF	1000V	"	"	"	"	"	"	"	"	"
R13	2.7K	1W	BTA	10%	I. R. C.		C26	.0022 uF	"	"	"	"	"	"	"	"	"	"
R14	220K	"	"	20%	"		C27	.022 uF	125V	Polyester	"	"	"	"	"	"	"	Philips
R15	220K	"	"	"	"	C28	.047 uF	"	"	"	"	"	"	"	"	"	"	
R16	100K	1/2W	BTS	"	"	C29	50 uF	300V	Electro	"	"	"	"	"	"	"	Ducon	
R17	100K	"	"	"	"	C30	16 uF	300V	"	"	"	"	"	"	"	"	"	
R18	.5M	BALANCE			32-4223	C31	8 uF	300V	"	"	"	"	"	"	"	"	"	
R19	1M	OFF/ON	TONE		32-4221	C32	32 uF	300V	"	"	"	"	"	"	"	"	"	
R20	10K	1/2W	BTS	20%	I. R. C.	C1	5-50pF	Mica Trimmer	Type CWO	Ducon								
R21	10K	"	"	"	"	C2	3-30pF	Wire Trimmer		Philips								
R22	5.6K	1W	BTA	"	"	C3	Tuning Gang	63-3836		M. S. P.								
R23	5.6K	"	"	"	"	C4	50 pF	500V	Mica MS	10%	Ducon							
R24	10M	1/2W	BTS	"	"	C5	250pF	"	"	"	"							
R25	100ohm	1W	BTA	10%	"	C6	.047 uF	400V	Paper	20%	"							
R26	270K	1/2W	BTS	20%	"	C7	.047 uF	"	"	"	"							
						C8	.047 uF	125V	Polyester	"	Philips							
						C9	100 pF	500V	Mica MS	10%	Ducon	Speakers	8TAX. 15 ohm V. C.				M. S. P.	
						C10	.0047 uF	400V	Polyester	20%	"	Sw. 1.	Radio-Gram Switch				17-4220	
						C11	.001 uF	"	"	"	"	Jacks	Goldring RM 2/C.					
						C12	.001 uF	"	"	"	"	Dial Glass					69-6339	
						C13	56 pF	500V	Mica MS	10%	"	Bridging Plugs					90-5511	



STEREOPHONIC RADIOGRAM	MODEL	DRAWN	2-2-65
	11-98	CHECKED	2-2-65
		APPROVED	2-2-65

TECHNICAL SERVICE INFORMATION

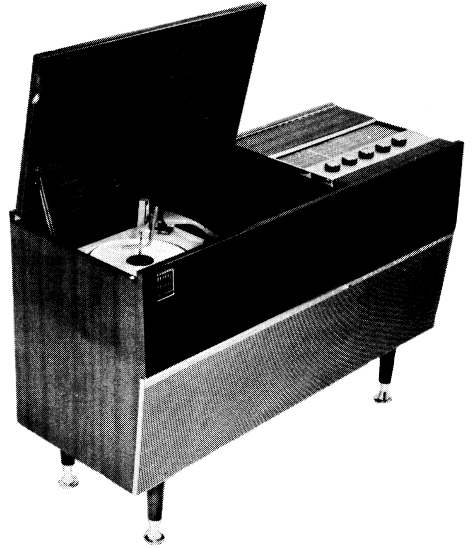
ISSUED BY

KRIESLER AUSTRALASIA PTY. LIMITED

12-30 Cawarra Road, Caringbah. P.O. Box 107, Caringbah. Telephone 5-2044

DESCRIPTION

Model 11-98 is a six valve Broadcast Band stereophonic radio-gram housed in a timber cabinet fitted with 8" legs. A four-cone speaker system employing two 8" twin-cone loudspeakers is used. Input and output sockets are provided on the control panel so that microphones, tape recorders, etc. may be readily connected. A microphone (90-4149) is supplied with the radio-gram.



RECORD CHANGER

STYLUS

B.S.R. Model UA15. ST4 Diamond.

P.U. CARTRIDGE STYLUS FORCE

B.S.R. Type C1. 6 to 8 grams.

MAINS SUPPLY

200 to 250 volts, 50 c.p.s. (240 V primary tapped at 220V). The chassis is suitable for operation on mains frequencies of 40, 50 or 60 c.p.s., but for operation on other than 50 c.p.s., the record changer motor pulley must be changed.

AERIAL

The inbuilt ferrite-rod aerial provides adequate reception in areas a reasonable distance from radio stations. Note that due to the directivity of the ferrite-rod, re-location of the receiver for best signal pick-up may be desirable. An external aerial may be connected to the red lead at the rear of the cabinet.

EARTH

Since three-core power flex is used, no separate earth is generally needed; however, if the mains earth is not a satisfactory radio earth, a separate earth may be connected to the black lead at the rear of the cabinet.

CHASSIS AND RECORD CHANGER REMOVAL

TUNING RANGE

I.F. FREQUENCY

Refer instruction card on cabinet.

525 to 1650 Kc/s.

455 Kc/s.

DIMENSIONS

Length 42", Depth 16.1/4", Height 20.1/2" + 8" legs.

SPECIAL NOTE

Care should be taken to ensure that the record changer deck is level and that the transit screws have been released after installation.