

TECHNICAL SERVICE INFORMATION

ISSUED BY

KRIESLER AUSTRALASIA PTY. LIMITED

CAWARRA ROAD, CARINGBAH. P.O. BOX 107, CARINGBAH. TELEPHONE: 5-2044

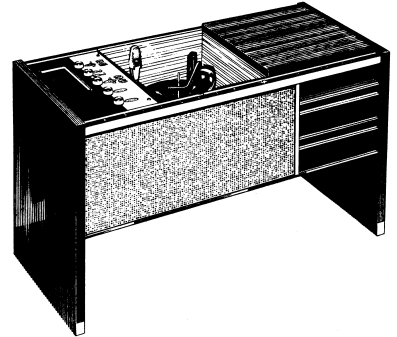
Series 'A' Radio Handbook

DESCRIPTION.

Model 11-93 is a six valve radiogram designed for Broadcast Band reception and reproduction of Monaural and Stereophonic records. The chassis is equipped with dual audio amplifiers which provide facilities for external inputs and outputs. A microphone (Part No. 90-4732) and two spare plugs are supplied with the unit. The record changer is a four-speed automatic model incorporating a "Turnover" pick-up cartridge.

MODEL 11-93

STEREOPHONIC RADIOGRAM



RECORD CHANGER.

B.S.R. Model UA16.

PICK-UP CARTRIDGES.

Ronette 105
Crystal.

B.S.R. Type C1.
(For tropical areas)
Ceramic

REPLACEMENT STYLI.

L.P.Goldring D44 Diamond.
78Goldring S44 Sapphire.

Dual-tipped stylus for L.P. & 78.
ST 3 --- Sapphire.
ST 4 --- Diamond.

OPERATING VOLTAGES.

200 to 260 volts A.C. (240V primary tapped at 220V). The chassis is suitable for operation on a mains frequency of 40, 50 or 60 c.p.s., but for operation at other than 50 c.p.s., the record changer motor must be changed.

AERIAL.

The inbuilt ferrite-rod aerial provides adequate reception in normal signal areas. Where an external Aerial and Earth are required, terminals for this purpose are provided on the rear of the cabinet.

EARTH.

Since three-core power flex is used, no separate earth is usually required.

TUNING RANGE.

525 to 1635 Kc/s.

INTERMEDIATE FREQUENCY.

455 Kc/s.

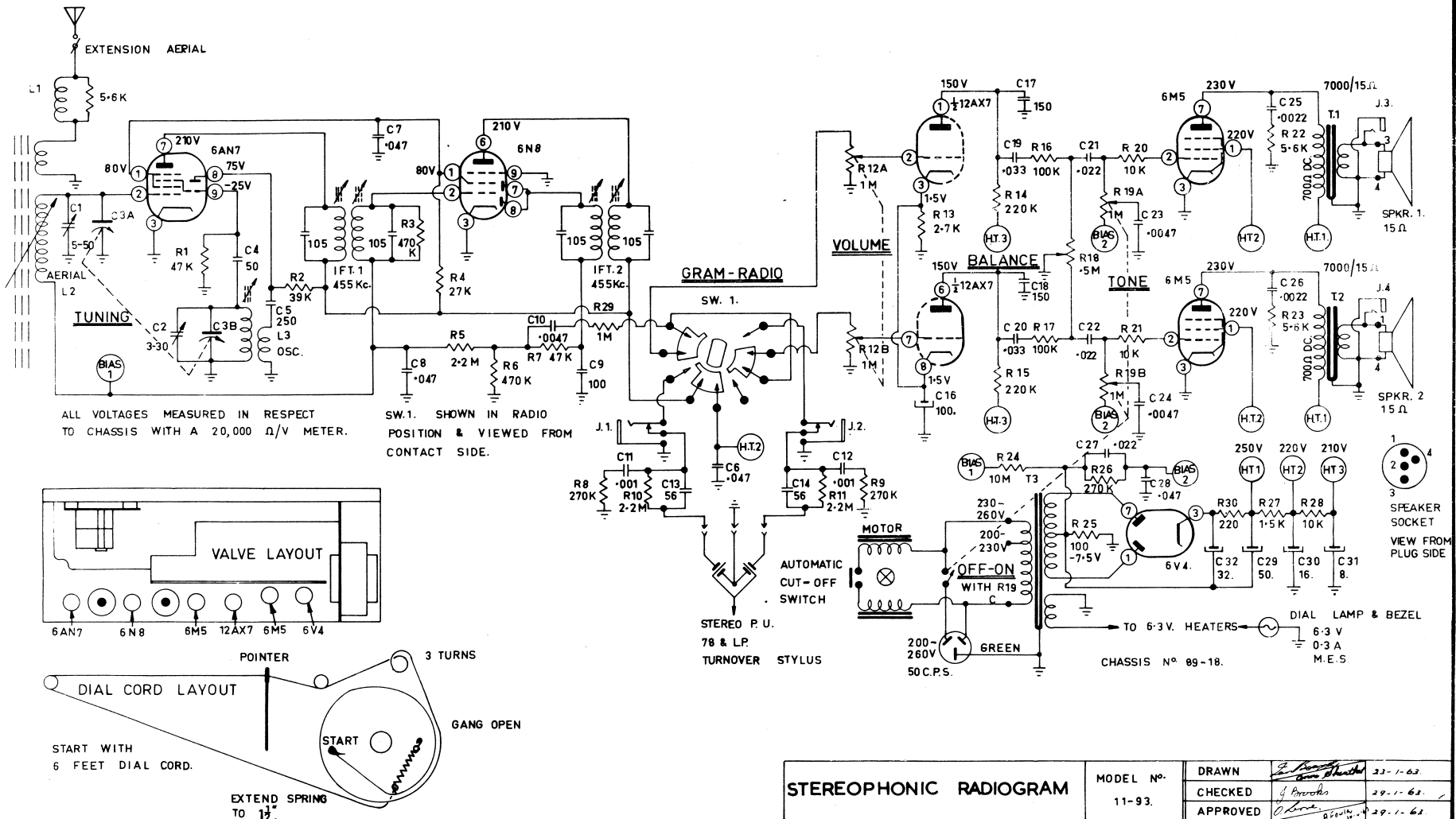
CHASSIS AND RECORD CHANGER SERVICING.

For valve and record changer access, remove the cabinet back. For complete chassis removal, remove the decorative front panel. Phillips head and blade screwdrivers are all the tools required. For more complete details, refer to the label on the rear of the cabinet.

SPECIAL NOTE: Case should be taken to ensure that the record changer deck is level when installed, and that the transit screws have been released.

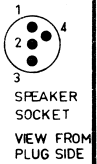
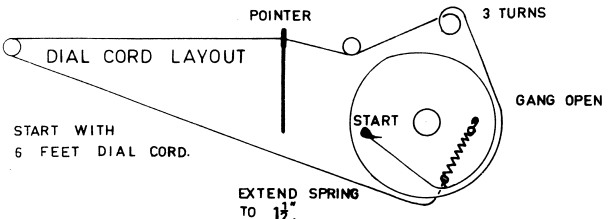
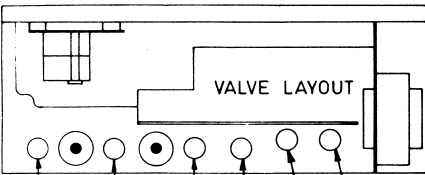
REPLACEMENT PARTS.

Knobs.....	90-4734.	Dial Glass	69-4729.
Decorative Front Panel....	16-4700.	Microphone	90-4732.



ALL VOLTAGES MEASURED IN RESPECT TO CHASSIS WITH A 20,000 Ω/V METER.

SW.1. SHOWN IN RADIO POSITION & VIEWED FROM CONTACT SIDE.



STEREOPHONIC RADIOGRAM MODEL N ^o . 11-93.	DRAWN <i>E. Parrocks</i> 23-1-62
	CHECKED <i>E. Parrocks</i> 29-1-62
	APPROVED <i>E. Parrocks</i> 29-1-62

CHASSIS N^o 89-18.

STEREO P. U.
78 & LP.
TURNOVER STYLUS

TO 6.3 V. HEATERS
6.3 V
0.3 A
M.E.S.

No.	DESCRIPTION.					No.	DESCRIPTION.				
R1	47K	$\frac{1}{2}$ W	BTS	20%	I.R.C.	C1	5-50pF	Mica	Trimmer	Type CWO	Ducon
R2	39K	1W	BTS	"	"	C2	3-30pF	Wire	Trimmer		Philips
R3	470K	$\frac{1}{2}$ W	BTS	"	"	C3	Tuning Gang 63-3836			M.S.P.	
R4	27K	1W	BTA	"	"	C4	50 pF	500V	Mica MS	10%	Ducon
R5	2.2M	$\frac{1}{2}$ W	BTS	"	"	C5	250pF	"	"	"	"
R6	470K	"	"	"	"	C6	.047 uF	400V	Paper	20%	"
R7	47K	"	"	"	"	C7	.047 uF	"	"	"	"
R8	270K	"	"	10%	"	C8	.047 uF	125V	Polyester	"	Philips
R9	270K	"	"	"	"	C9	100 pF	500V	Mica MS	10%	Ducon
R10	2.2M	"	"	"	"	C10	.0047 uF	400V	Polyester	20%	"
R11	2.2M	"	"	"	"	C11	.001 uF	"	"	"	"
R12	1M	VOLUME			32-4720	C12	.001 uF	"	"	"	"
R13	2.7K	1W	BTA	10%	I.R.C.	C13	56 pF	500V	Mica MS	10%	"
R14	220K	"	"	20%	"	C14	56 pF	"	"	"	"
R15	220K	"	"	"	"	C15					
R16	100K	$\frac{1}{2}$ W	BTS	"	"	C16	100 uF	4V	Electro.		Philips
R17	100K	"	"	"	"	C17	150 pF	600V	Styroseal	20%	Ducon
R18	.5M	BALANCE			32-4223	C18	150 pF	"	"	"	"
R19	1M	OFF/ON TONE			32-4221	C19	.033 uF	400V	Polyester	"	Philips
R20	10K	$\frac{1}{2}$ W	BTS	20%	I.R.C.	C20	.033 uF	"	"	"	"
R21	10K	"	"	"	"	C21	.022 uF	"	"	"	"
R22	5.6K	1W	BTA	"	"	C22	.022 uF	"	"	"	"
R23	5.6K	"	"	"	"	C23	.0047 uF	"	Paper	"	Ducon
R24	10M	$\frac{1}{2}$ W	BTS	"	"	C24	.0047 uF	"	"	"	"
R25	100ohm	1W	BTA	10%	"	C25	.0022 uF	1000V	"	"	"
R26	270K	$\frac{1}{2}$ W	BTS	20%	"	C26	.0022 uF	"	"	"	"
R27	1.5K	2W	BTB	10%	"	C27	.022 uF	125V	Polyester	"	Philips
R28	10K	1W	BTA	"	"	C28	.047 uF	"	"	"	"
R29	1M	$\frac{1}{2}$ W	BTS	"	"	C29	50 uF	300V	Electro.		Ducon
R30	220ohm	2W	BTB	"	"	C30	16 uF	300V	"		"
						C31	8 uF	300V	"		"
						C32	32 uF	300V	"		"
L1	Compensating Coil				34-2206	Speakers		8MX 15 ohm V.C. F 54.			Rola
L2	Aerial Coil				14-4082	Sw.1.		Radio-Gram Switch			17-4220
L3	Oscillator Coil				14-3804	Jacks		Goldring RM 2/C.			--
IFT1	I.F. Transformer				24-18						
IFT2	I.F. Transformer				24-18						
T1,2	Spkr. Trans. K/53 -2				Rola						
	7K/150hm										
T3	Power Trans.				18-0109						