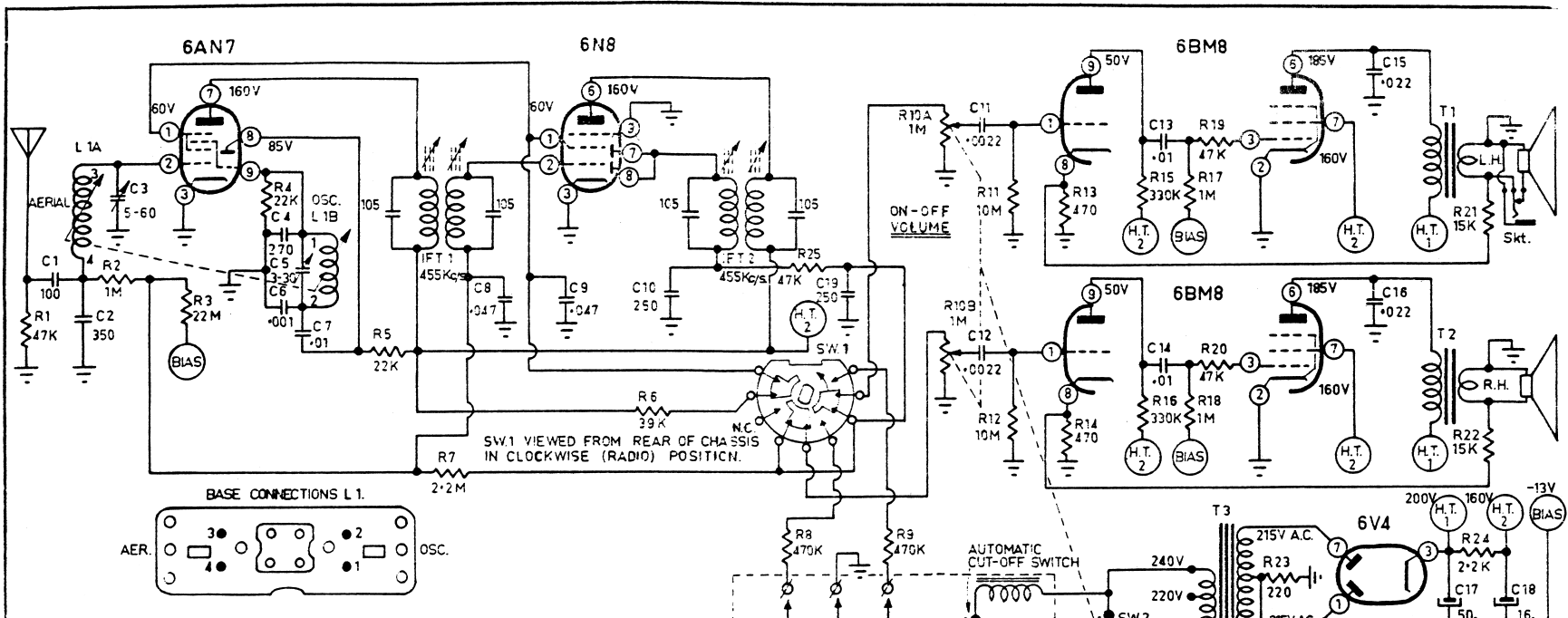


K25 KRIESLER AC STEREOPHONIC PORTABLE RADIOGRAM MODEL 11-86 K25



NO.	DESCRIPTION	NO.	DESCRIPTION
C1	100pF 500V MICA MS ±10%	R8	470K ½W BTS ±20%
C2	350pF " " " " ±5%	R9	470K " " " " ±20%
C3	5-60pF WIRE TRIMMER.	R10	1M POT. SP.ST. C&C taper P1Na 32-3056
C4	270pF 600V STYRO DFB 605 ±10%	R11	10M ½W BTS ±20%
C5	3-30pF WIRE TRIMMER.	R12	10M " " " " ±20%
C6	.001uF 600V STYRO DFB 612 ±10%	R13	470ohm " " " " ±10%
C7	.01uF 600V PAPER TPB652 ±20%	R14	470ohm " " " " ±10%
C8	.047uF 200V " TPB248 " " " " " "	R15	330K 1W BTA " " " " " "
C9	.047uF 450V " TPB460 " " " " " "	R16	330K " " " " " "
C10	250pF 500V MCA MS " " " " " "	R17	1M ½W BTS ±20%
C11	.0022uF 400V PAPER TPB444 " " " " " "	R18	1M " " " " " "
C12	.0022uF " " " " " " " " " "	R19	47K " " " " " "
C13	.01uF 600V " TPB652 " " " " " "	R20	47K " " " " " "
C14	.01uF " " " " " " " " " "	R21	15K " " " " " "
C15	.022uF " " TPB656 " " " " " "	R22	15K " " " " " "
C16	.022uF " " " " " " " " " "	R23	220ohm 2W BTB (2x 470Ω) " " " " " "
C17	50uF 350V ELECTRO. ET6G -20+40% " " " " " "	R24	2.2K " " " " " "
C18	16uF " " ET4D " " " " " "	R25	47K ½W BTS " " " " " "
C19	250pF 500V MICA MS ±20%		
R1	47K ½W BTS ±20%	L1	TUNER UNIT PHILIPS NP1200
R2	1M " " " " ±20%	IFT	I.F. TRANS. Kr Pt. No. 24-18-455Kcs.
R3	22M " " " " ±10%	SW.1	RADIO-GRAM SW. " " " 17-3055
R4	22K " " " " " " " " " "	T1,2	OUTPUT TRANS. ROLA M3 7030/15.Ω
R5	22K 1W BTA " " " " " "	T3	POWER TRANS. Kr Pt. No. 18-3053
R6	39K " " " " ±20%	Spkrs	LOUDSPEAKERS. ROLA 4C 150.vc. F97Cone.
R7	2.2M ½W BTS " " " " " "	SW.2	ON-OFF SWITCH SP.ST. WITH R19
		Skt.	EXTENSION SPEAKER SOCKET. Kr Pt. No. 20-2010

ALL VOLTAGES MEASURED I. RESPECT TO CHASSIS WITH A 1000 OHM/VOLT METER.

BRIEF ALIGNMENT PROCEDURE.
 SET C5 AT 530 Kc/s.
 SET C3 AT 1500 Kc/s } WITH TUNER AT L.F. END OF SCALE.

ORIGINAL	CHANGE	DATE	SIGN'D
ISSUE 29-8-1960.			
MATERIAL	DRAWN	PROJECT	QTY.
GAUGE	CHECKED	PROJECT	QTY.
FINISH	MECH.	PROJECT	QTY.
	ELEC.		
	STYLING		
Prescription No.			
PORTABLE STEREOPHONIC RADIOGRAM D 11-86			
Work to Dimensions only. Unless otherwise specified, Tolerances to be read as: ± 1/64" on Fractions. ± .005" on Decimals.			
Before production is commenced 2 samples must be submitted to Drawing Office for approval.			
This Drawing must be returned to KRIESLER AUSTRALASIA PTY. LTD. - ALICE STREET, NEWTOWN.			
			SCALE

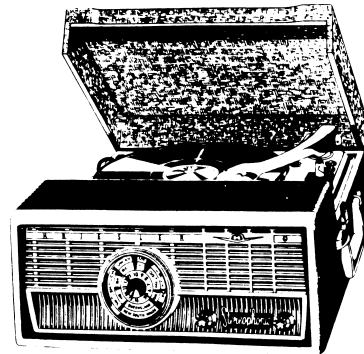
KRIESLER AUSTRALASIA PTY. LIMITED

43 ALICE ST. NEWTOWN.

Phone: LA. 0400

Series "A" Radio Handbook

11-86 PORTABLE STEREOPHONIC RADIOGRAM



DESCRIPTION: Model 11-86 is a five valve Broadcast Portable Radiogram with twin, matched stereo amplifiers and speaker systems housed in a single-unit vinyl covered plywood cabinet. It is fitted with a B.S.R. Type RP4 record player and a 'turnover' crystal pick-up cartridge Type TC8S. A Reversible dial scale caters for all Australian States.

STYLI. Monaural 78's.....S35 Standard.
Stereo & L.P.....S35 Stereo

DIMENSIONS. Width 14", Depth 16 1/4", Height 6 1/4". NETT WEIGHT 20 1/4 lbs.

MAINS SUPPLY. 200 to 260 Volts, 50 cps. (240V primary tapped at 220V)

AERIAL. An inbuilt plate aerial provides adequate signal reception for areas within a reasonable distance from radio stations. An extension aerial, when required, may be connected to the screw on the base of the cabinet.

EARTH. Since three core power flex is used, no separate earth is required.

RECORD PLAYER AND CHASSIS REMOVAL INSTRUCTIONS.

RADIO CHASSIS. Remove the two gold-plated screws on the rear cover of radio compartment. Remove extension aerial screw on base of cabinet. Pull chassis out of cabinet to the limit of the lead lengths. Disconnect lead to internal plate aerial, mains lead to record player motor, and pick-up plug. The chassis may now be removed up to the length of the power cord. For complete removal, the record player must be removed and cord clamp lifted to allow power plug to pass through cabinet.

RECORD PLAYER. With stylus in neutral position, P.U.arm secured on its rest and record player secured by transit screws, remove the four screws that hold the motor board to the cabinet. Lift out record player to the limit of the leads, disconnect leads and remove completely.

TO REPLACE. Reverse above procedure.

PARTS LIST.

Tuning knob.....20-2043	Dial centre screw.....26-2031
Switch knob.....90-3073	Dial Scale.....90-3072
Volume knob.....90-3059	Handle.....20-3044
Front panel.....90-3058	Handle retainers.....20-3045

EXTENSION SPEAKER.

An extension speaker unit is available as an optional extra to obtain additional stereo dimension when the radiogram is operated in large rooms or as an extension speaker in other rooms with complete electrical safety.

This extension unit, Part No. 90-2534, plugs into the socket on the left side of the cabinet and disconnects the left-hand internal speaker. A plug and 15 ft. of cable is supplied with the unit.

WARNING. To protect records, it is advisable to remove them from the turntable after playing.

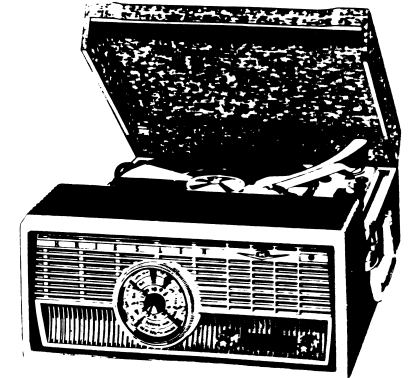
KRIESLER AUSTRALASIA PTY. LIMITED K25 & 26.

43 ALICE ST. NEWTOWN.

Phone: LA. 0400.

Series "A" Radio Handbook

11-87 PORTABLE RADIOGRAM.



DESCRIPTION. Model 11-87 is a four valve Broadcast Portable Radiogram housed in a vinyl covered plywood cabinet. It is fitted with a B.S.R. Type RP4 record player and a 'turnover' crystal pick-up cartridge Type TC8 M. The reversible dial scale caters for all Australian States.

STYLI. 78 onlyS35 Standard.
33 & 45S35 L.P.

DIMENSIONS. Width 14", Depth 16 1/4", Height 6 1/4". NETT WEIGHT. 20 lbs.

MAINS SUPPLY. 200 to 260 Volts, 50 cps. (240V primary tapped at 220V)

AERIAL. An inbuilt plate aerial provides adequate signal reception for areas within a reasonable distance from radio stations. An extension aerial, when required, may be connected to the screw on the base of the cabinet.

EARTH. Since three core power flex is used, no separate earth is required.

RECORD PLAYER AND CHASSIS REMOVAL INSTRUCTIONS.

RADIO CHASSIS. Remove the two gold-plated screws on the rear cover of radio compartment. Remove extension aerial screw on base of cabinet. Pull chassis out of cabinet to the limit of the lead lengths. Disconnect lead to internal plate aerial, mains lead to record player motor, and pick-up plug. The chassis may now be removed up to the length of the power cord. For complete removal, the record player must be removed and cord clamp lifted to allow power plug to pass through cabinet.

RECORD PLAYER. With stylus in neutral position, P.U.arm secured on its rest and record player secured by transit screws, remove the four screws that hold the motor board to the cabinet. Lift out record player to the limit of the leads, disconnect leads and remove completely.

TO REPLACE. Reverse above procedure.

PARTS LIST.

Tuning knob20-2043	Dial centre screw 26-2031
Switch knob90-3073	Dial Scale 90-3072
Volume knob90-3059	Handle 20-3044
Front panel90-3413	Handle retainers 20-3045

EXTENSION SPEAKER.

An extension speaker unit is available as an optional extra. This extension unit, Part No. 90-2534, plugs into the socket on the left hand side of the cabinet. A plug and 15 ft. of cable is supplied with the unit.

WARNING. To protect records, it is advisable to remove them from the turntable after playing.