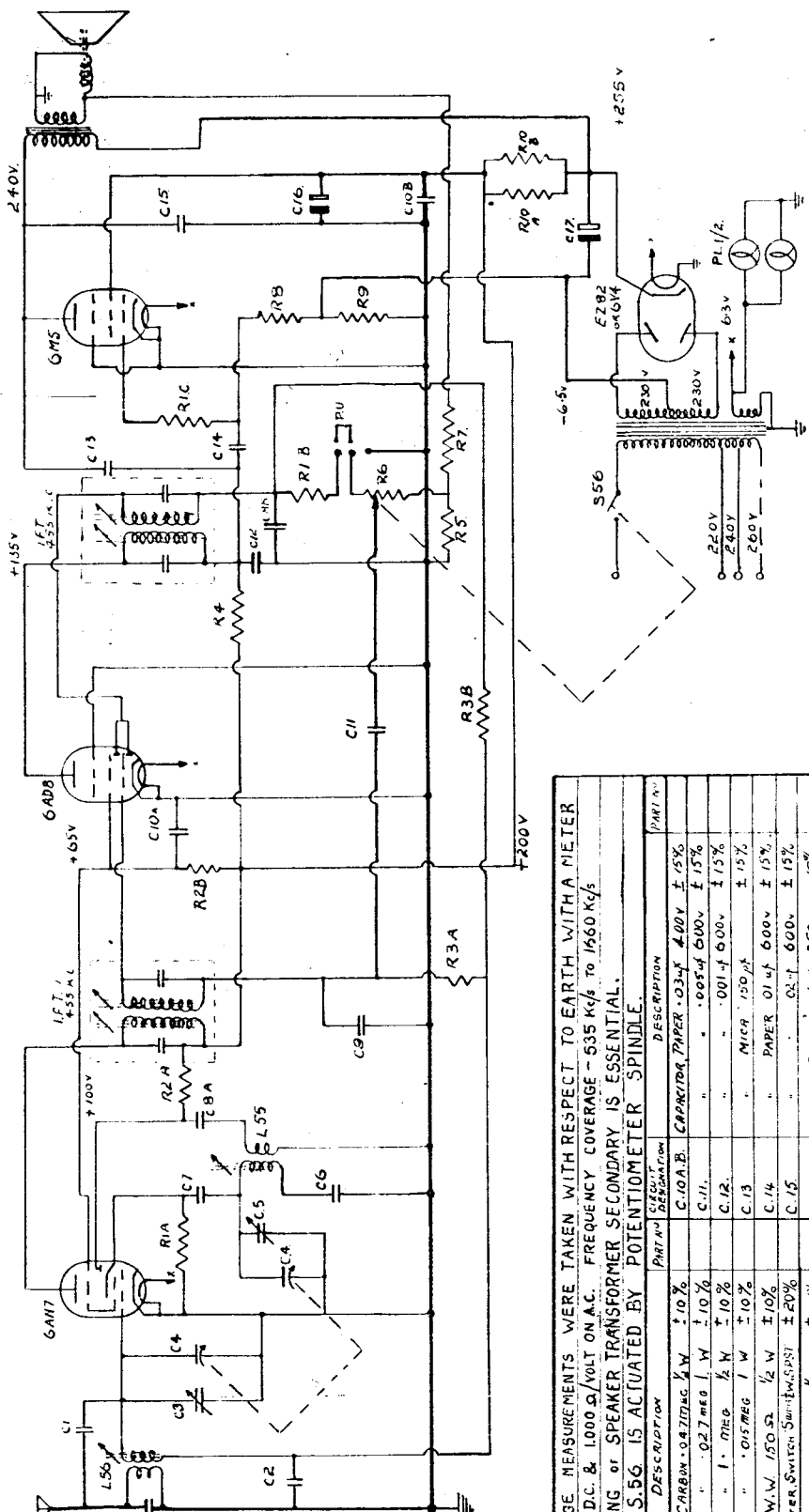


TECHNICAL SERVICE INSTRUCTIONS

ISSUED BY

KRIESLER AUSTRALASIA PTY. LTD.

11-60 RECEIVER A/C REFLEX MANTLE MODEL B/C



WHEN ORDERING REPLACEMENT PARTS PLEASE STATE THE FOLLOWING—
 RECEIVER MODEL NO. CHASSIS NO. PART NO.
 CIRCUIT DESIGNATION GENERAL DESCRIPTION.

MATERIAL	PLANNED	PROJECT	QTY.	PROJECT
GAUGE	✓	11-2-36		
FINISH	✓			
Prescription No.	✓			
RECEIVER AC REFLEX		11-60		
Work to Dimensions only. Unless otherwise specified, tolerances to be read as— on Fractions ± on Decimals				
Before production is commenced 2 samples must be submitted to Drawing Office for approval. ISSUE 11				
This Drawing must be returned to KRIESLER AUSTRALASIA PTY. LTD., 43 ALICE STREET, NEWTOWN. SCALE				

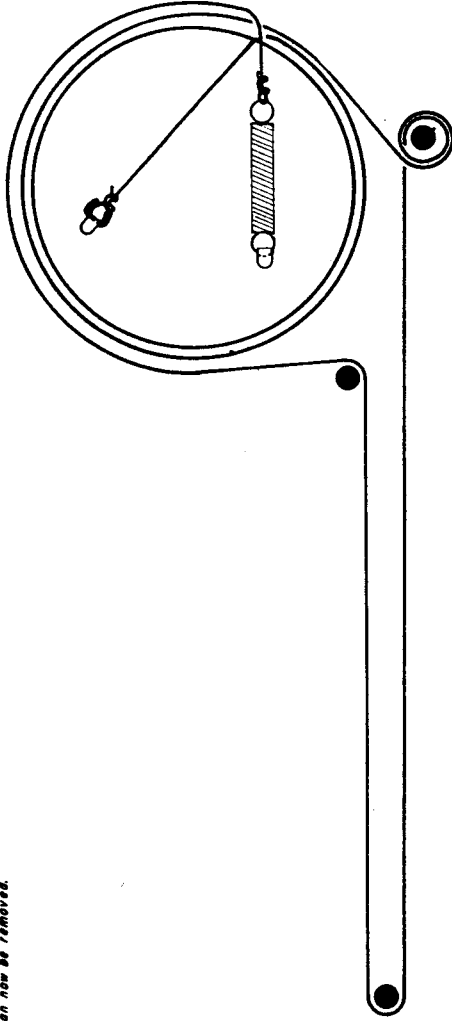
NOTE: ALL VOLTAGE MEASUREMENTS WERE TAKEN WITH RESPECT TO EARTH WITH A METER 20,000 Ω/VOLT ON D.C. & 1,000 Ω/VOLT ON A.C. FREQUENCY COVERAGE - 535 Kc/s TO 1,650 Kc/s
 CORRECT PHASING OF SPEAKER TRANSFORMER SECONDARY IS ESSENTIAL.
 MAINS SWITCH S.56 IS ACTUATED BY POTENTIOMETER SPINDLE.

DESCRIPTION	PART NO.	DESCRIPTION	PART NO.
R1, R3C Resistor CARBON - 0.42 MEG 1/2 W ± 10%	C10A, B	CAPACITOR PAPER - 0.03 μf 400V ± 15%	14-23
R2, R8B " " 0.27 MEG 1/2 W ± 10%	C11	" " 0.005 μf 500V ± 15%	14-22
R3, R8 " " 1 MEG 1/2 W ± 10%	C12	" " 0.001 μf 500V ± 15%	
R4 " " 0.05 MEG 1/2 W ± 10%	C13	MICA 150 pF ± 15%	
R5 " W.W. 150 Ω 1/2 W ± 10%	C14	PAPER 01 μf 500V ± 15%	
R6 POTENTIOMETER Switch SW-100, 500 Ω ± 20%	C15	" 0.2 μf 500V ± 15%	
R7 RESISTOR W.W. 390 Ω 1/2 W ± 10%	C16	ELECT. 10 μf 350V ± 10%	
R8 " CARBON-3.9 MEG 1/2 W ± 10%	C17	" 30 μf 350V ± 10%	
R9 " W.W. 175 Ω 1/2 W ± 10%	L 56	COIL 9/6 AERIAL	
R10, AB " CARBON 6800 Ω 1 W ± 10%	L 55	" 9/6 OSCILLATOR	
C1 CAPACITOR MICA	PL 1-2	PILOT LAMP G.3 - 3amp 245 BASE	
C2 " PAPER 0.05 μf 200V ± 15%	IFT 1	I.F. TRANSFORMER 455 K.C. (20pf)	
C3 " TRIMMER 1/2 W 5-50 pf	SPK	SPEAKER TRANSFORMER ROLA 2B9 9/6	
C4 " A.W.A. 2 G/M/G	PT	7000 Ω 600 3-5 Ω	
C5 " WIRE TRIMMER 0-30 pf	PT 2	POWER TRANSFORMER	
C6 " MICA 435 pf ± 2%	PT 3	LOUD SPEAKER ROLA 5 C	
C7 " 50 pf ± 15%			
C8, A, B " 250 pf ± 15%			
C 9 " CERAMIC 500 pf ± 15%			

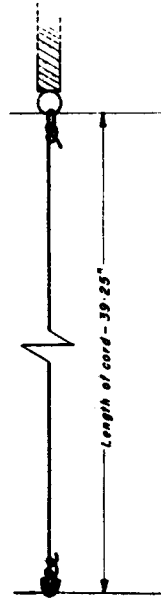
TO REMOVE CHASSIS:

1. Remove the control knobs.
2. Remove the "pick-up" bridge from rear of cabinet.
3. Remove the two screws holding back cover, and remove back cover.
4. Remove the four holding screws from base.
5. Disengage chassis from lip of cabinet.

Chassis can now be removed.



Viewed from front of cabinet with gear in closed position.



Length of cord - 39.25"

MATERIAL	PLANNED	PROJECT	QTY.	PROJECT	QTY.	PROJECT	QTY.
GUAGE		5/2/55					
DRAWN	E/zhnd						
CHECKED	R.L.K.						
FINISH							
Prescription No.							
APPROVED							
DIAL CORD LAYOUT		11-59, 60.		Work in Dimensions only. Unless otherwise specified, tolerances to be read as:—			
				on Fractions. ±			
				on Decimals. ±			
Before production is commenced 2 samples must be submitted to Drawing Office for approval. ISSUE 7/2							
This Drawing must be returned to KREBSLER AUSTRALASIA PTY. LTD., 43 ALICE STREET, NEWTOWN. SCALE N.T.S.							



VIC	★	WY	QL	RA	CA	TA	GA	CV	WA	★	VIC				
		AS	LD	GI	UZ	DB	LK	CA	NZ	AW	TH	XT	AK		
WA	★	WA	CF	WN	PI	DR	PM	KA	IX	BY	DR	MC		★	SA
		RM	AL	RM	BY	TE	PI	MD	KG	AD	VA	MU	AL	UY	
QLD	★	QL	QL	WA	AV	TX	SB	RI	BC	AK	BC	CT	SH	★	TAS
		NO	DR	GA	NS	NO	JA	DR	AG	DT	JA	LA	MB	AK	
NSW	★	NS	NS	NS	NS	NS	NS	NS	NS	NS	NS	NS	NS	★	NSW

His Master's Voice



VIC ★
WA ★
QLD ★
NSW ★

WV	AR	LO	GI	UZ	DB	KZ	YB
LA	GF	WN	PR	GE	WB	FA	
WA	WF	CL	AN	ON	AM	PM	KA IX
NM	AL	RM	BY	TZ	PI	MD	KG
QH	RI	OT	OS	WK	AY	EX	SB
BU	OR	OA	GR	AD	DY	IP	AK
QL	ON	RR	VL	CA	LA	MB	BU
BR	IK	GL	AL	BG	WU	DU	HA
NU	NR	BA	LM	CA	MO	NC	HA
FC	BL	KA	CY	UE	KY	UW	CH
ML	KP	MB		GL	MO	AD	GF
CR	CO	MB		KM	MO	HZ	TM

VOLUME BROADCAST FREQUENCIES, IN KILOCYCLES

Kometon



No 16804

THIS RECORDING INSTRUMENT WAS MANUFACTURED UNDER A LICENSE GRANTED BY AUSTRALIAN RADIO TECHNICAL SERVICES & PATENTS CO. (PTY.) LTD. IN RESPECT OF PATENTS APPLIED FOR IN THE REPUBLIC OF AUSTRALIA AND SUCH PATENTS ARE FREE TO THE PUBLIC BY THE AUSTRALIAN GOVERNMENT. THIS INSTRUMENT IS NOT TO BE REPRODUCED OR TRANSMITTED IN ANY FORM OR BY ANY MEANS, ELECTRONIC OR MECHANICAL, INCLUDING PHOTOCOPYING, RECORDING, OR BY ANY INFORMATION STORAGE AND RETRIEVAL SYSTEM, WITHOUT PERMISSION IN WRITING FROM THE AUSTRALIAN GOVERNMENT. THIS INSTRUMENT IS NOT TO BE USED FOR ANY COMMERCIAL OR REVENUE PURPOSES. N.B. - A PATENT OFFICE LICENSE IS NECESSARY.

198736



17
Spatt
ITALIA

70

MODERNA
OLA

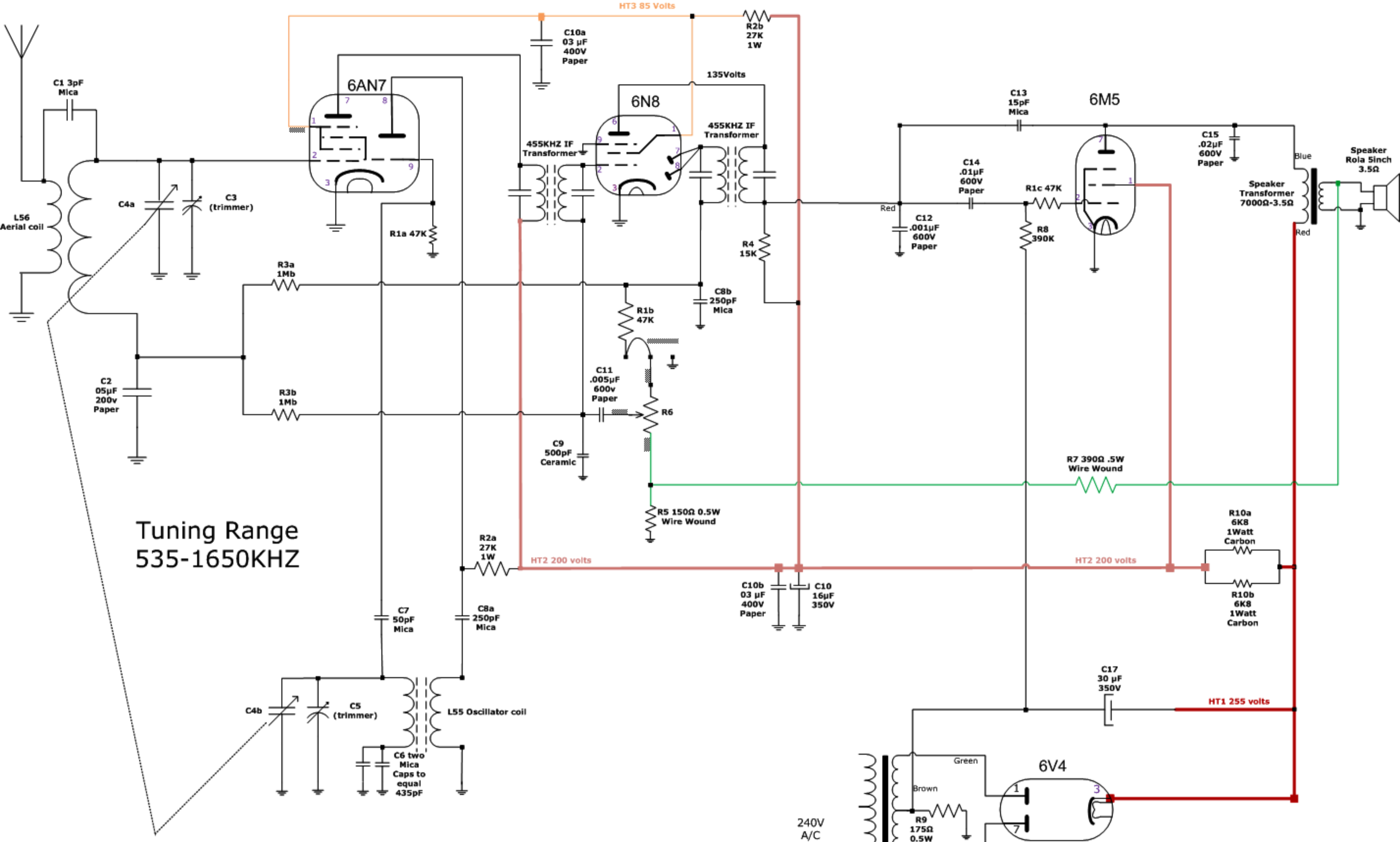
N° 16804

SELEX DECA

No. 4 This instrument was manufactured under a licence granted by Australian Radio Technical Services & Patents Co. Pty. Ltd. in respect of patents controlled by it for the reception in the Commonwealth of Australia and such territories as may from time to time be administered under mandate by the said Commonwealth of sound broadcast by wireless but only for private or domestic use and not for operation for any public or commercial or revenue-earning purpose.

N.B.—A Post Office Licence is necessary.

198261
837861



Tuning Range
535-1650KHZ

Valves
 6AN7 RF & Oscillator
 6N8 or 6AD8 IF & Detector
 6M5 Audio Output
 6V4 Rectifier

Kriesler (1956) 11-60 diagram by Reg Gauci 20100125