

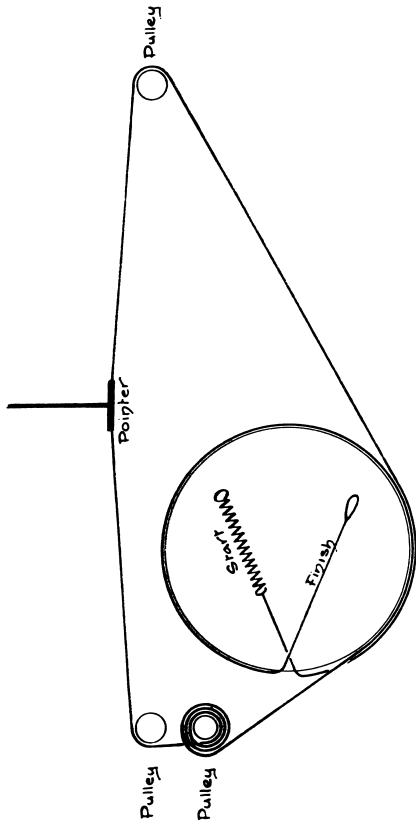
Time Control Mod.
C-Capacitor 100 MF 500V
R-Resistor 20 K Ω

CIRCUIT DESIGNATION	DESCRIPTION.	PART NO.	CIRCUIT DESIGNATION	DESCRIPTION.	PART NO.
R.1.A.B.	RESISTOR CARBON .047 MEG. $\frac{1}{2}$ W. $\pm 10\%$		C.10.	CAPACITOR PAPER .03 MF. 400 V. $\pm 15\%$	
R.2.A.B.	" " .027 MEG. 1. W. $\pm 10\%$		C.11.A.B.	" " .005 MF. 600 V. $\pm 15\%$	
R.3.A.B.	" " 1. MEG. $\frac{1}{2}$ W. $\pm 15\%$		C.12.	" " .001 MF. 600 V. $\pm 15\%$	
R.4.	" " .015 MEG. 1. W. $\pm 10\%$		C.13.	" MICA 50. pf. $\pm 15\%$	
R.5.	" W. W. 100 Ω . $\frac{1}{2}$ W. $\pm 10\%$		C.14.A.B.	" PAPER .01 MF. 600 V. $\pm 15\%$	
R.6.	POTENTIOMETER SWITCH .5 MEG./W.S.P. ST. $\pm 20\%$	32-20	C.16.	" ELECT. 16 MF. 350 V. $\pm 10\%$	
R.7.	RESISTOR W. W. 390 Ω . $\frac{1}{2}$ W. $\pm 15\%$		C.17.	" " 30 MF. 350 V. $\pm 10\%$	
R.9.	" CARBON .5 MEG. $\frac{1}{2}$ W. $\pm 10\%$		C.18.	" CERAMIC .002 MF. 600 V. $\pm 15\%$	
R.10.A.B.	" " 6800 Ω . 1. W. $\pm 15\%$		C.19.	" MICA 25 pf. $\pm 15\%$	
R.11.A.	" " 100 K Ω . $\frac{1}{2}$ W. $\pm 15\%$		L.56.	COIL $\frac{1}{2}$ AERIAL.	14-23.
R.12.	POTENTIOMETER 1. MEG. 1. W. $\pm 20\%$	32-23	L.55.	" $\frac{1}{2}$ OSCILLATOR.	14-22.
R.13.	RESISTOR W. W. 35 Ω . $\frac{1}{2}$ W. $\pm 10\%$		R.14.	RESISTOR W. W. 150 Ω . $\frac{1}{2}$ W. $\pm 10\%$	
C.1.	CAPACITOR MICA SIMPLY TYPE IF 100pf. $\pm 15\%$		P L.1.	PILOT LIGHT 6.3 V. .3 Amp. M.E.S. BASE.	47-2.
C.2.	" PAPER .05 MF 200 V. $\pm 15\%$		R.15.	RESISTOR CARBON 390 K Ω . $\frac{1}{2}$ W. $\pm 10\%$	
C.3.	" TRIMMER Hy.Q. 5-50 pf.		I.F.T. 14.	I. F. TRANSFORMER 455 K.C. (2 OFF)	24-14.
C.4.	" STROM. CARLST. or A.W.A. 2 GANG.		SPEAKER.	ROLA 5-7. H. 7000-35 Ω . DGB. 96.	
C.5.	" WIRE TRIMMER 0-30 pf.			MAGNOVOX 5" DIA 7000-2.7 Ω .	
C.6.	" MICA 435 pf. $\pm 2\frac{1}{2}\%$			SPEAKER TRANSFORMER DETACHED.	
C.7	" " 50 pf. $\pm 15\%$		T.	POWER TRANSFORMER.	18-88
C.8.A.B.	" " 250 pf. $\pm 15\%$		SW.1.	SWITCH 2 POL. 2 POS.	17-39.
C.9.	" " 500 pf. $\pm 15\%$				

NOTES.

ALL VOLTAGE MEASUREMENTS WERE TAKEN WITH RESPECT TO EARTH WITH A METER 20,000 Ω /VOLT ON D.C. AND 1,000 Ω /VOLT ON A.C. FREQUENCY COVERAGE - 535 Kc/s. TO 1660 Kc/s. CORRECT PHASING OF SPEAKER TRANSFORMER SECONDARY IS ESSENTIAL. S.56. MAINS SWITCH IS ACTUATED BY POTENTIOMETER SPINDLE. WHEN ORDERING REPLACEMENT PARTS, PLEASE STATE THE FOLLOWING:- RECEIVER, MODEL N $^{\circ}$, CHASSIS N $^{\circ}$, CIRCUIT DESIGNATION, GENERAL DESCRIPTION.

MATERIAL	PLANNED	PROJECT	QTY.	PROJECT	QTY.	PROJECT	QTY.
GAUGE							
FINISH							
Prescription No.							
RECEIVER A.C.		11-48.		Went to Dimensions only. Unless otherwise specified. Tolerances to be read as:- \pm on Fractions, \pm on Decimals.			
Before production is commenced 2 samples must be submitted to Drawing Office for approval.				ISSUE 1			
This Drawing must be returned to KRIESLER AUSTRALASIA PTY. LTD., 43 ALICE STREET, NEWTOWN. SCALE							

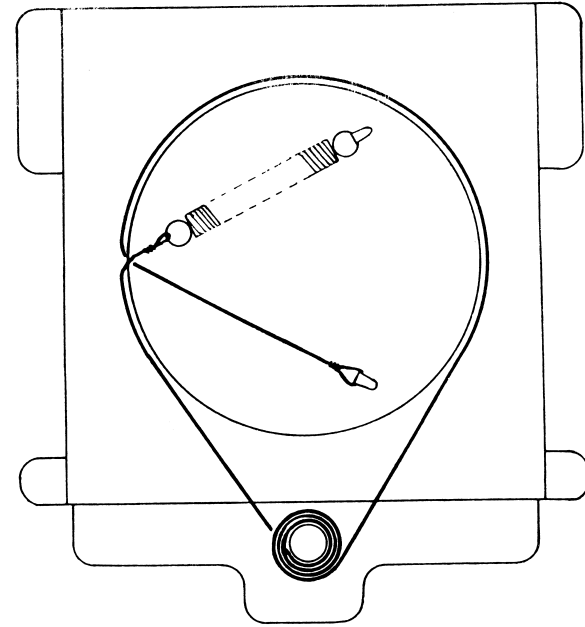


View from underside of Panel.

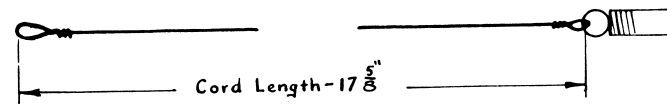
MATERIAL	Before production is commenced 2 samples must be submitted to Drawing Office for approval.							
FINISH	Work to Dimensions only.	DRAWN	R. L. K.	3/16/54	USED ON	USED ON	QTY.	QTY.
	TOLERANCES: Unless otherwise specified Tolerances to be read as:—	CODING						
	+ On Fractions. + on Decimals.	PLANNING						
SCALE	Prescription No.	CHECKED						
DIAL DRIVE LAYOUT		11-48-11-51.		ISSUE	1			
SHEET No.	This Drawing must be returned to			APPROVED		Card No.		
No. of Sheets.	KRIESLER (A'SIA) PTY. LTD.			43 ALICE ST., NEWTOWN, SYDNEY.		File No.		

To Remove Chassis:-

Remove three control knobs, two screws in back of cabinet, and four screws in base of cabinet. Remove loose back of cabinet, and chassis can be removed through rear of cabinet.



Viewed from rear of receiver with 'gang' in closed position.



MATERIAL								
FINISH								
Before production is commenced 2 samples must be submitted to Drawing Office for approval.								
Work to Dimensions only.	DRAWN	L. T. B.	19-7-55	USED ON	QTY.	USED ON	QTY.	
TOLERANCES: Unless otherwise specified Tolerances to be read as:—	CODING			11-50	1.			
+ On Fractions. + on Decimals.	PLANNING							
SCALE	Prescription No.	CHECKED	R. L. K.	28-7-55				
DIAL CORD LAYOUT.					11-50.			
SHEET No.	This Drawing must be returned to			APPROVED		Card No.		
No. of Sheets.	KRIESLER (A'SIA) PTY. LTD.			43 ALICE ST., NEWTOWN, SYDNEY.		File No.		