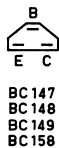
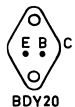
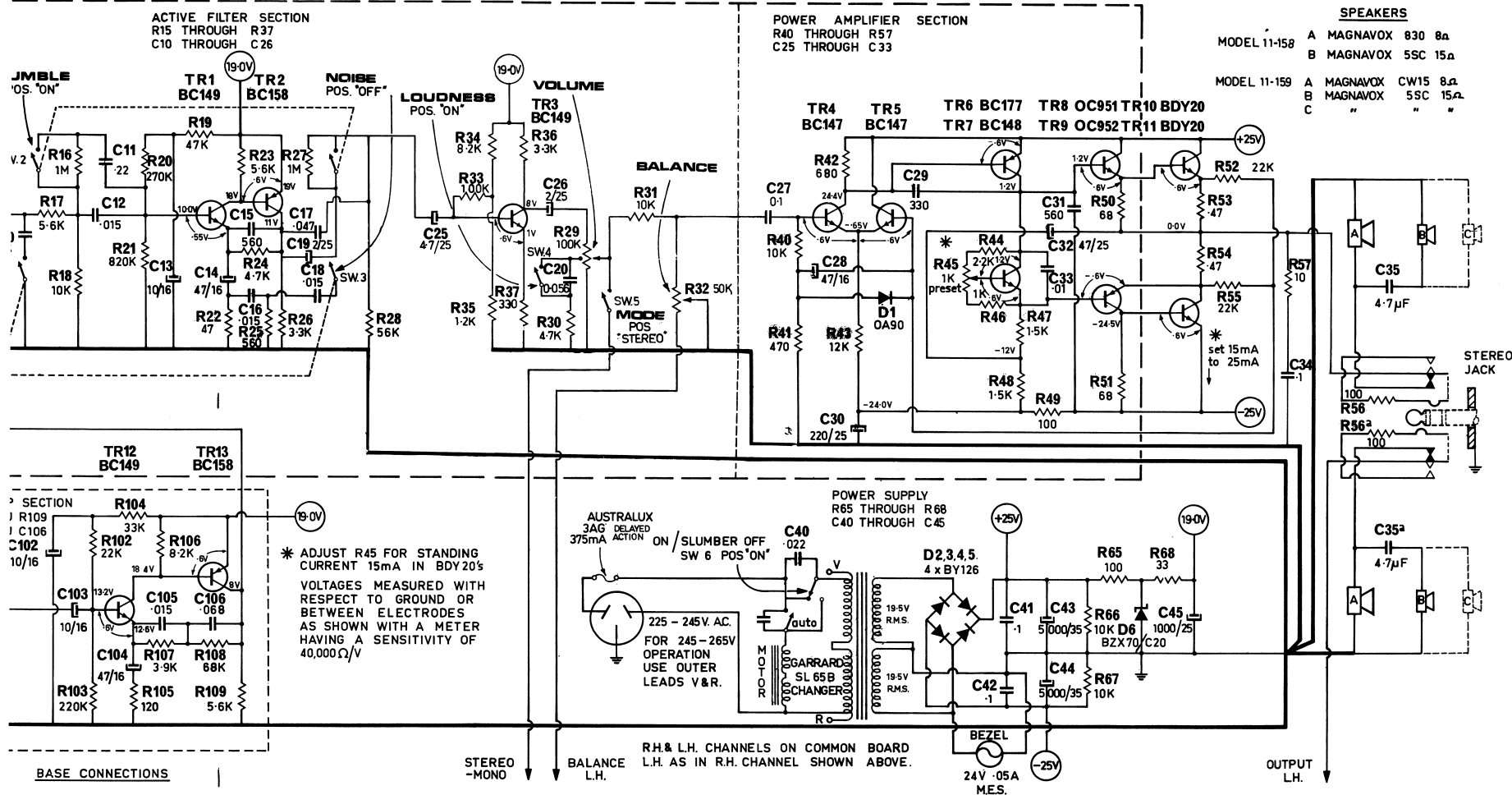
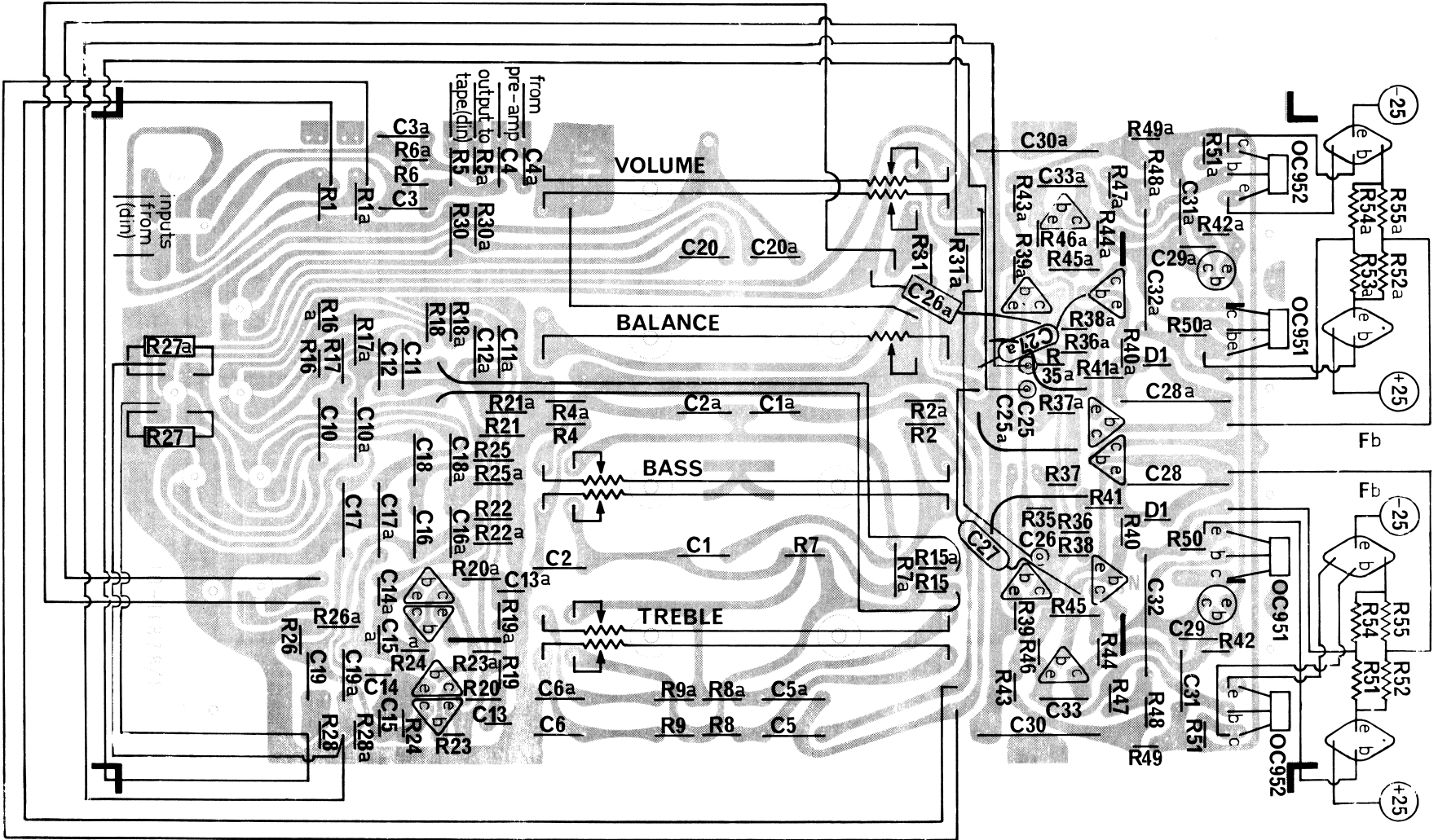


MODEL 11-158&9

ISSUE 2, 10-12-71.

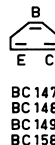
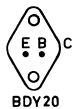
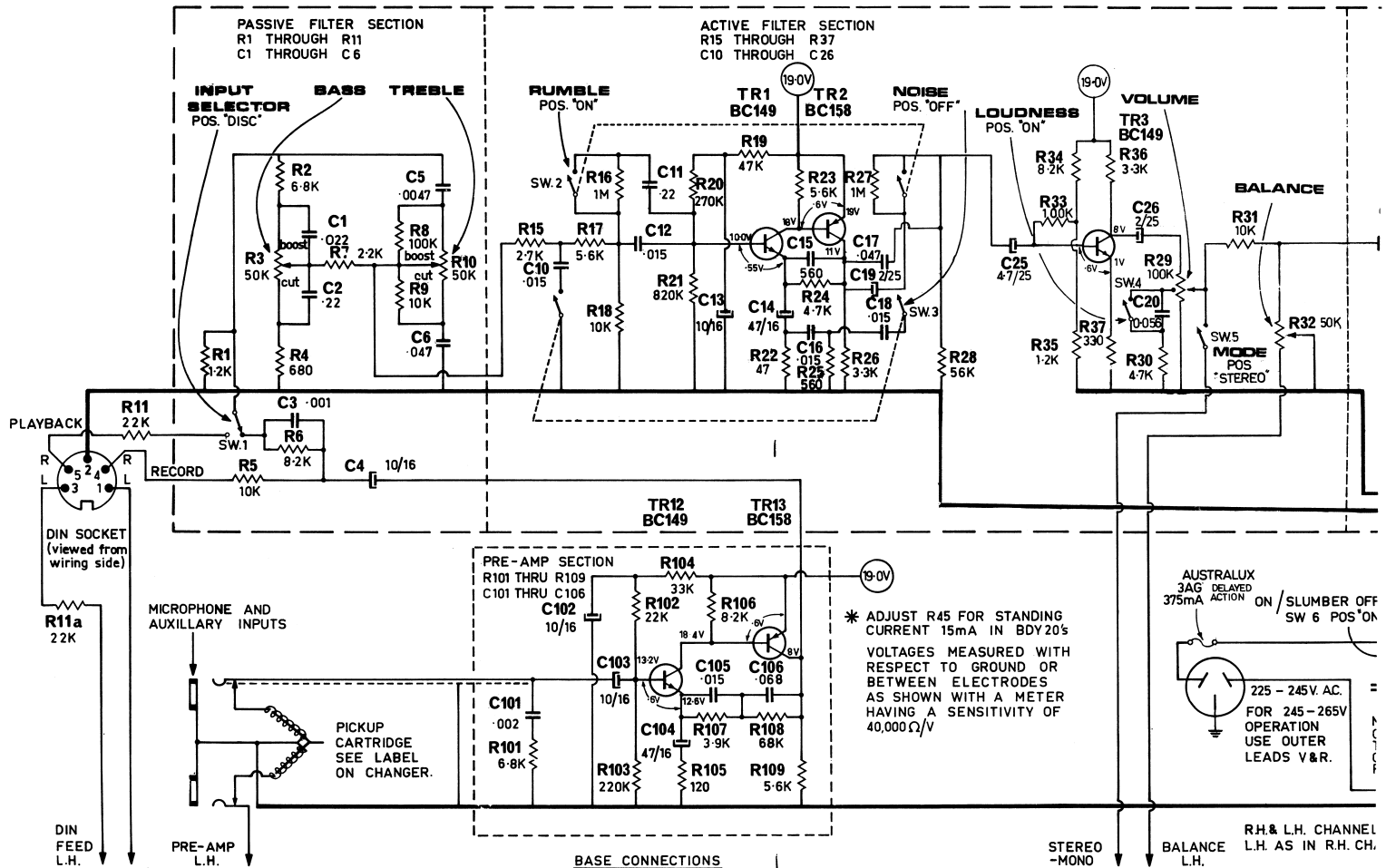


THIS CIRCUIT DIAGRAM IS PROVIDED FOR TECHNICAL GUIDANCE ONLY AND MAY DIFFER IN SOME DETAILS WITH THE APPARATUS TO WHICH IT IS ATTACHED.
FOR ADDITIONAL INFORMATION REFER TO THE CURRENT TECHNICAL SERVICE DOCUMENTATION OR CONTACT YOUR NEAREST KRIESLER SERVICE DEPARTMENT.



MODEL 11-158&9

ISSUE 2, 10-12-71.



THIS CIRCUIT DIAGRAM IS PROVIDED FOR TECH IN SOME DETAILS WITH THE APPARATUS TO FOR ADDITIONAL INFORMATION REFER TO THE OR CONTACT YOUR NEAREST KRIESLER SERV