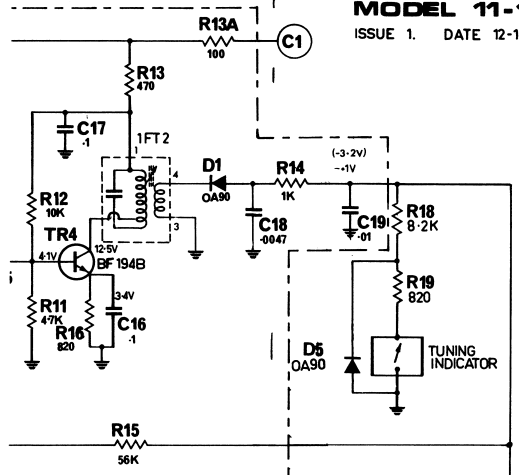


MODEL 11-156

ISSUE 1. DATE 12-10-71



SPEAKERS

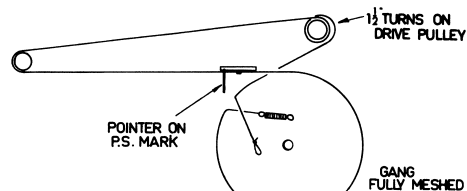
- 'A' C15W 3-5Ω MAGNAVOX
- 'B' C55C 8Ω MAGNAVOX

VOLTMETER READING

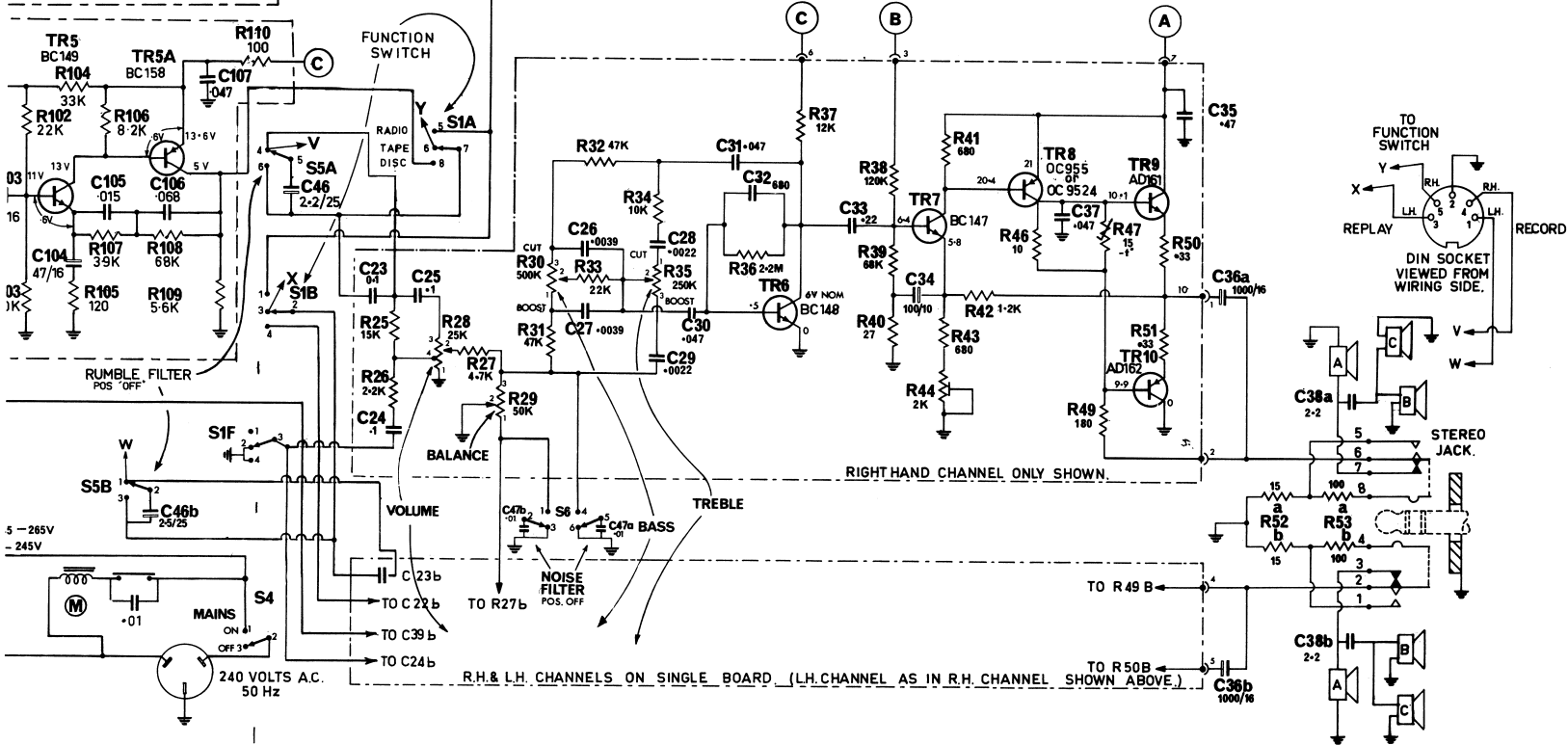
ALL VOLTAGES SHOWN ARE RELATIVE TO EARTH NO SIGNAL CONDITIONS USING A 40,000Ω/VOLT METER
VOLTAGES BRACKETED (RF BOARD) UNDER AVERAGE SIGNAL CONDITIONS.

FUSE LAMPS

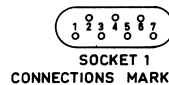
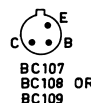
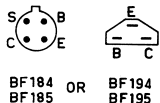
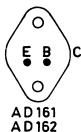
A WIRED FUSE IN SERIES WITH LAMP SUPPLY IS LOCATED IN POWER SUPPLY ON TAG STRIP ADJACENT TO POWER TRANSFORMER (0-012 TINNED COPPER)



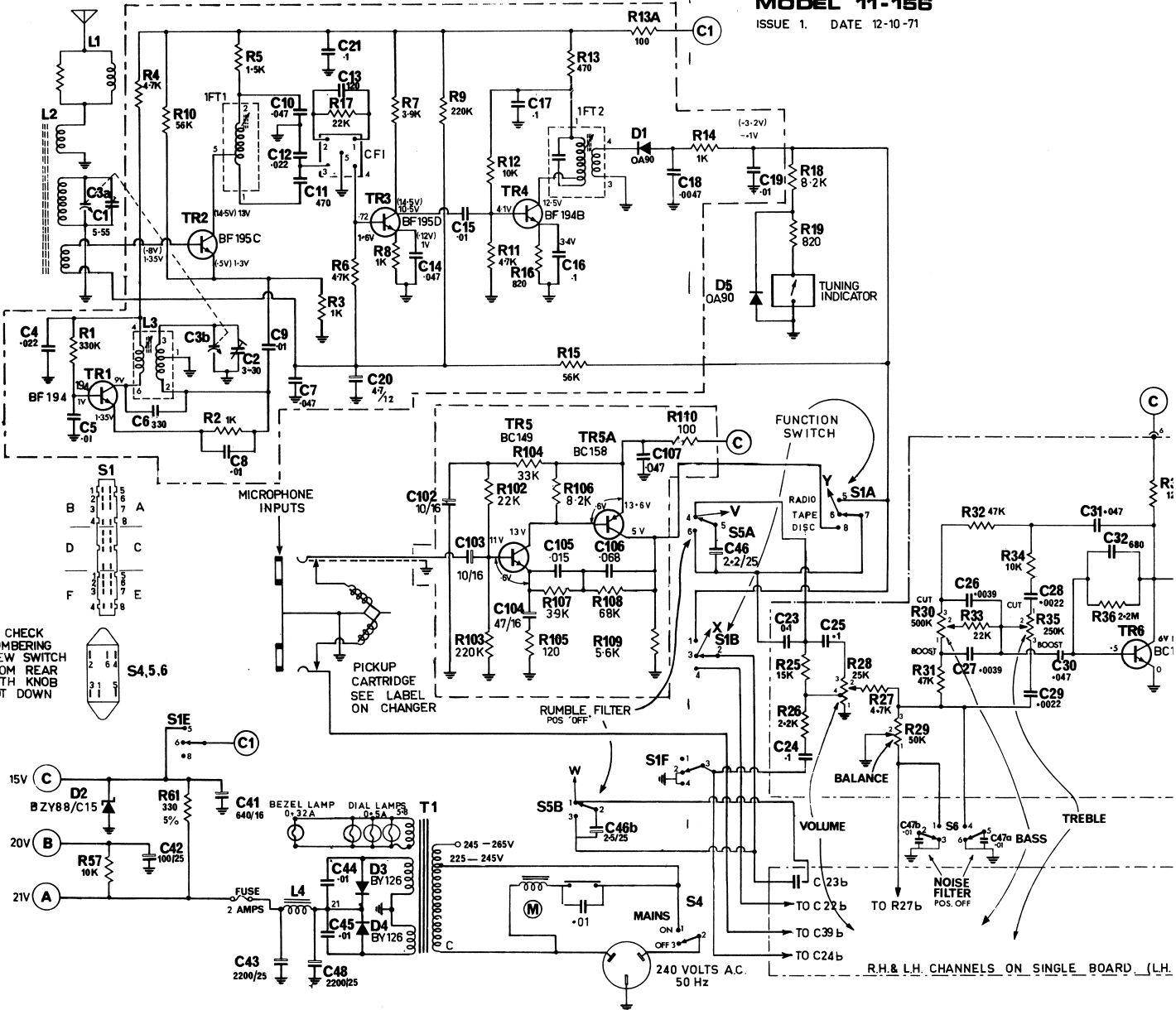
DIAL CORD ARRANGEMENT (LENGTH 46)



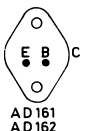
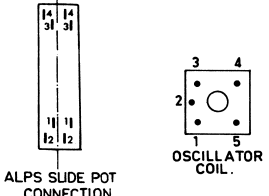
BASE CONNECTIONS



FOR TECHNICAL GUIDANCE ONLY AND MAY DIFFER IN SOME DETAILS WITH THE APPARATUS TO WHICH IT IS ATTACHED
ER TO THE CURRENT TECHNICAL SERVICE DOCUMENTATION OR CONTACT YOUR NEAREST KRIESLER SERVICE DEPARTMENT.



TO CHECK NUMBERING VIEW SWITCH FROM REAR WITH KNOB DOT DOWN



BASE CONNECTIONS



THIS CIRCUIT DIAGRAM IS PROVIDED FOR TECHNICAL GUIDANCE ONLY AND MAY DIFFER IN SOME DETAILS WITH THE APPARATUS TO WHICH IT FOR ADDITIONAL INFORMATION REFER TO THE CURRENT TECHNICAL SERVICE DOCUMENTATION OR CONTACT YOUR NEAREST KRIESLER SERVICE