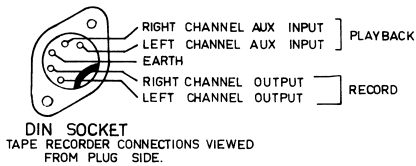
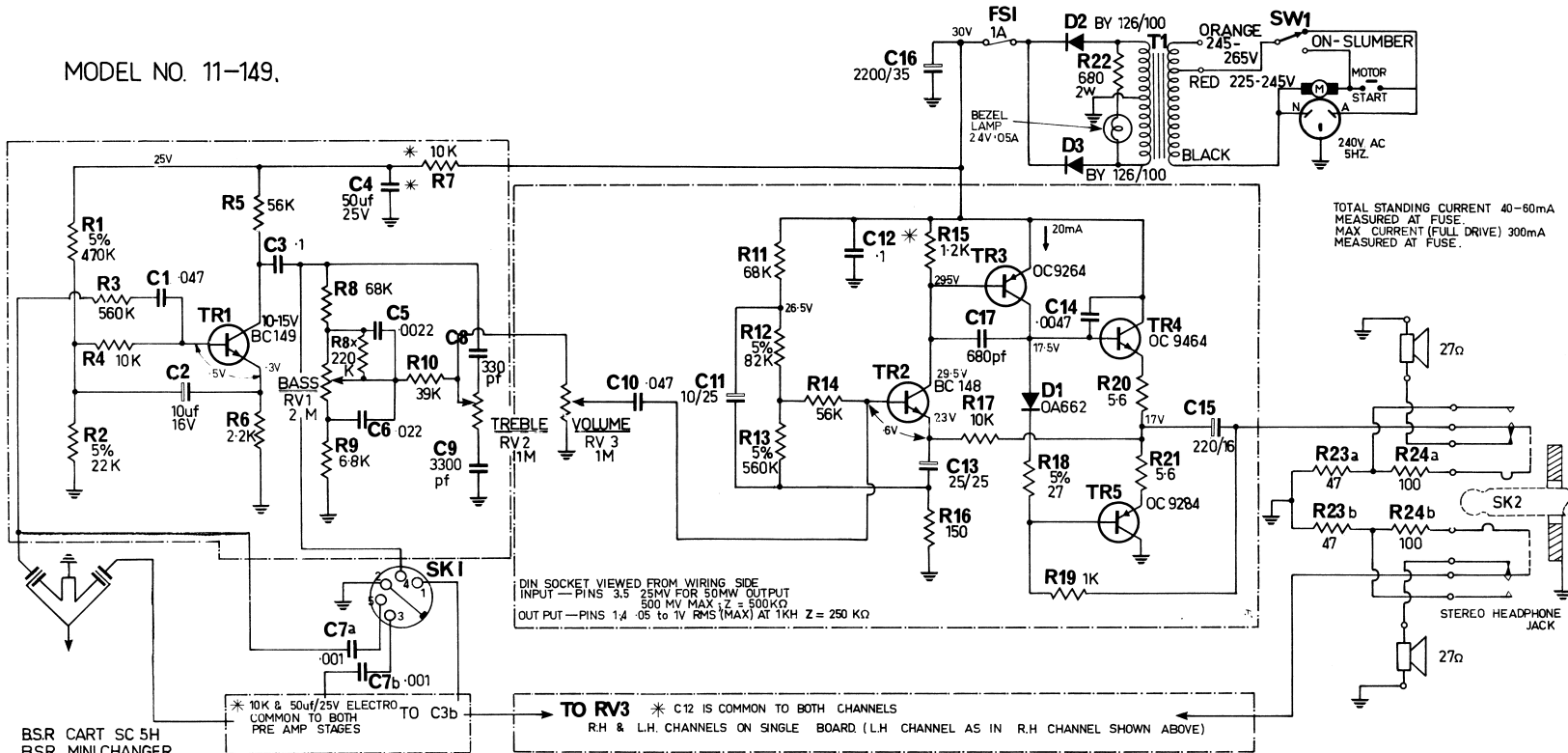
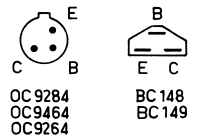


MODEL NO. 11-149.

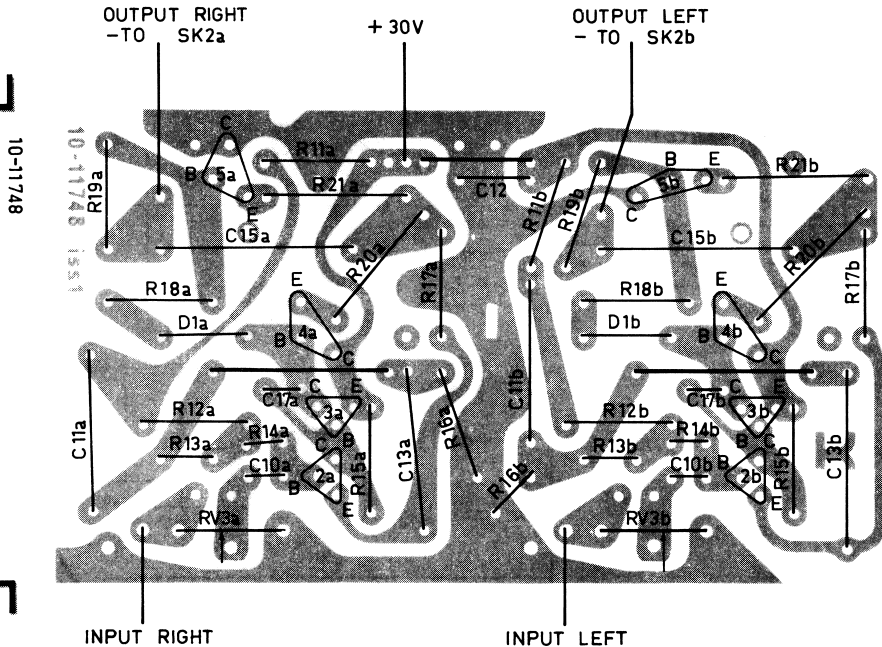


BASE CONNECTIONS

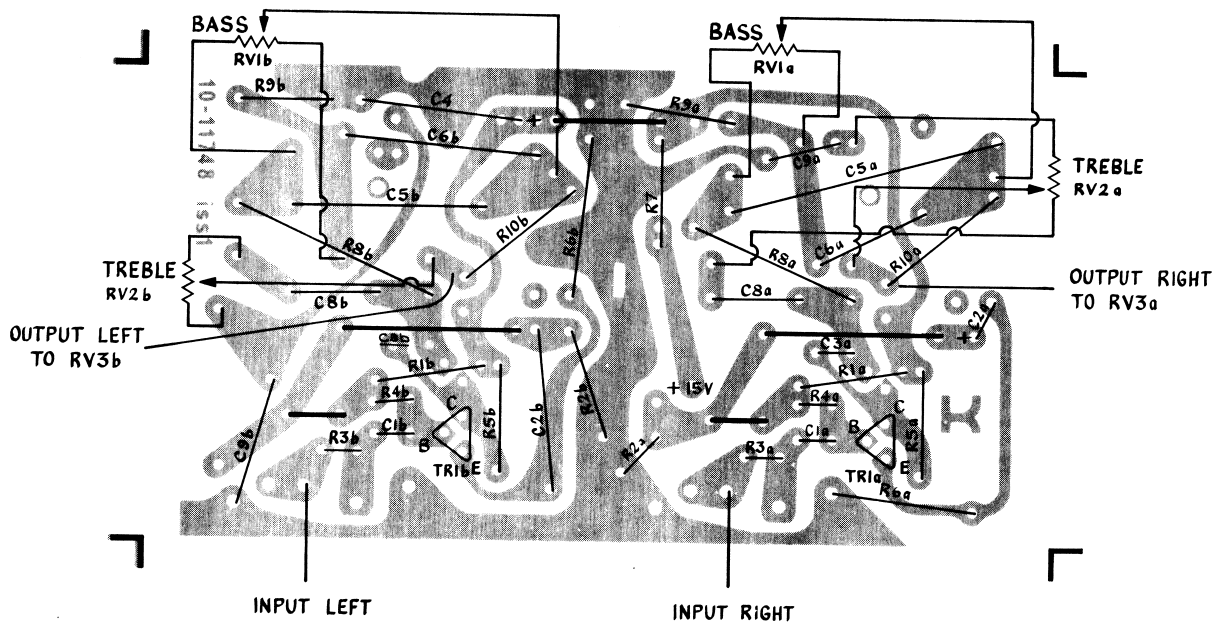


MODEL 11-148 / 149

MAIN AMPLIFIERS.



11-148 / 11-149

TONE CONTROL BOARD

INPUT LEFT
 INPUT RIGHT
 COMPONENT LAYOUT VIEWED FROM
 CONDUCTOR SIDE OF PRINTED
 WIRING BOARD.