

KRIESLER AUSTRALASIA PTY. LIMITED

12-30 Cawarra Road, Caringbah. P.O. Box 107, Caringbah. Telephone 5-2044

RADIO DATA SHEET No. 101

Model 11-101 is a 5-valve Broadcast Band stereophonic radiogram housed in a timber cabinet, with 13" legs.

RECORD CHANGER

BSR Model UA 25

STYLUS

ST3
Sapphire

SPEAKERS

7 x 5 MSP
750A15 15Ω

P.U. CARTRIDGE

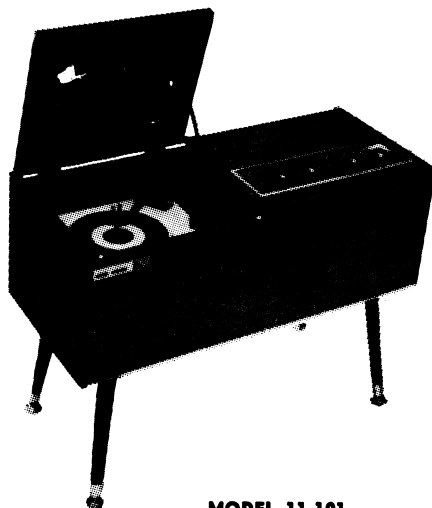
BSR CI ceramic

PRESSURE

6-8 gms.

MAINS SUPPLY. 200 to 250 volts, 50 c.p.s.
(240 V primary tapped at 220 V).

For operation on 40 c.p.s. supply, change power transformer, motor and drive pulley assembly to suitable types.



MODEL 11-101.

AERIAL. In difficult reception areas, or where the directivity of the inbuilt ferrite-rod aerial limits the orientation of the receiver, improved signal pick-up may be achieved by connecting an external aerial to the red lead at the rear of the receiver cabinet.

EARTH. If the mains earth is not a satisfactory radio earth, a separate earth may be connected to the black lead at the rear of the receiver cabinet.

DIMENSIONS. Length 34 $\frac{3}{8}$ ", Depth 15", Height 11 $\frac{1}{8}$ ", (plus legs). Packed weight, 67 lb.

TUNING RANGE. 525 to 1635 Kc/s. I.F. 455 Kc/s.

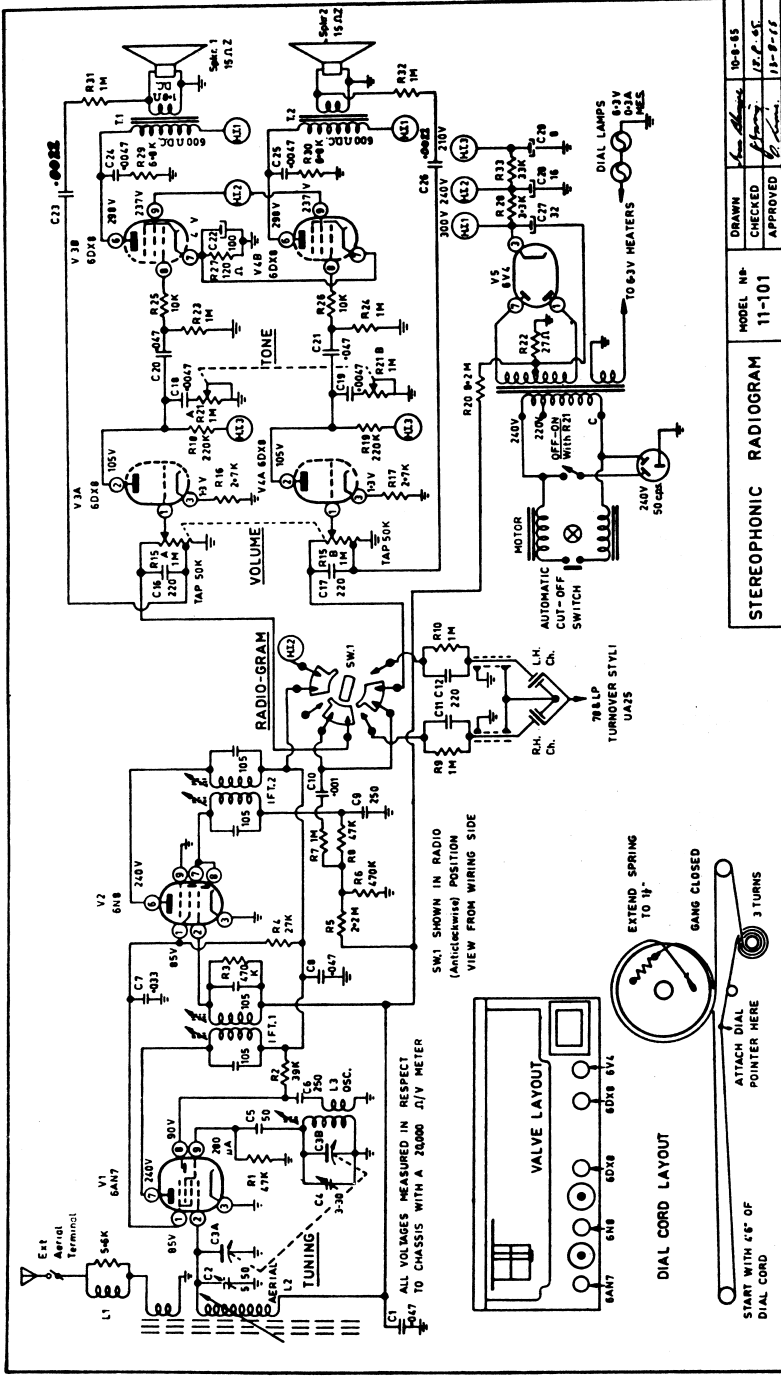
ALIGNMENT. Conventional.

CHASSIS ACCESS. Remove one No. 6PK screw from back of cabinet near the top centre of radio compartment. Raise the hinged section of cabinet top at rear of station dial scale. Remove one $\frac{3}{8}$ " Whit. screw securing each end of rear upper lip of chassis. Invert chassis as desired, resting it on wood rails running across inside of cabinet. Note that the pick-up lead and the speaker leads may be unplugged when so desired.

DIAL LAMP REPLACEMENT. Remove all control knobs. Invert chassis. Remove the countersunk screw at the centre of each end of the plate securing the chassis to the dial scale assembly. Remove the No. 4PK screw at the centre of each (long) side of the chassis plate. The chassis and dial scale assembly may now be separated for access to dial lamps. Note that by holding securely the dial lamp light diffuser in its correct position, the dial lamp socket may be withdrawn from its mounting hole and the lamp replaced without the necessity for separating the chassis plate from the dial scale assembly.

SPECIAL NOTE RECORD CHANGER. On all occasions of transporting this receiver the record changer transit screws should be tightened to prevent damage to the unit. On installation, the transit screws must be loosened and the record changer deck levelled to ensure correct sound reproduction.

RECORD CHANGER REMOVAL. Remove appropriate section of cabinet back and having unplugged the power cord from the mains supply, disconnect all leads to the changer. With transit screws fully in, reach under the changer and turn the clips on the ends of the transit screws so that they lie vertically. Lift the changer vertically out of its compartment.



STEREOPHONIC RADIOGRAM	MODEL NO.	DRAWN	CHECKED	APPROVED
11-101	11-101	<i>[Signature]</i>	<i>[Signature]</i>	<i>[Signature]</i>

ELECTRICAL PARTS LIST

Number	DESCRIPTION	Number	DESCRIPTION
R 1	47K	C 8	.047
R 2	39K	C 9	250
R 3	470K	C 10	.001
R 4	27K	C 11	220
R 5	2-2M	C 12	"
R 6	470K	C 16	"
R 7	1-0M	C 17	.0047
R 8	47K	C 18	"
R 9	1-0M	C 19	"
R 10	1-0M	C 20	.047
R 15a}	Vol. Cont. Dual Pot.	C 21	100mFD
R 15b}	32-6988	C 22	.0022
R 16	1-0M 50K	C 23	.0047
R 17	2-7K	C 24	"
R 18	220K	C 25	"
R 19	8-2M	C 26	.0022
R 20	Tone Cont. Dual Pot.	C 27	32mFD
R 21a}	1M S.P.Sw.	C 28	16mFD
R 21b}	32-6987	C 29	8mFD
R 22	27Ω		
R 23	1-0M		
R 24	"		
R 25	10K		
R 26	"		
R 27	120Ω		
R 28	3-3K		
R 29	6-8K		
R 30	"		
R 31	1-0M		
R 32	33K		
R 33	.047		
C 1	20% 200V Paper Ducon		
C 2	5-50 Mica Trimmer Ducon CWO 5-50		
C 3a}	305 Tuning Capacitor MSP 63-4721		
C 3b}	129 Oscillator section		
C 4	3-30 Wire trimmer, Philips		
C 5	10% 500V Mica Ducon MS		
C 6	250		
C 7	.033		
R 15a}	Vol. Cont. Dual Pot.		
R 15b}	32-6988		
R 16	1-0M 50K		
R 17	2-7K		
R 18	220K		
R 19	8-2M		
R 20	Tone Cont. Dual Pot.		
R 21a}	1M S.P.Sw.		
R 21b}	32-6987		
R 22	27Ω		
R 23	1-0M		
R 24	"		
R 25	10K		
R 26	"		
R 27	120Ω		
R 28	3-3K		
R 29	6-8K		
R 30	"		
R 31	1-0M		
R 32	33K		
R 33	.047		
C 1	20% 200V Paper Ducon		
C 2	5-50 Mica Trimmer Ducon CWO 5-50		
C 3a}	305 Tuning Capacitor MSP 63-4721		
C 3b}	129 Oscillator section		
C 4	3-30 Wire trimmer, Philips		
C 5	10% 500V Mica Ducon MS		
C 6	250		
C 7	.033		
V 1	6AN7		
V 2	6N8		
V 3a, b	6DX8		
V 4a, b	6V4		
V 5	6V5		
TPB460	400V Paper Ducon		
DFB612	500V Mica Ducon MS		
DFB604	600V Styro Ducon		
TPB648	600V Paper Ducon		
TPB660	"		
DFB616	Philips C426/ARClA		
TPB648	600V Styro Ducon		
DFB616	600V Paper Ducon		
ET58	"		
ET48	"		
ET78	"		
MISCELLANEOUS			
V1	Valve		
V2	6AN7		
V3a, b	6N8		
V4a, b	6DX8		
V5	6V4		
Speakers	7x5		
Transformer, Power			
Output			
"			
I.F. I, I.F.2			
Loop Assembly, Aerial			
Oscillator Coil			
Aerial Matching Coil			
Power Connector			
Lead Connectors			
Dial Lamps	6-3V .3A Edison Screw		
Lamp Holders	EFCO No. 4		
TPB458			