

**AM Alignment Instructions**

SILVER MODEL 10TF-530.

- \* Volume control should be at Maximum.
- \* Output meter should be connected across the voice coil of speaker.
- \* SG signal should be radiated into the radio by the loop.

Step	Signal Generator Coupling	Band Switch Setting	Signal Generator Frequency	Radio Dial Setting	Adjust for MAX. output
1	Loop	BC	455KC	VC max.	T5. 6. 7 (IFT A. B. C)
2	//	BC	525KC	VC max.	L2 (AM OSC. coil)
3	//	BC	1630KC	VC min.	TC2 (AM OSC. Trimmer)
4	Repeat steps 2 & 3				
5	Loop	BC	600KC	600KC	L1 (AM ANT. coil)
6	//	BC	1400KC	1400KC	TC1 (AM ANT. Trimmer)
7	Repeat steps 5 & 6				

**FM TUNER****Specifications****TUNING RANGE**

88 — 108 MC

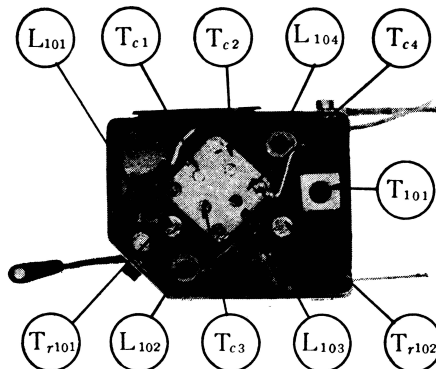
**INTERMEDIATE FREQUENCY**

10.7 MC

**TRANSISTOR COMPLEMENT**

2SA235 VHF RF Amp.

2SA235 VHF Conv.

**Component Locations**

# FM Alignment Instructions 1

Steps.	S.G. Connection	Oscillo Scope Connection	S.G. Frequency	Radio Dial Setting	Adjust gets for Fig 4 & 5 charts on oscillo scope
1	Fig 1	Fig 2	10.7 MC	VC MAX.	T3 (FM IFT C) Fig 4
2	"	"	"	"	T2 (FM IFT B) "
3	"	"	"	"	T1 (FM IFT A) "
4	"	"	"	"	T.01 (FM Tuner IFT) Fig 4
5	Repeat steps 1 & 4				
6	"	Fig 3	"	"	T4 (Discriminator Transformer) Fig 5

**Fig1**

FM Sweep Generator

C : 300PF  
R<sub>1</sub> : 250 KΩ  
R<sub>2</sub> : 150 KΩ  
D : IN34A

**Fig2**

**Fig3**

R<sub>1</sub> 1 KΩ

**Fig4**

10.7 MC

**Fig5**

10.7 MC

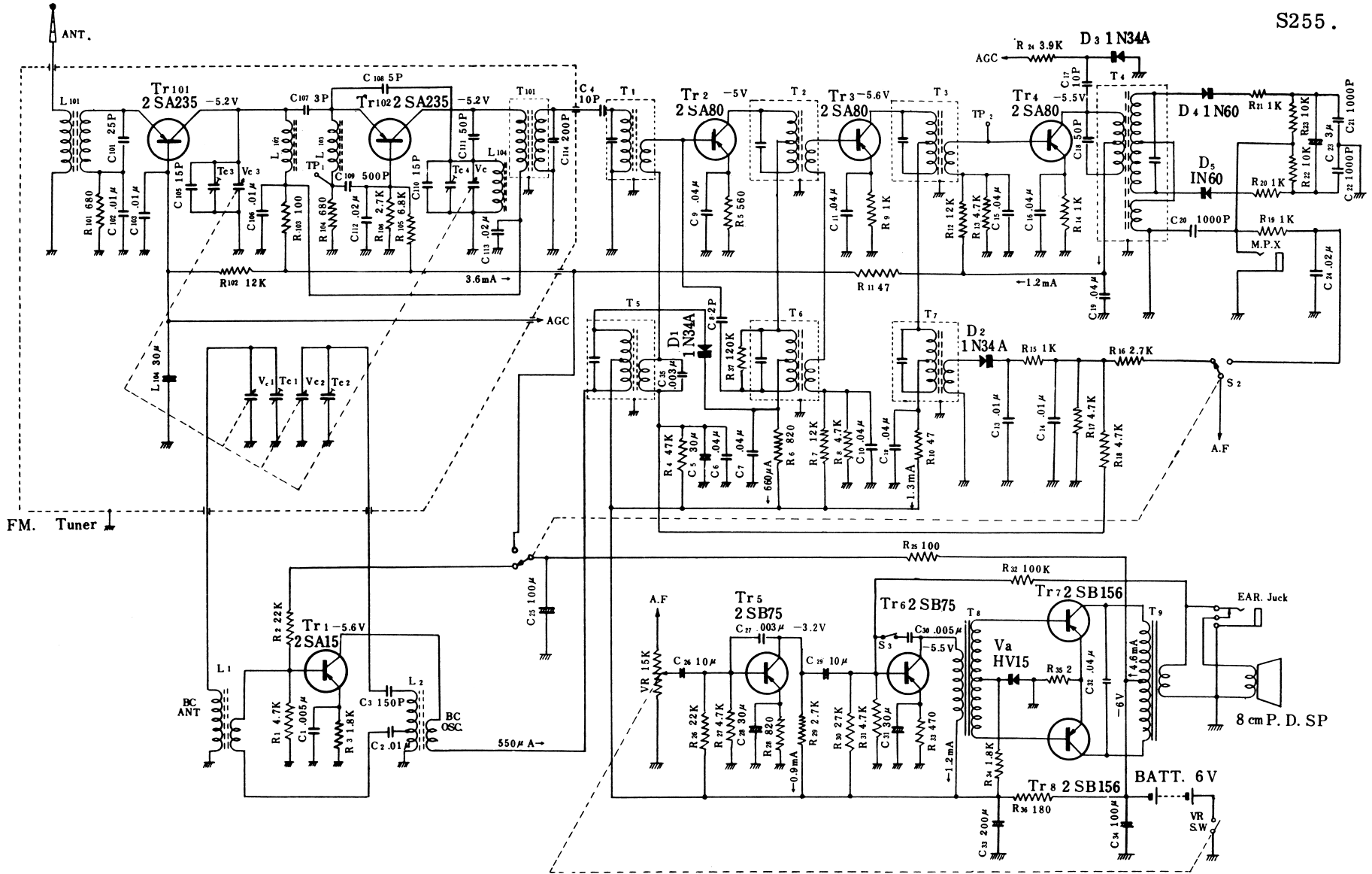
**Fig6**

S.G.

RADIO SET

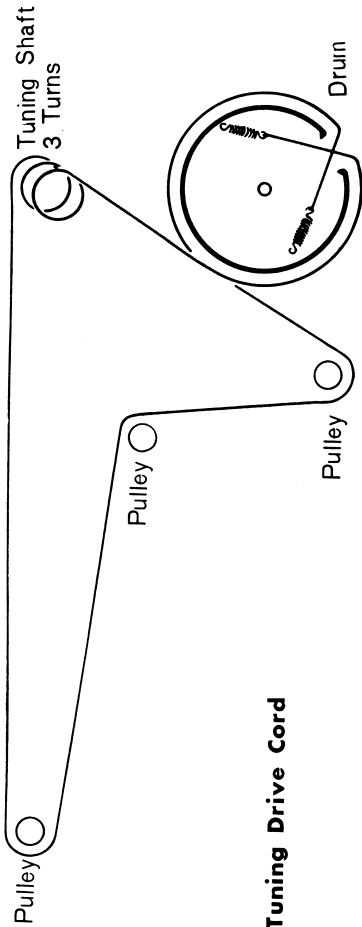
# FM Alignment Instructions 2

Step	S.G. Connection	S.G. Frequency	Radio Dial Setting	Adjust for get MAX. output
1	Fig 6	85 MC	VC Max.	L104 (FM OSC Coil)
2	"	110 MC	VC Mini.	TC4 (FM OSC Trimmer)
3	Repeat steps 1 & 2			
4	"	85 MC	VC Max.	L102 (FM RF Coil)
5	"	110 MC	VC Mini.	TC2 (FM RF Trimmer)
6	Repeat steps 4 & 5			



All resistance values in kilohms.  
 All capacitance values in MF except those indicated.

{ Error of Resistor  
 No mark 10%  
 ☆ mark 20%



Tuning Drive Cord

**SILVER**

FM / AM 10-Transistor Portable Radio

**MODEL 10TF-530***SERVICE DATA*

SHIRASUNA DENKI MFG. CO., LTD.

• These data are applied for Model 10TF-535 except those marked ✽

**Specifications**

TUNING RANGE	FM : 88 - 108 MC	2SB75	A-F Amp.
INTERMEDIATE	AM : 535 - 1605 KC	2SB156	Push-pull Output
FREQUENCY	FM : 10.7 MC	2SB156	Push-pull Output
	AM : 455 KC	IN34A	AM A. G. C.
ANTENNA SYSTEM	(1) AM : Built-in high gain ferrite bar antenna	IN34A	AM DET. & A. G. C.
	(2) FM : Disappearing telescopic antenna	IN34A	FM A. G. C.
TRANSISTOR		IN60	FM DET.
COMPLEMENT	2SA235 FM RF Amp.	IN60	FM DET.
	2SA235 FM Conv.	HV15	Temperature Compensator
	2SA15 AM Conv.	350 mW (Maximum)	
	2SA80 FM AM I-F Amp.	250 mW (Undistorted)	
	2SA80 FM AM I-F Amp.	3" PM Dynamic Speaker	
	2SA80 FM AM I-F Amp.	Multipler & Earphone Jack	
	2SB75 A-F Amp.	4 Penlite batteries (Eveready 915 or Berec U12)	
		7 1/2" wide, 4 1/4" high, 1 3/4" deep	
		1 lb, 15 ozs. (with batteries)	

## DIODE

VARISTOR  
POWER OUTPUTSPEAKER  
OUTPUT JACK  
BATTERYDIMENSIONS  
WEIGHT