

# 108, 108Z, 108AZ

## SERVICE DATA

# PHILIPS RADIOPLAYER MODEL 108, 108Z, 108AZ

## MODIFICATIONS

**NOTE.**—The suffix letter Z, in all cases, refers to the use of the cabinet which has a cloth covered baffle, as distinct from the original cabinet fitted with the bakelite louvred baffle.

### MODEL 108

**ERRATUM.**—The following condenser was omitted from the circuit diagram and parts list of the original Model 108 Service Data sheet.

C24 0.1 mfd paper 200V

Its circuit position is between B+ and chassis.

### MODEL 108Z

For details other than those quoted below, refer to the original Model 108 Service Data sheet.

#### PARTS NOT SHOWN ON CIRCUIT DIAGRAM.

Assembly, baffle	CR.005.213	Cloth, speaker baffle	CE.082.00
Assembly, dial back plate (black)	CR.280.203	Knob (gold lined)	CR.523.641
Bracket, speaker clamping	CR.272.000		
Cabinet, walnut	CS.460.462	Liner, black paper for dial back plate	CS.430.825

### MODEL 108AZ

#### PARTS NOT SHOWN ON CIRCUIT DIAGRAM

Refer to the original Model 108 sheet and list published above for Model 108Z.

## VALVE EQUIPMENT AND VOLTAGE ANALYSIS

Valve Function	Valve No.	Valve Type	Plate Volts	Screen Volts	Bias Volts	Bias Resistor
Frequency Converter	V1	1R5	39	39	0	—
1st I.F. Amplifier	V2	1T4	49	49	0	—
2nd I.F. Amplifier	V3	1T4	84	49	0	—
Demodulator, A.V.C. and 1st Audio	V4	1H5GT	13	—	0	—
Power Amplifier	V5	1Q5GT	82	84	-6	R16

**NOTE:** All voltages are measured with an "1,000 ohms per volt" meter and may vary  $\pm 10\%$  from the quoted figures. Measurements are made from the appropriate socket points, or resistor stated, to chassis. The 250 volts scale should be used for all readings other than bias, which is read on the 10 volt scale. The receiver should be in a "no signal" condition.

## PARTS LISTS

The parts lists are the same as those for the original Model 108 with the following exceptions (refer Circuit Diagram overleaf).

C7 changed to 30 pfd air trimmer

C32 (additional) 0.1 mfd paper 200V

R10 changed to 0.7 megohm potentiometer CZ.029.301

R17 (additional) 25,000 ohms 1/2W carbon

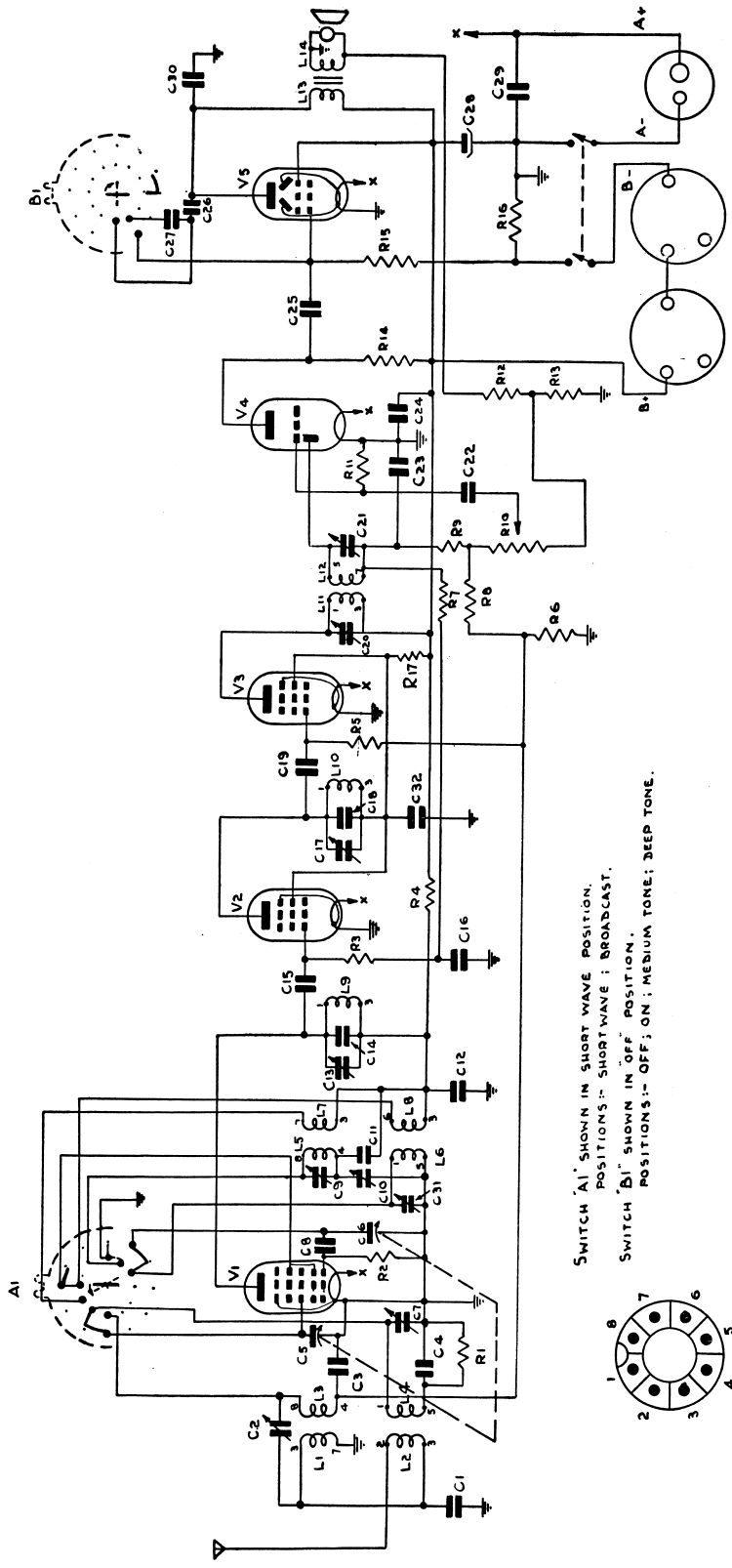
L9 changed to CZ.320.411  
7 ohms

L10 changed to CZ.320.610  
7 ohms

# 108, 108Z, 108AZ

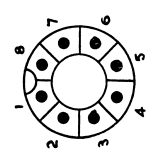
## SERVICE DATA

L	12, 34,	56, 78	9	10	11, 12,	13, 14,
C	1,	2,	3, 4, 5, 7,	8, 6, 31, 9, 10, 11,	12, 13, 14,	15, 16,
R	1,	2,	3,	4,	5,	6, 7, 8, 9, 10,
V	1,	2,	3,	4,	5,	6, 7, 8, 9, 10,
L						11, 12,
C						13, 14,
R						15, 16,
V						17, 18, 19,
						20, 21, 22, 23,
						24, 25, 26, 27,
						28, 29, 30,
						31, 32,



SWITCH 'A1' SHOWN IN SHORT WAVE POSITION.  
POSITIONS: - SHORT WAVE; BROADCAST.

SWITCH 'B1' SHOWN IN OFF POSITION.  
POSITIONS: - OFF; ON; MEDIUM TONE; DEEP TONE.



COIL BASE NUMBERING  
LUG VIEW

BACK VIEW OF PLUG.