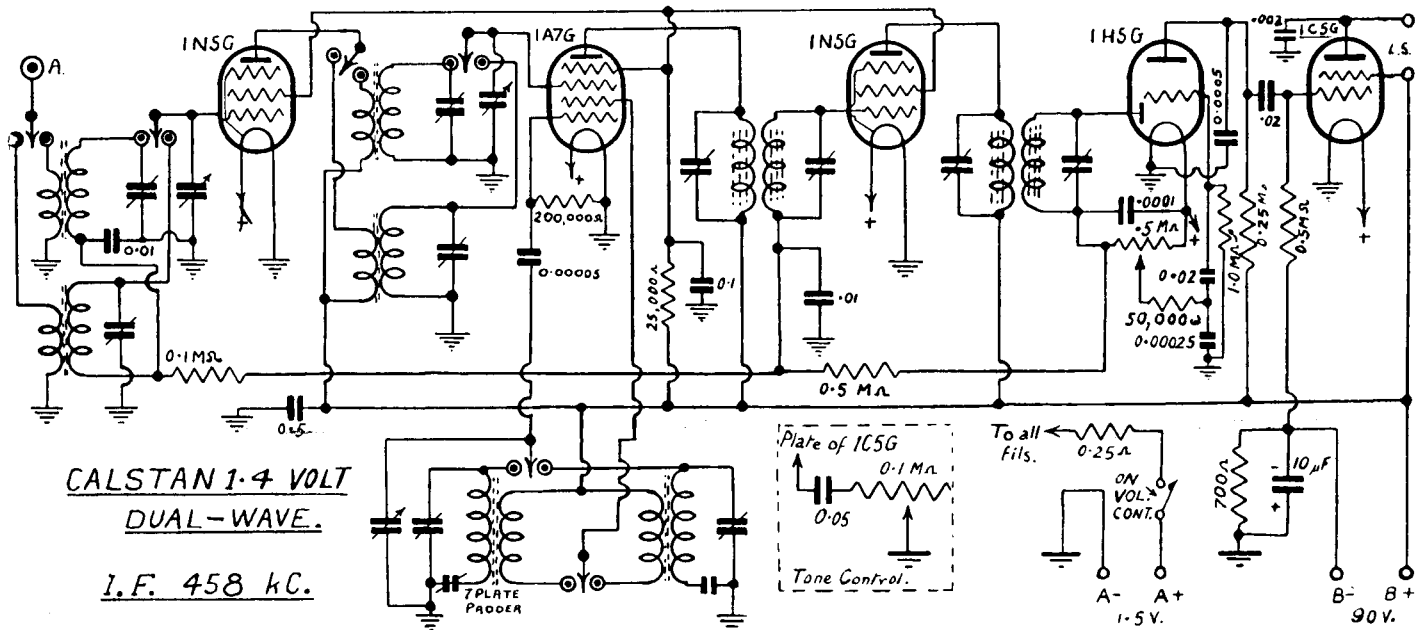


"Calstan" 1.4 Volt Dual-Wave Portable and Mantel



The Calstan "1.4 volt" dual-wave receiver is primarily designed for portable service and is made up on a compact chassis with the speaker built on to the frame. The speaker is a Rola six-inch dust-proof unit with an 11 oz. magnet and a transformer input impedance of 8,000 ohms. Power supply for this receiver is obtained from a 1.5-volt "A" battery and two series-connected 45-

volt "B" batteries. No bias batteries are required as the bias for the output pentode is obtained from the voltage drop across the 700 ohms resistor in the "B negative" lead. Normally, the "A" and "B" batteries are housed in a specially shaped metal container, which fits around and behind the loudspeaker.

In addition to its portable structure this chassis is also fitted to a compact

moulded cabinet of the table type. Occasionally it may be found that the batteries are built into this cabinet in the same manner as they are incorporated in the portable model, but where the receiver is employed for regular domestic use it usually will be found that larger batteries are employed, externally to the cabinet, and connected to the receiver by extension leads.