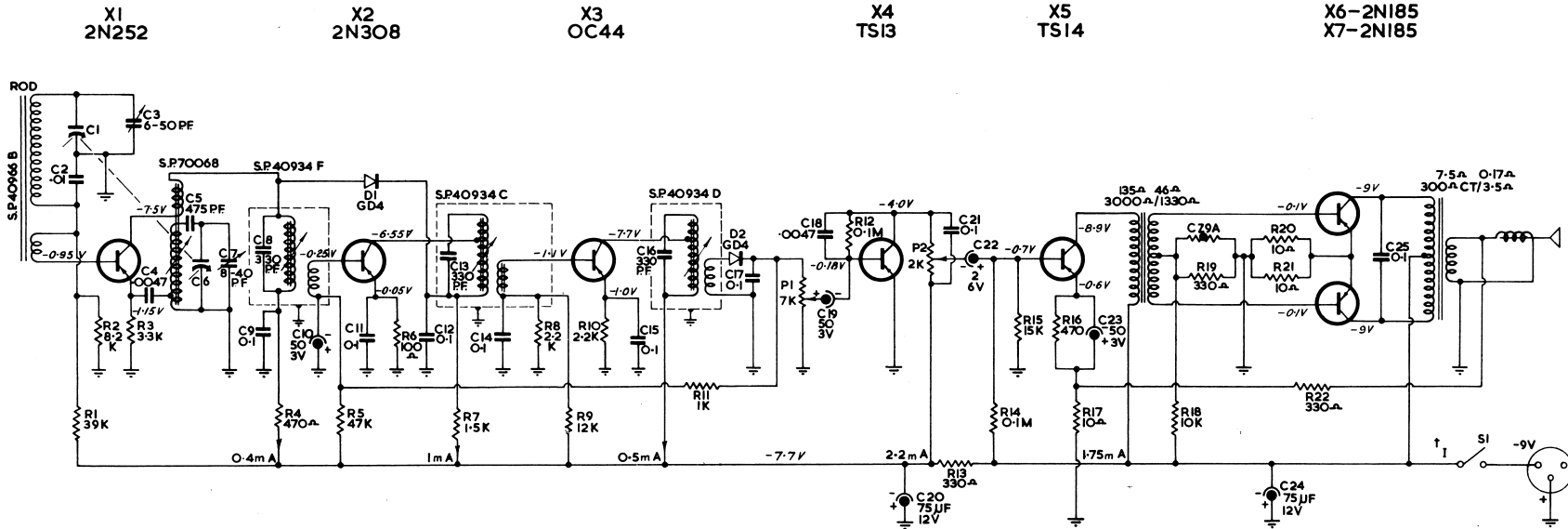




MODEL TR 7192

PORTABLE RECEIVER



- NOTES:— 1. C1 C6 10-375 PF GANGED.
 2. INTERMEDIATE FREQUENCY 455 K/C/S
 3. CURRENT I_1 IS AS FOLLOWS
 8-16mA NO SIGNAL
 30-50mA NORMAL OPERATION
 60-80mA FULL OUTPUT SINE WAVE INPUT
 4. CAPACITANCE IN M.F. UNLESS OTHERWISE STATED.
 5. ALL VOLTAGES WERE MEASURED WITH
 A 20000 OHM PER VOLT METER.
 6. THE TOLERANCE ON THE STATED VOLTAGES IS $\pm 20\%$
 7. DIAL SCALE SP40956

MANUFACTURER RESERVES THE
 RIGHT TO CHANGE COMPONENTS AND
 CIRCUIT ARRANGEMENTS WITHOUT NOTICE.