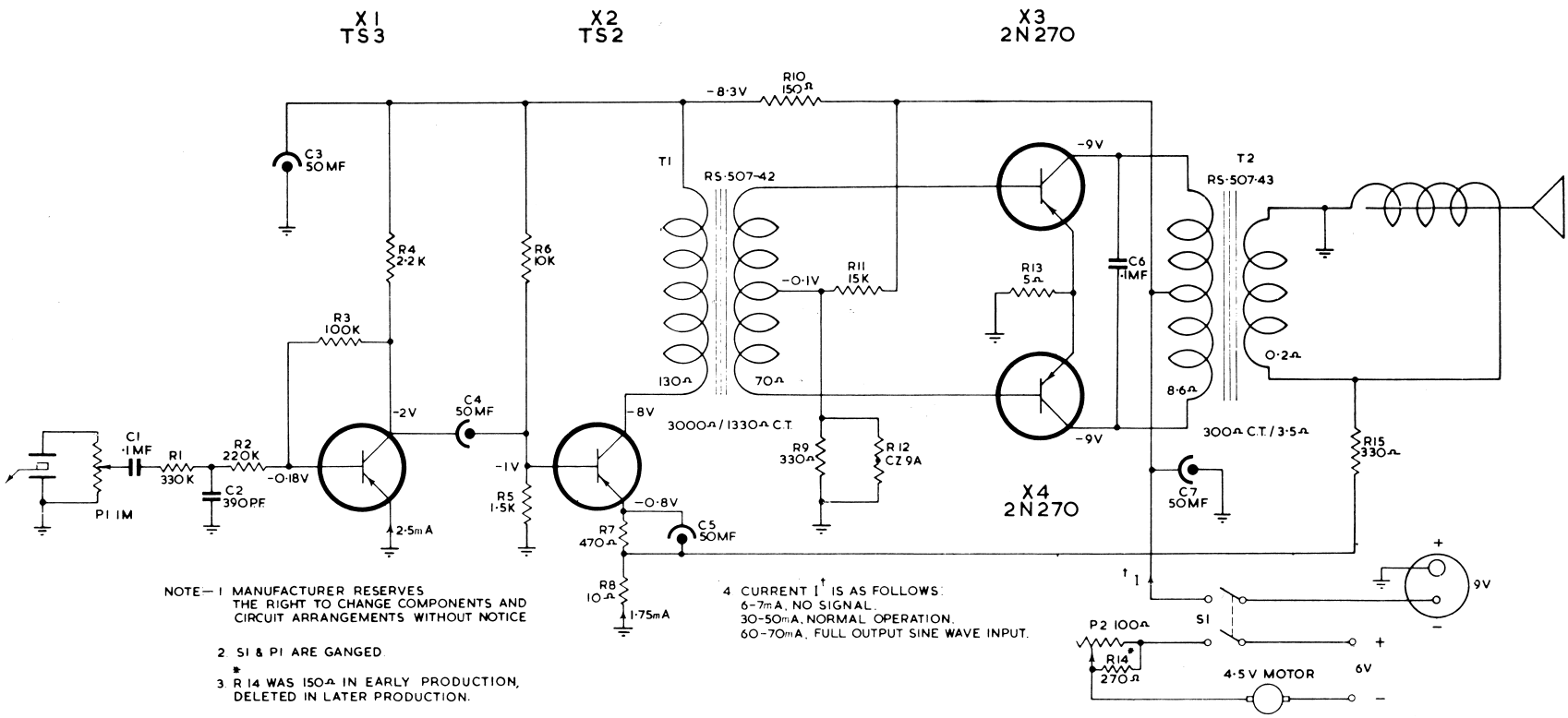




# MODEL TG 4080



NOTE—1 MANUFACTURER RESERVES THE RIGHT TO CHANGE COMPONENTS AND CIRCUIT ARRANGEMENTS WITHOUT NOTICE

- 2 S1 & P1 ARE GANGED
- 3 R14 WAS 150Ω IN EARLY PRODUCTION, DELETED IN LATER PRODUCTION.

4 CURRENT I<sup>↑</sup> IS AS FOLLOWS:  
 6-7mA, NO SIGNAL.  
 30-50mA, NORMAL OPERATION.  
 60-70mA, FULL OUTPUT SINE WAVE INPUT.