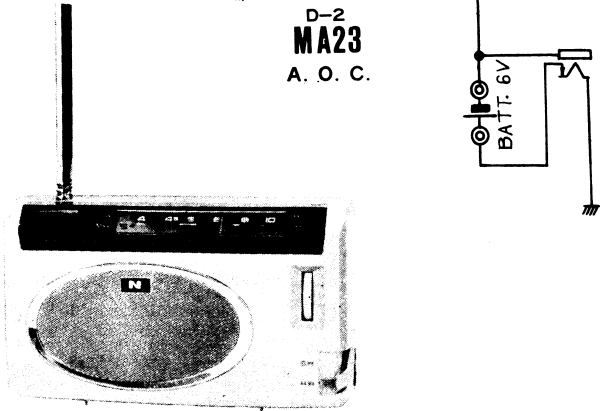
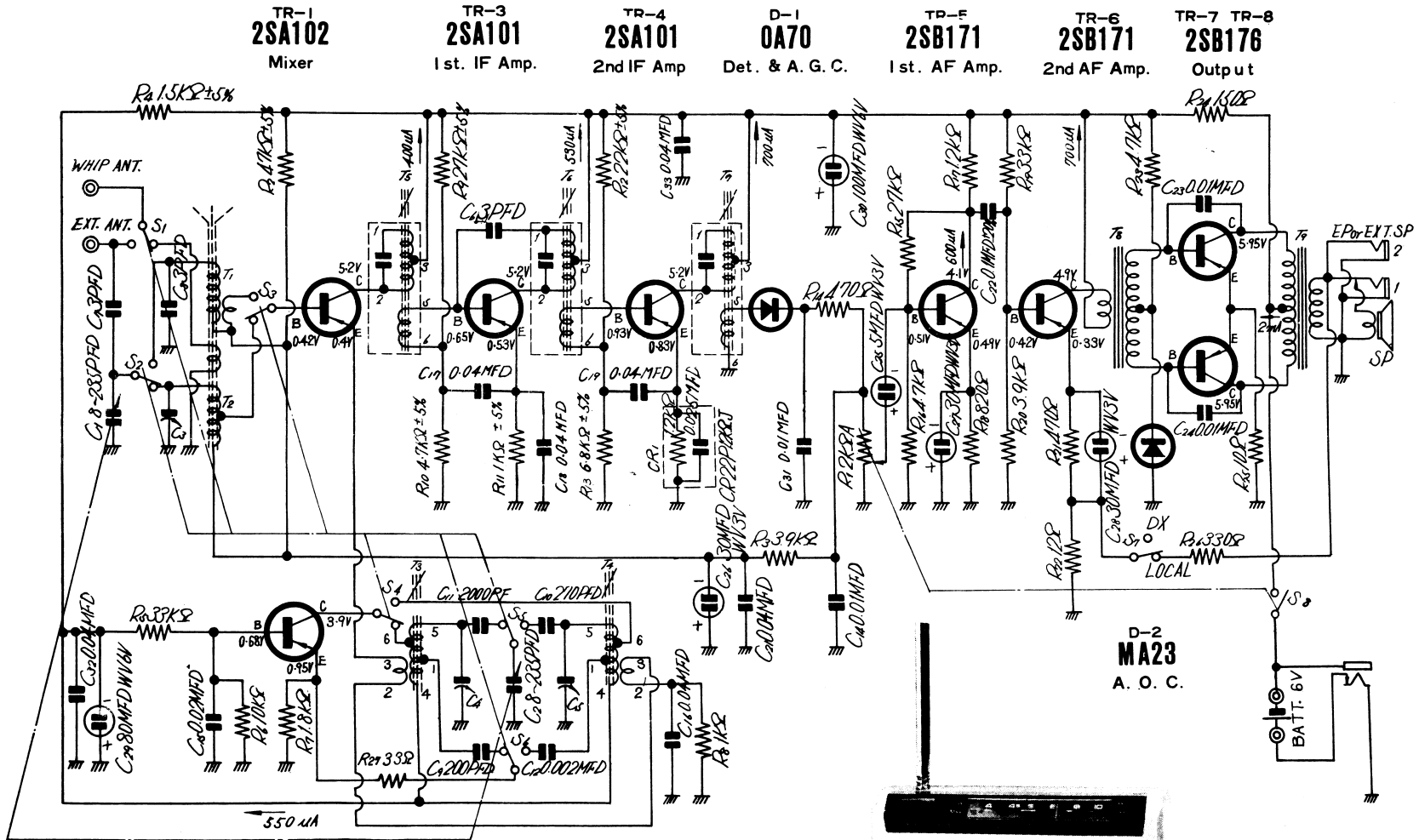
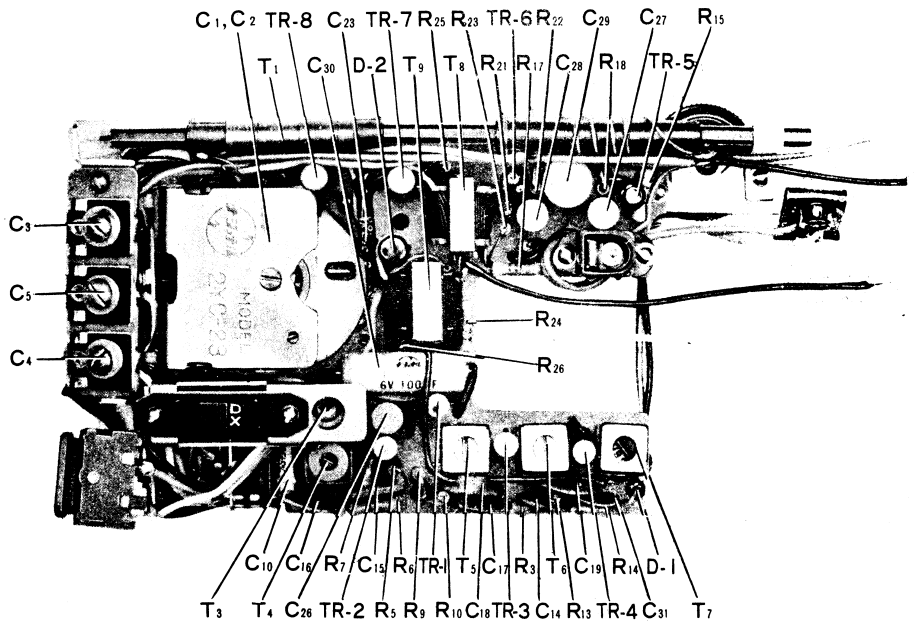


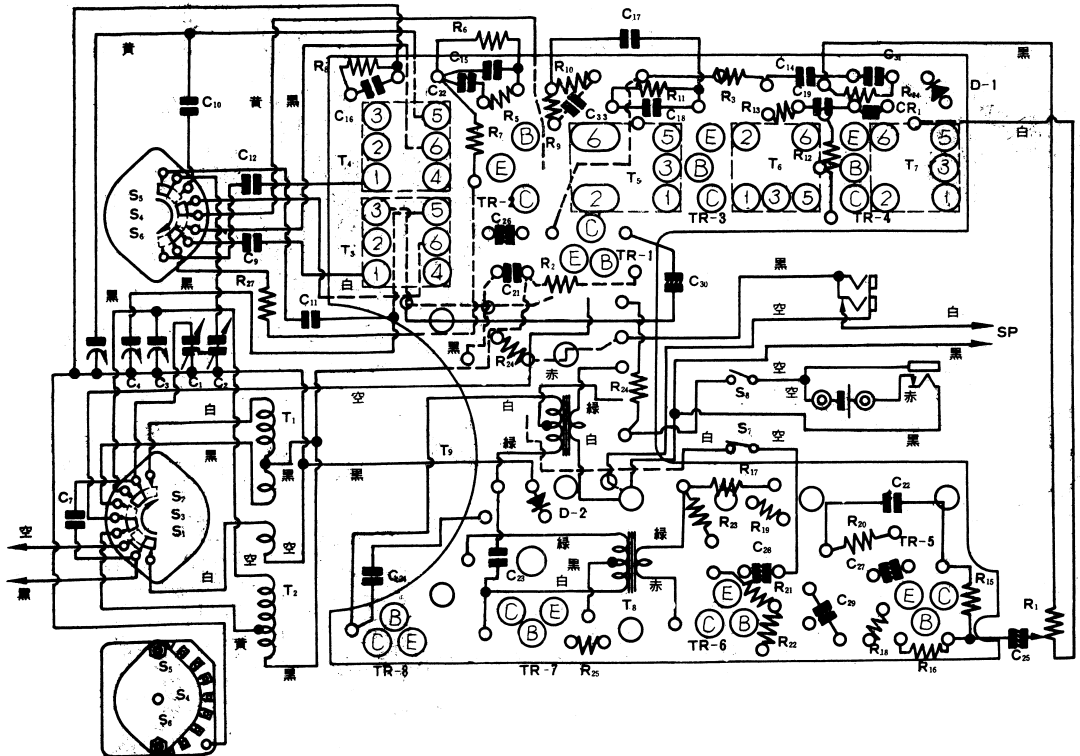
# NATIONAL RADIO MODEL T - 26

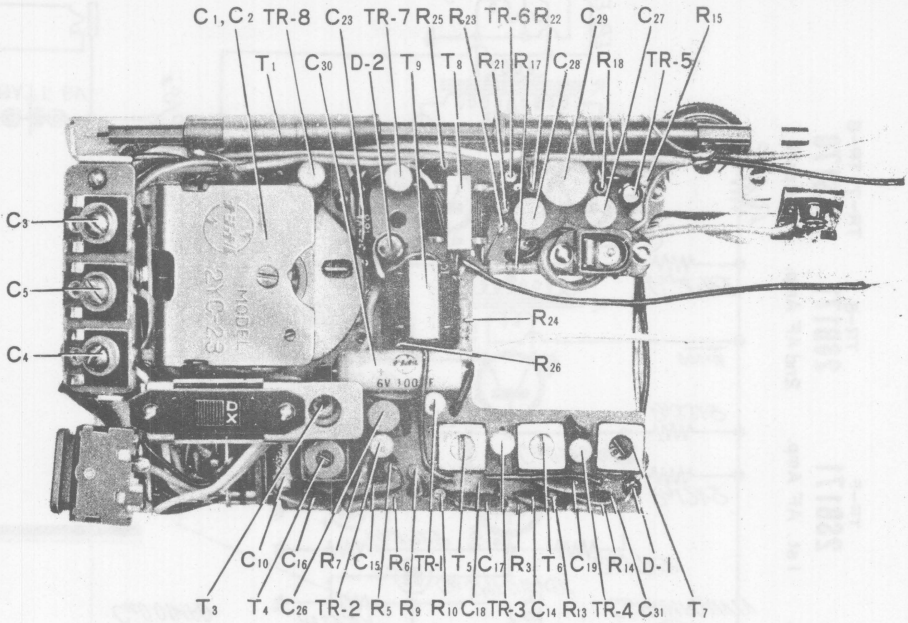
N80





NATIONAL RADIO MODEL T - 26





C<sub>1</sub>, C<sub>2</sub> TR-8 C<sub>23</sub> TR-7 R<sub>25</sub> R<sub>23</sub> TR-6 R<sub>22</sub> C<sub>29</sub> C<sub>27</sub> R<sub>15</sub>  
T<sub>1</sub> C<sub>30</sub> D-2 T<sub>9</sub> T<sub>8</sub> R<sub>21</sub> R<sub>17</sub> C<sub>28</sub> R<sub>18</sub> TR-5  
C<sub>3</sub>  
C<sub>5</sub>  
C<sub>4</sub>  
R<sub>24</sub>  
R<sub>26</sub>  
6V 100F  
XD  
C<sub>10</sub> C<sub>16</sub> R<sub>7</sub> C<sub>15</sub> R<sub>6</sub> TR-1 T<sub>5</sub> C<sub>17</sub> R<sub>3</sub> T<sub>6</sub> C<sub>19</sub> R<sub>14</sub> D-1  
T<sub>3</sub> T<sub>4</sub> C<sub>26</sub> TR-2 R<sub>5</sub> R<sub>9</sub> R<sub>10</sub> C<sub>18</sub> TR-3 C<sub>14</sub> R<sub>13</sub> TR-4 C<sub>31</sub> T<sub>7</sub>