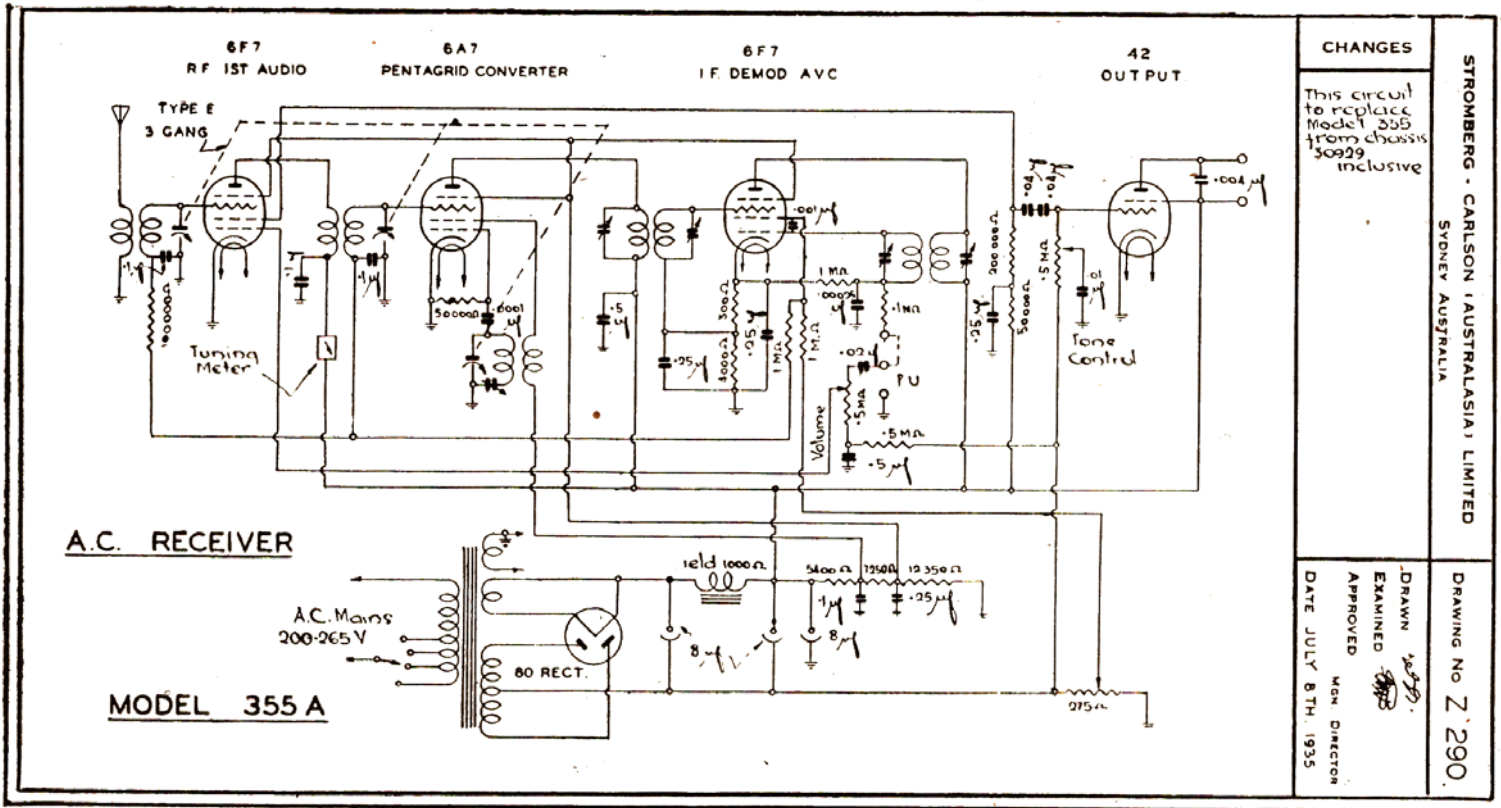
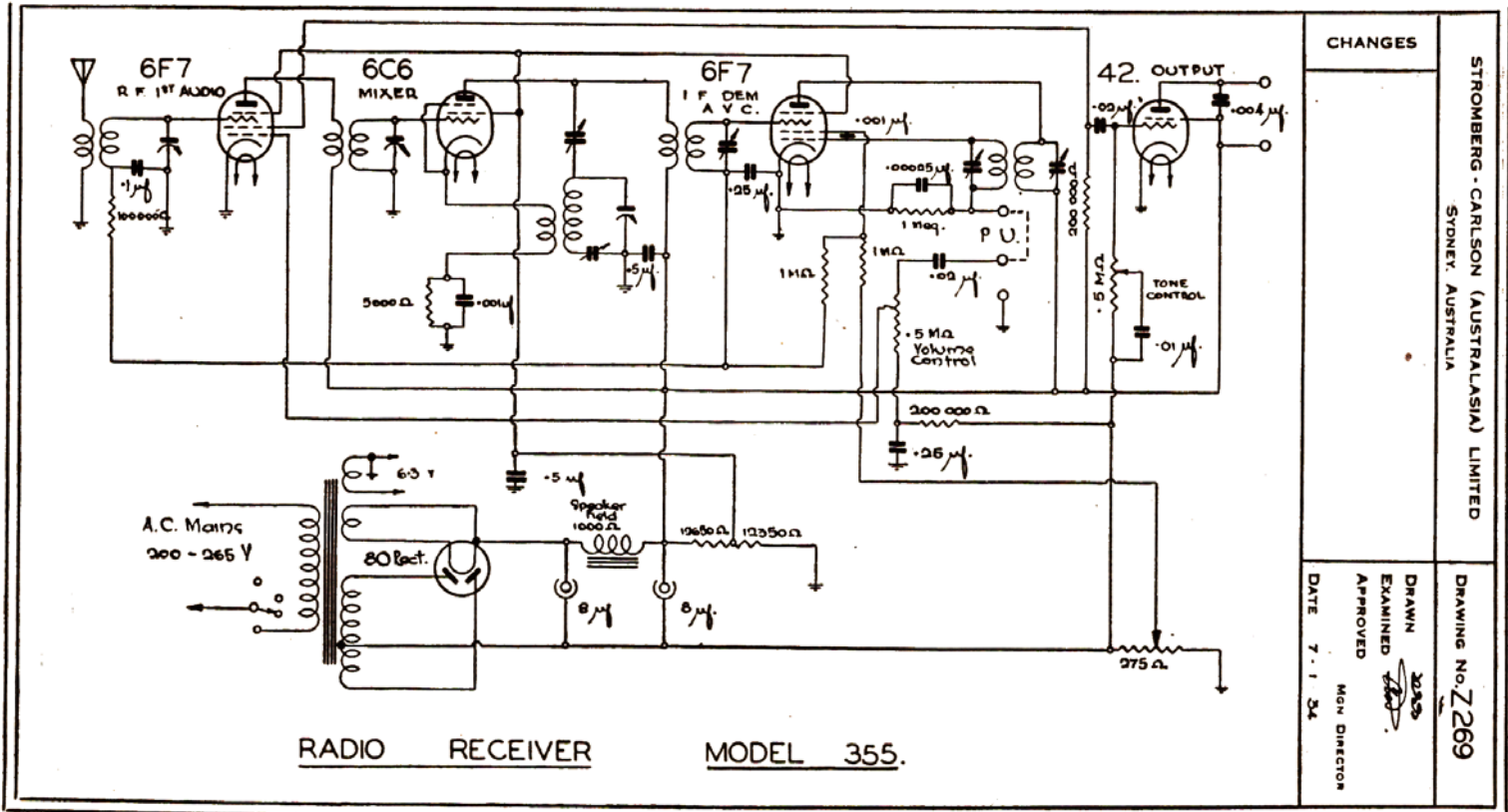


# "Stromberg-Carlson" A.C. Broadcast Models 355, 355A



The above two circuit diagrams depict the arrangements employed in the two versions of Stromberg-Carlson Model 355, which appeared during 1934 and 1935. The upper circuit diagram applies for all receivers of this type number which bear serial numbers up to, and including 30928, while the lower diagram applies for all receivers bearing serial numbers above this. Both models were A.C. operated consoles, designed for broadcast coverage, and both employed an I.F. of 465 KC. Further descriptive matter, and operating voltages for model 355, will be found on page 333.