



TECHNICAL BULLETIN

SUBJECT-

INSTALLATION INSTRUCTIONS

for fitting

MODEL "CR" 6 VOLT 6 VALVE CAR RADIO INTO THE 1949-50 CHEVROLET CAR

Antenna Installation

The antenna used is a four section telescopic whip type which is mounted on the left hand fender (mudguard) in the position shown on the diagram.

1. Centre punch the mark and drill a 1 1/8 in. dia. hole. Clean off all paint, grease and burrs for approx. 1/2 in. on the underside of the hole with a sharp-edged tool or emery paper to ensure proper electrical earthing of the clamp washer.
2. Remove the lead-in, lock nut, clamp ball and clamp washer from the antenna base. Insert the antenna base into the top of the hole. Hold the antenna vertical and turn the formed rubber washer on the antenna base so that it fits the form of the fender.
3. On the underside of the fender, reassemble the clamp washer, clamp ball and lock nut to the antenna base. Tighten the lock nut securely, making sure the antenna remains vertical, and the formed rubber washer follows the form of the fender.
4. Reassemble the lead-in cable to the base of the antenna, making sure the knurled gland nut on the lead-in is securely tightened.

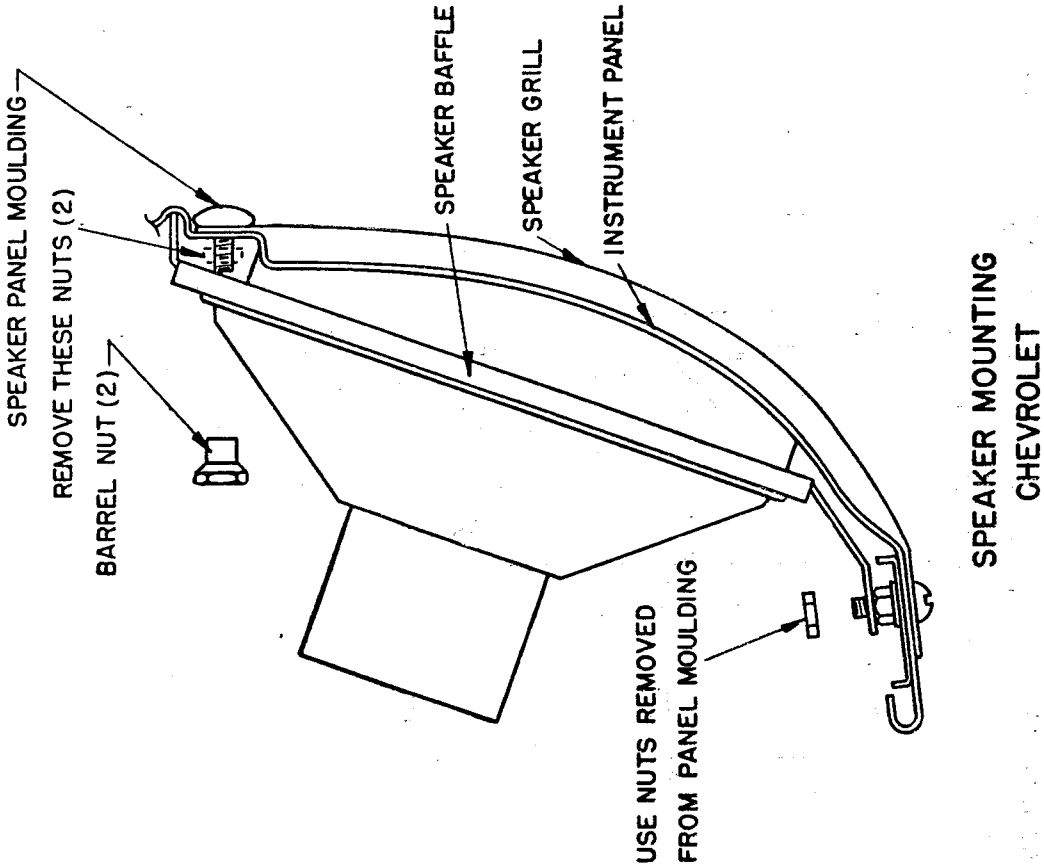
Assembly of Sub Unit to Front of Receiver

1. Remove knobs, barrel nuts and escutcheon from sub unit.
2. Remove front of sub unit by unscrewing the six self tapping screws around the sides of sub unit.
3. Insert shielded "A+" lead and seven pin plug lead from receiver through large hole in sub unit rear cover and then assemble rear cover to front of receiver case using the four 1/4 in. by 5/32 in. dia. whit. screws and S-P washers.
4. Insert a small screw driver through small hole in sub unit rear cover into the rubber moulding on varb. cond. gang shaft and turn fully clockwise.
5. Connect lug on end of shielded "A+" lead from receiver under the head of the screw in corner of the 7 pin socket. Fit 7 pin plug on to 7 pin socket.
6. Turn control spindle clockwise until pointer reaches max. travel, then insert splined end of control spindle through small hole in sub unit base into rubber moulding on cond. gang shaft.
7. Assemble front of sub unit to sub unit base with the six self tapping screws.

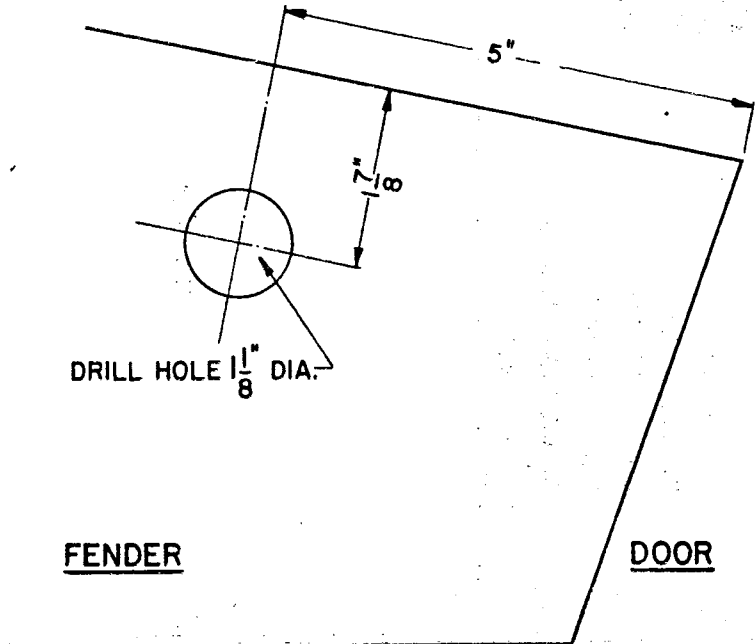
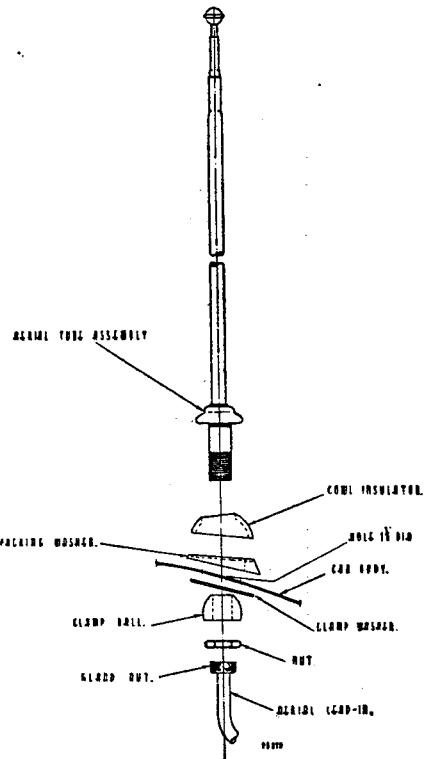
Installation of Receiver into Car

1. Remove cover plate from car instrument panel.
2. Drill a 11/32 in. dia. hole in the section of the top cowl which is covered by the bonnet. The position of the hole is 7 3/4 ins. to the driving side of the centre of the centre pillar of the wind screen and 5/8 in. back from the back edge of the formed drainage channel.
3. Insert receiver with control unit attached up behind instrument panel and fit into position so that control shafts protrude through holes in panel.
4. Fit escutcheon to panel. Top lip of escutcheon fits under beading across the panel-refer diagram.
5. Fit barrel nuts and control knobs to control spindles.
6. Fit receiver rear mount bracket to receiver. Fasten other end of bracket to cowl (refer diagram) with nuts, washer and mount bolt.

PB 466

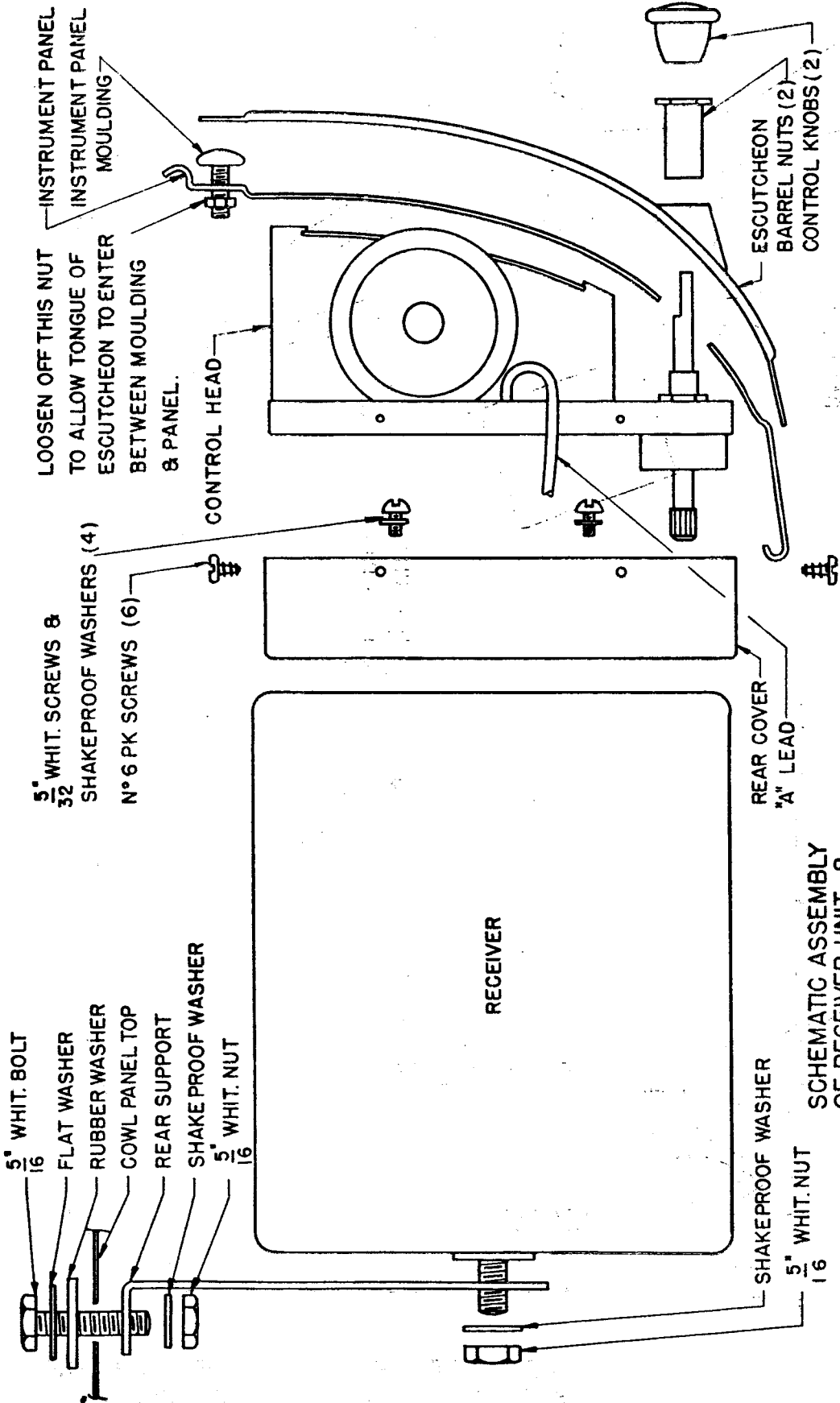


BONNET



TOP VIEW OF LEFT HAND SIDE FENDER SHOWING POSITION OF AERIAL MOUNTING HOLE

PB 463



SCHEMATIC ASSEMBLY
OF RECEIVER UNIT &
MOUNTING IN
CHEVROLET

Speaker Installation

The speaker baffle is mounted behind the instrument panel grille using four screws from the rear of the instrument panel.

1. To mount speaker, first remove the two nuts and washers holding the top of the speaker grille in position.
2. Place speaker baffle in position behind grille. The two holes in the bottom lip of the baffle fit over the two screws in bottom lip of panel.
3. Using the two barrel nuts supplied, fit to top screws. The two nuts and washers previously removed from the top screws, fit to bottom screws. Securely tighten speaker in position.
4. Insert speaker plug into socket on receiver. Connect antenna lead-in to receiver. Connect receiver "A+" lead to the battery side of the ammeter.

Interference Elimination

1. No spark plug suppressors are required.
2. Distributor Suppressor: Remove the high tension lead from the distributor cap. Into the distributor cap fit a plug-in type suppressor. Slip the rubber cap supplied on to the high tension lead, then fit high tension lead into the outer end of the suppressor and slip the rubber cap over the connection.
3. Instal a .5MFD. metal clad by-pass condenser on the generator. The condenser is mounted on the screw on the generator provided for this purpose. The lead from the condenser is connected to the armature terminal, not the field terminal; make the lead as short as possible. The other side of the condenser is internally connected to the condenser case which forms the other contact to the car where the condenser is mounted on the generator.
4. Mount a .5MFD. metal clad by-pass condenser on the formed lug on the ignition coil clip with a $\frac{1}{4}$ in. by $\frac{5}{32}$ in. dia. screw. Connect the condenser lead to the battery terminal of the coil, making the lead as short as possible.

The mounting positions of the by-pass condensers must be entirely free of paint, varnish or grease to ensure a proper electrical contact.

Parts List

		<u>Part No.</u>
Antenna	: Antenna only, less lead-in, fully extended 49", fully retracted 15"	M223
Antenna Lead-in	: 48" overall length	M224
Tone Control	: 100K. ohm	PR678
Volume Control	: .5 megohm	PR679
Speaker	: 6" x 9" oval type (speaker only with 2 only 24" leads, less shielding braid and plug)	K158
Speaker Plug	: 2 pin	336/30C
Dist. Suppressor	: plug-in type 6 volt.	PR221
Rubber Cap	: For fitting over suppressor connection	14/140
Fuse	: 15 amp.	PM219
Dial Pointer	:	A101/322
Control Knob	:	9/322
Knob Spring	:	17/81
7 Pin Socket Assy.	: On remote control head	A104/323
7 Pin Plug Assy.	: On receiver lead	A104/58-1
Barrel Nut	: Control head mount	1/322
Barrel Nut	: Speaker mount	4/322
Escutcheon	:	14/322
No. 6 PK. Screw	:	35/560-2
Dial Reading	:	12/322
Dial Lamp	: 6-8V. 0.3A. min. bay. base G3 $\frac{1}{2}$ bulb	M127
Thumb Wheel	: On tone control-bakelite	3/306
Rear Mount Bolt	: Mounts bracket to cowl	48/560-15
Rear Mount Nut	: On rear of receiver and cowl mount bolt	3/306-2