



MULLARD MASTER RADIO

MODIFICATION SHEET

MODELS MAS1107-A-B-C

This sheet should be read in conjunction with the Model MAS1107 sheet previously issued.

CORRIGENDA: On Model MAS1107 service sheet the code number of dial drum assembly should read CR.382.808.

NOTE: In Model MAS1107, C26 may be 0.01mF 600V paper. In Models MAS1107-A-B some chasses may use 0.5 megohm 1 watt resistor in position R13. Chasses may use either bakelite lampholder CZ.367.900 or metal lampholder CZ.367.914.

MODELS MAS1107-A-B-C

Model MAS1107A is identical with Model MAS1107, except for a change of power amplifier valve to type EL33A, changes in circuit diagram (published overleaf), and data published hereunder.

VALVE EQUIPMENT AND VOLTAGE ANALYSIS

Valve Function	Valve No.	Valve Type	Plate Volts	Screen Volts	Osc. P. Volts	Bias Volts	Bias Resistor	
Frequency Converter	V1	ECH35	235	70	100	-1.25	R6	
I.F. Amplifier	V2	6SK7GT	235	75	—	-1.25	R6	
Demodulator, A.V.C. and 1st Audio	V3	6SQ7GT	95	—	—	0	—	
Power Amplifier	V4	EL33A	220	235	—	-5.4	R5 & R6	
Rectifier	V5	5Y3GT	Unfiltered B+ to L8 C.T. — 256V.					
Dial Lamps	V11, 12	6.3V 0.32A tubular screw.						

NOTE: These voltages are measured with a "1,000 ohms per volt" meter and may vary \pm 10% from the figures quoted. They are measured from the socket points indicated to chassis, or across the resistors listed. The receiver should be in a "no signal" condition.

Model MAS1107B is identical with Model MAS1107A, except for changes in tuning capacitor and dial glass. This version is also available in walnut and ivory colours.

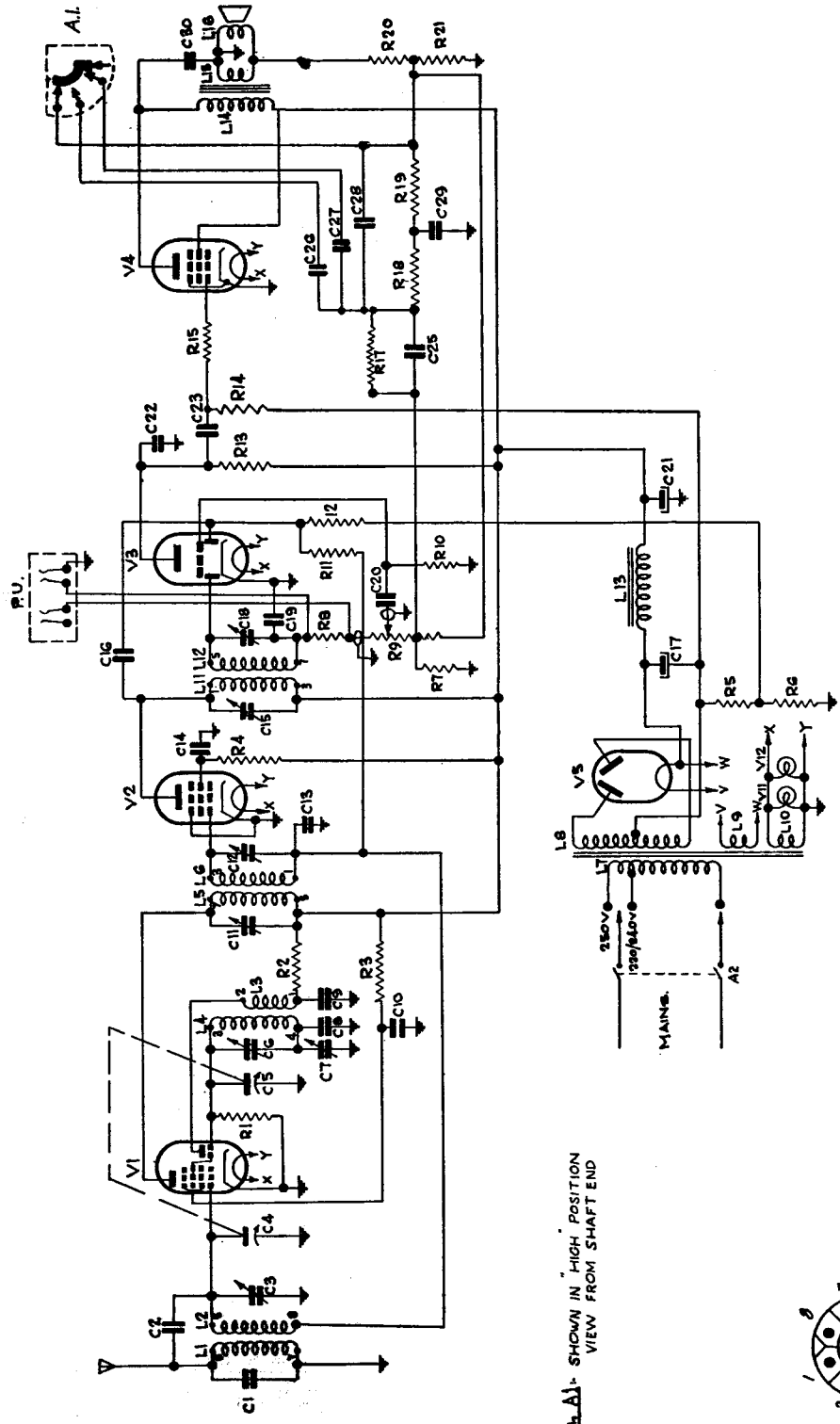
C4, 5	CZ.107.741	Knobs for ivory cabinet
Dial glass (cream, for walnut cabinet)	CS.412.278	Tuning—CR.523.678 Control CR.523.677
Dial glass (buff, for ivory cabinet)	CS.412.297	Ivory cabinet—CS.460.488

Model MAS1107C is identical with Model MAS1107B, except for the separation of the mains on/off switch from the tone control switch, the use of a four control hole cabinet and the availability in walnut colour only. The circuit diagram is published overleaf.

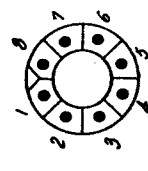
Mains on/off switch assembly	CZ.200.219	T/C switch assembly	CZ.200.028
Mains on/off clicker assembly	CR.450.027	Cabinet	CS.460.464
Mains on/off switch	CZ.220.001		



L	1, 2,	4, 3	5, 6, 7, 8, 9, 10, 11, 12, 13, 14, 15, 16, 17, 18, 19, 20, 21, 22, 23, 24, 25, 26, 27, 28, 29, 30,	14, 15, 16
C	1, 2, 3, 4,	5, 6, 7, 8, 9, 10, 11, 12, 13, 14, 15, 16, 17, 18, 19,	20, 21,	
R	1,	2, 3,	4, 5, 6, 7, 8, 9, 10, 11, 12, 13, 14, 15, 17, 18,	
V	1,	2, 11, 12,	3,	



Switch A1- SHOWN IN HIGH POSITION
VIEW FROM SHAFT END

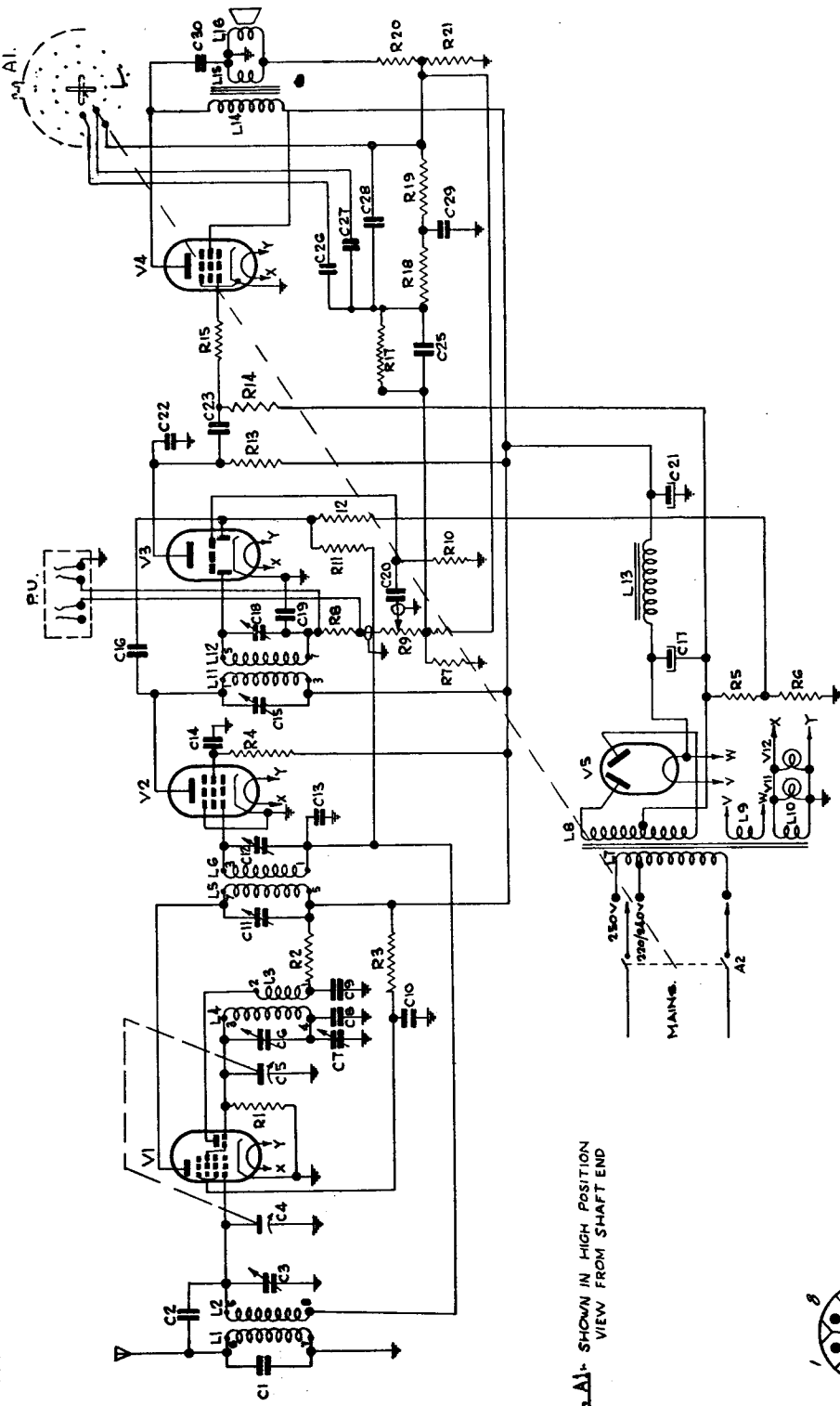


COIL CONNECTIONS NUMBERING.
(View of Lamp)

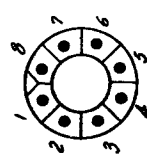
MODEL MAS1107C



L	1, 2,	4, 3	5, 6, 7, 8, 10	11, 12,	13	14, 15, 16	17, 18, 19, 20, 21,
C	1,	2, 3,	4,	5, 6, 7, 8, 9, 10, 11,	12, 13,	14, 15,	16, 17, 18, 19, 20, 21,
R		1,	2, 3,	4,	5, 6, 7, 8, 9, 10, 11,	12, 13,	14, 15, 16, 17, 18, 19,
V		1,	2, 3,	4,	5, 6, 7, 8, 9, 10, 11,	12, 13,	14, 15, 16, 17, 18, 19,



Switch A1 - SHOWN IN HIGH POSITION
VIEW FROM SHAFT END



COIL CONNECTIONS NUMBERING.
(View of Lugs)

MODELS MAS1107-A-B



SERVICE DATA

PARTS LISTS

CAPACITORS

No.	Description	Code No.
C1	150 pF mica	
C2	5 pF glass	CZ.102.303
C3	30 pF glass trimmer	CZ.117.600
C4-5	2 gang tuning	See Overlay
C6	30 pF air trimmer	CZ.113.700
C7-11-12-15-18	125 pF ceramic trimmer	CZ.118.200
C8	380 pF mica	
C9-10-14-20-27-30	0.01 mF 600V paper	
C13	0.1 mF 200V paper	
C16	33 pF ceramic	
C17-21	24 mF 350V electrolytic	
C19-22	100 pF ceramic	CZ.096.602
C23	0.1 mF 400V paper	
C25	0.05 mF 400V paper	
C26	0.1 mF 200V paper	
C28	0.003 mF 600V paper	
C29	0.04 mF 600V paper	

RESISTORS

No.	Description	Code No.
R1-8-15-17	50,000 ohms $\frac{1}{2}$ W carbon	
R2	30,000 ohms 1W carbon	
R3-4	50,000 ohms 1W carbon	
R5	75 ohms 1W W/W	
R6	25 ohms 1W W/W	
R7	5,000 ohms $\frac{1}{2}$ W carbon	
R9	0.5 megohm tapped potentiometer	CZ.029.118
R10	5 megohms 1W carbon	
R11-12	1 megohm $\frac{1}{2}$ W carbon	
R13	250,00 ohms 1W carbon	
R14	0.5 megohm $\frac{1}{2}$ W carbon	
R18	10,000 ohms $\frac{1}{2}$ W carbon	
R19	1,000 ohms $\frac{1}{2}$ W carbon	
R20	100 ohms $\frac{1}{2}$ W W/W	
R21	25 ohms $\frac{1}{2}$ W W/W	

COILS

No.	Ohms	Description	Code No.
L1	18	Aerial and Oscillator Coil	CZ.320.017
L2	3.3		
L3	2.2		
L4	4.2		
L5	4.5	1st I.F. Transformer	CZ.320.415
L6	4.5		
L7	27	Power Transformer	CZ.344.019
L8	600		
L9	<K.5		
L10	<K.5		
L11	4.5	2nd I.F. Transformer	CZ.326.202
L12	4.5		
L13	450	Filter Choke	CZ.340.406
L14	550	Speaker & Transformer 5,000 ohms	CZ.161.207
L15	.5		
L16	2.8		

IMPORTANT! In ordering spare parts, quote **CODE NUMBER** of part and **MODEL NUMBER** of Receiver. In claiming free replacement under **GUARANTEE**, return defective part **PROMPTLY** and quote **MODEL** and **SERIAL NUMBER** of Receiver and **DATE OF PURCHASE**.