



MULLARD 32V ADAPTOR UNIT

MODEL M137

SPECIFICATIONS

(Subject to alteration without notice)

Input Voltage	32V D.C.
Output Voltage	6V D.C.
Associate Equipment	Model M118 Vibrator Unit

APPLICATION.

The Model M137 adaptor unit is designed to be used in conjunction with Model M118 vibrator unit, to power Models MBS 1105A and MBS 1112 receivers from 32 volt direct current supply mains. It should not be used with any other equipment than that stated above.

REMOVAL OF UNIT FROM CASE.

The top of the case can be removed by removing the four screws which mount the rubber mounting feet.

INSTALLATION.

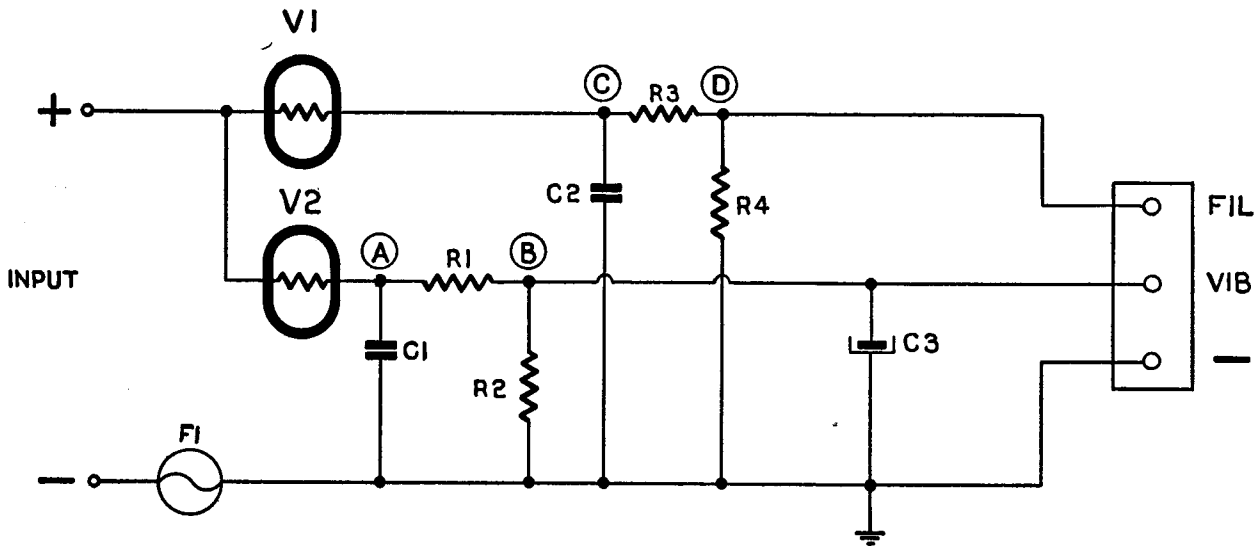
The Model M137 unit connects between the supply mains and the Model M118 vibrator unit. The negative lead of the vibrator unit input cable is connected to the negative terminal of the adaptor unit; the positive lead is split into its two wires, the one carrying the fuse is connected to the adaptor unit lug marked "VIB," the other one is connected to the lug marked "FIL."

On the input cable of the adaptor unit, the wire carrying the red sleeving is positive. The unit should be operated in a position such that the regulating tubes are upright.

In use, leave the on/off switch of the receiver permanently on and control the receiver from the supply mains switch.

For operation on 24 volt mains, resistors R1 and R3 should be short circuited.

CIRCUIT DIAGRAM



FOR 24V OPERATION SHORT CIRCUIT
R1 (A TO B) AND R3 (C TO D).

M137

SERVICE DATA



PARTS LISTS

CAPACITORS

No.	Description
C1, 2	0.1 mF 200V paper
C3	400 mF 25V electrolytic

RESISTORS

No.	Code No.
R1-2	CZ.008.204
R3-4	CZ.008.205

MISCELLANEOUS

Description	Code No.
V1, 2	Type 329
F1	10A auto type fuse
	Valve socket
	Fuse holder
	Mounting foot
	Grommet

IMPORTANT: In ordering spare parts, please quote CODE NUMBER of part and MODEL NUMBER of unit. In claiming free replacement under GUARANTEE, return defective parts PROMPTLY and quote MODEL and SERIAL NUMBER of unit and DATE OF PURCHASE.