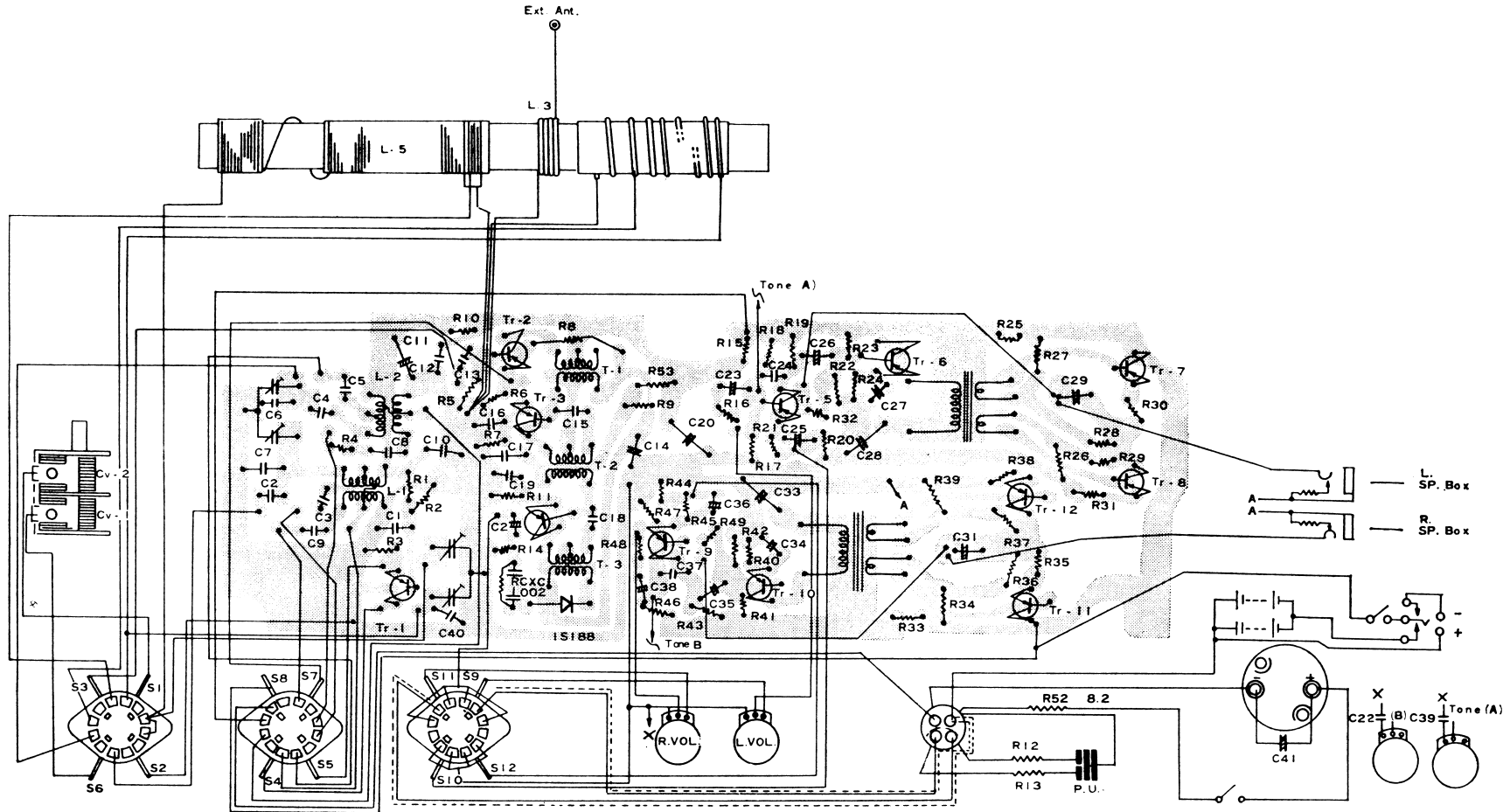
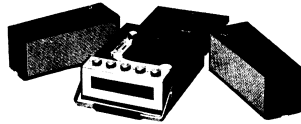


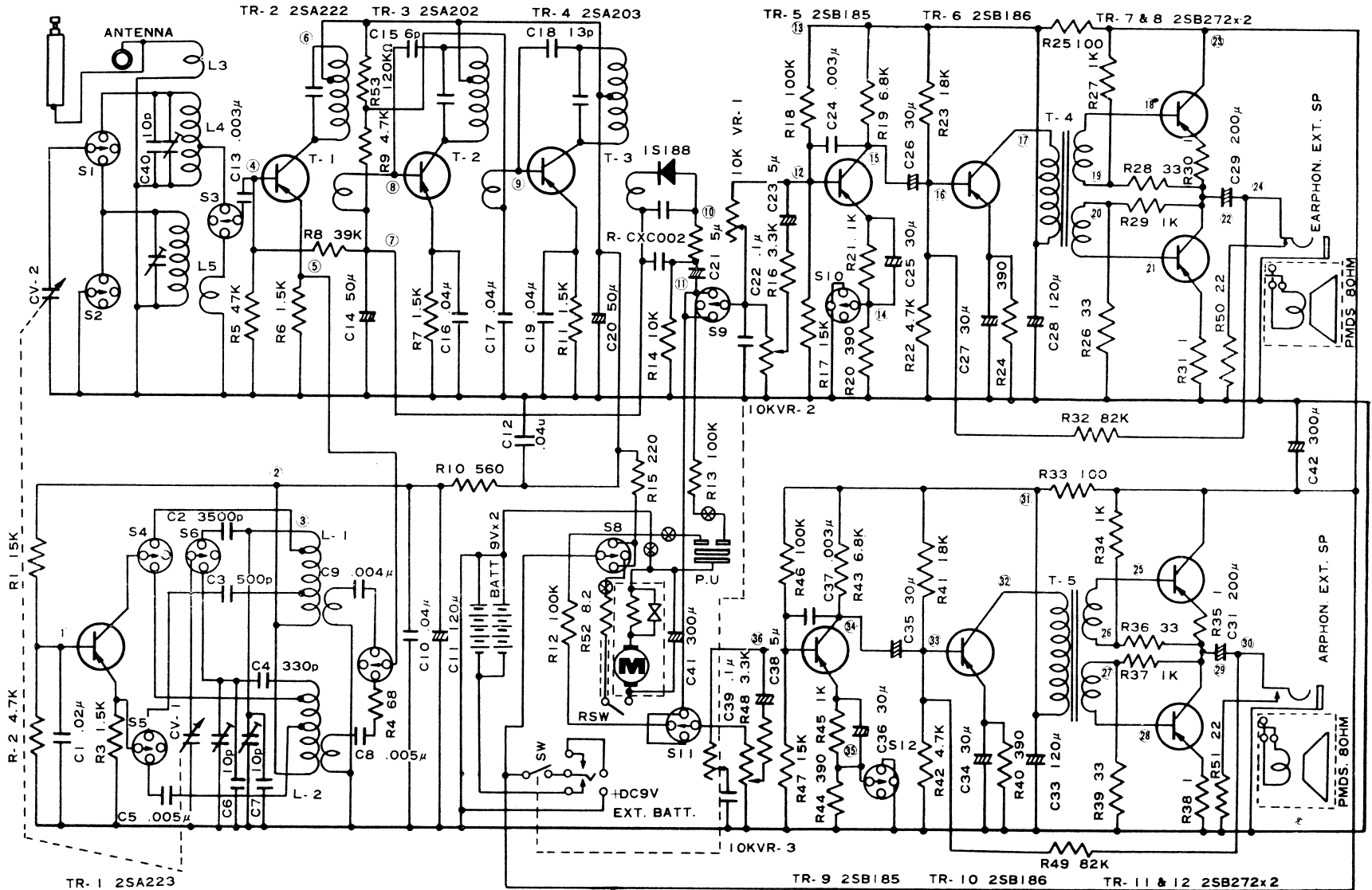
S245.

## SANYO MODEL G-2200





# CIRCUIT DIAGRAM



NOTE: All resistance values are in ohms. K - 1000 ohms