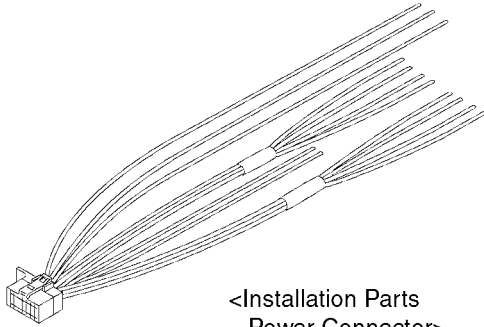
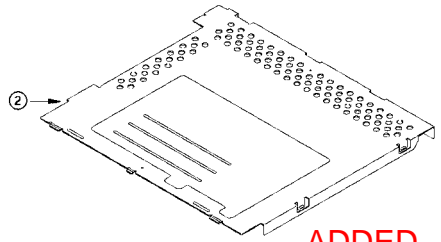


**Supplement**

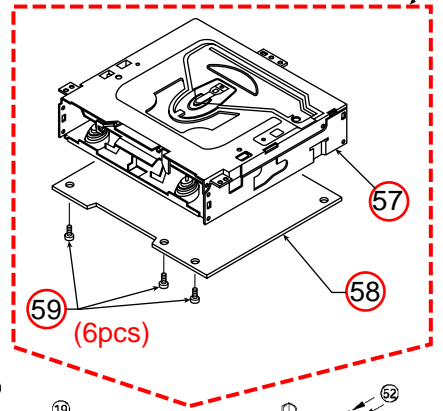
4

4



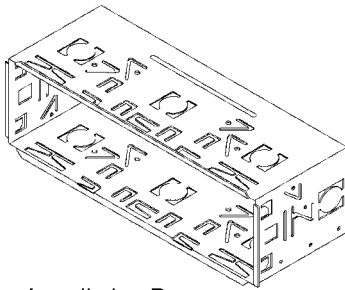
<Installation Parts  
Power Connector>

ADDED

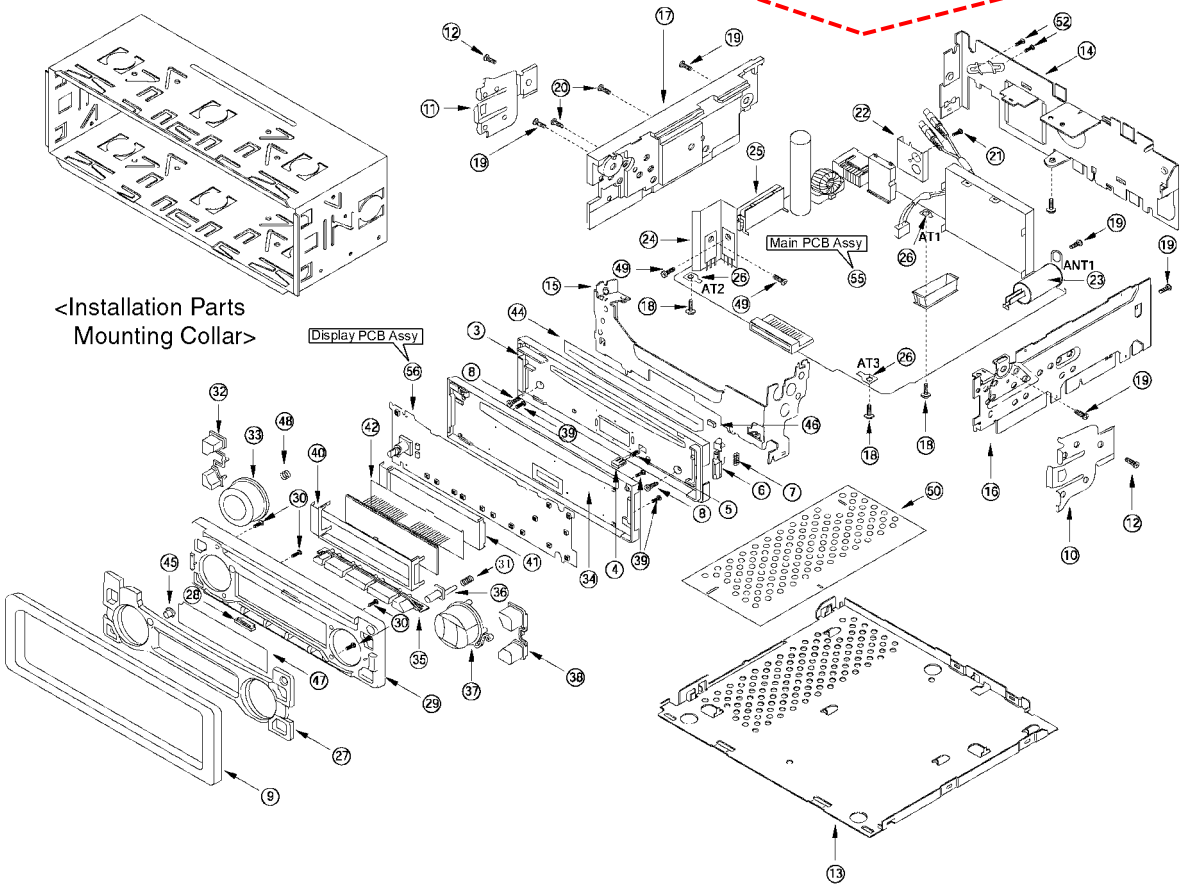


3

3



<Installation Parts  
Mounting Collar>



2

2

1

1

A

B

C