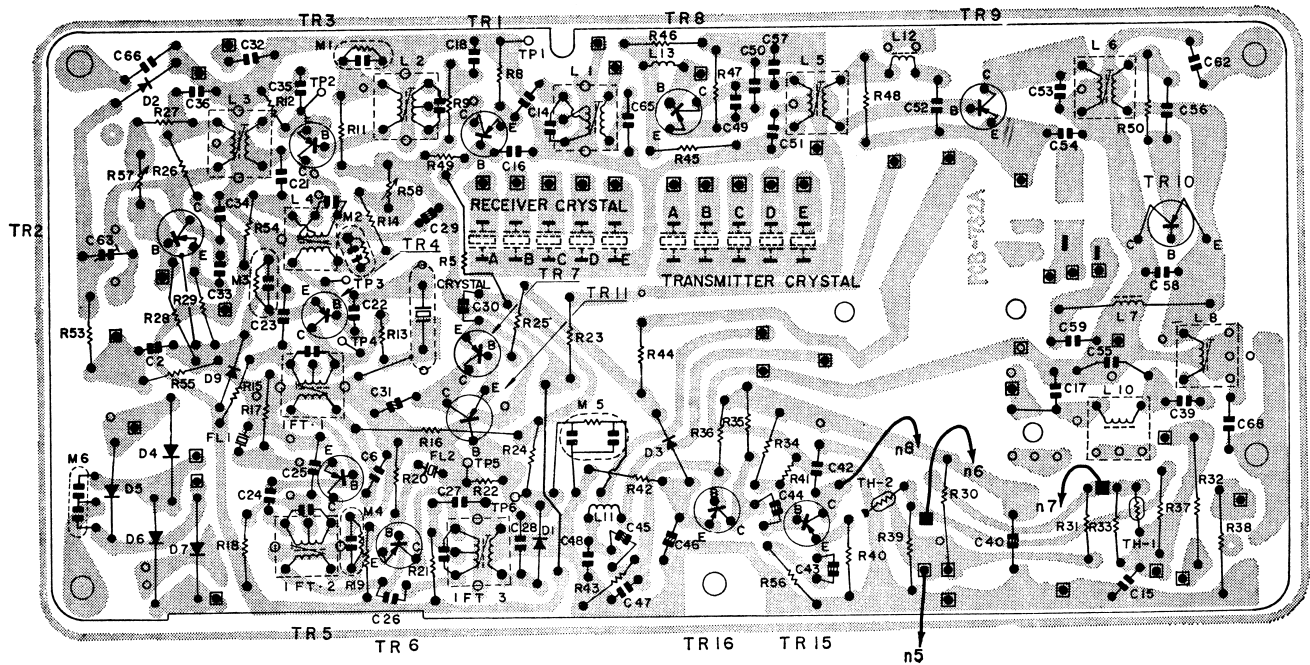
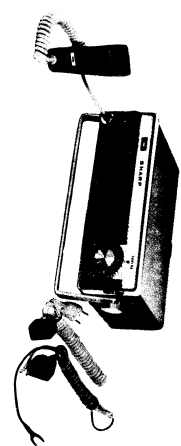
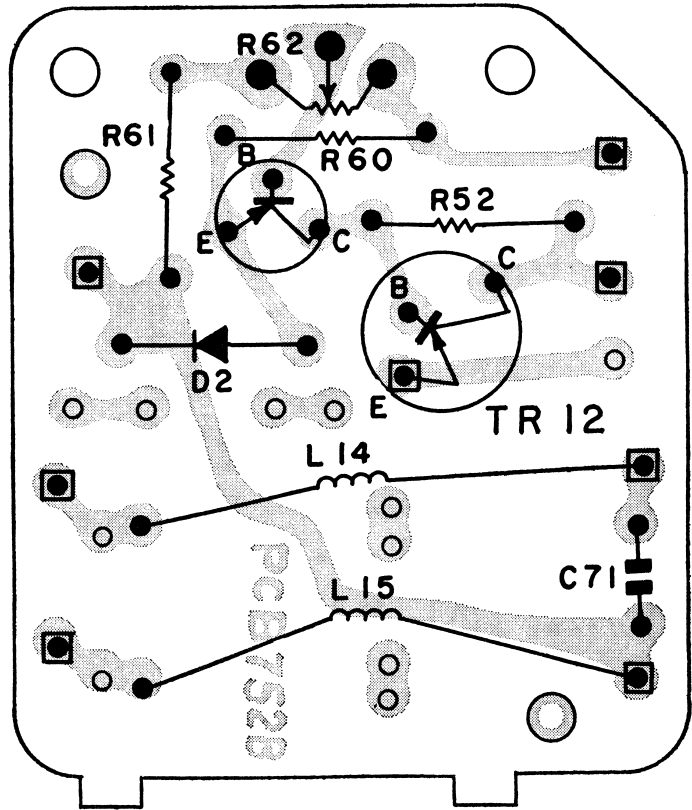
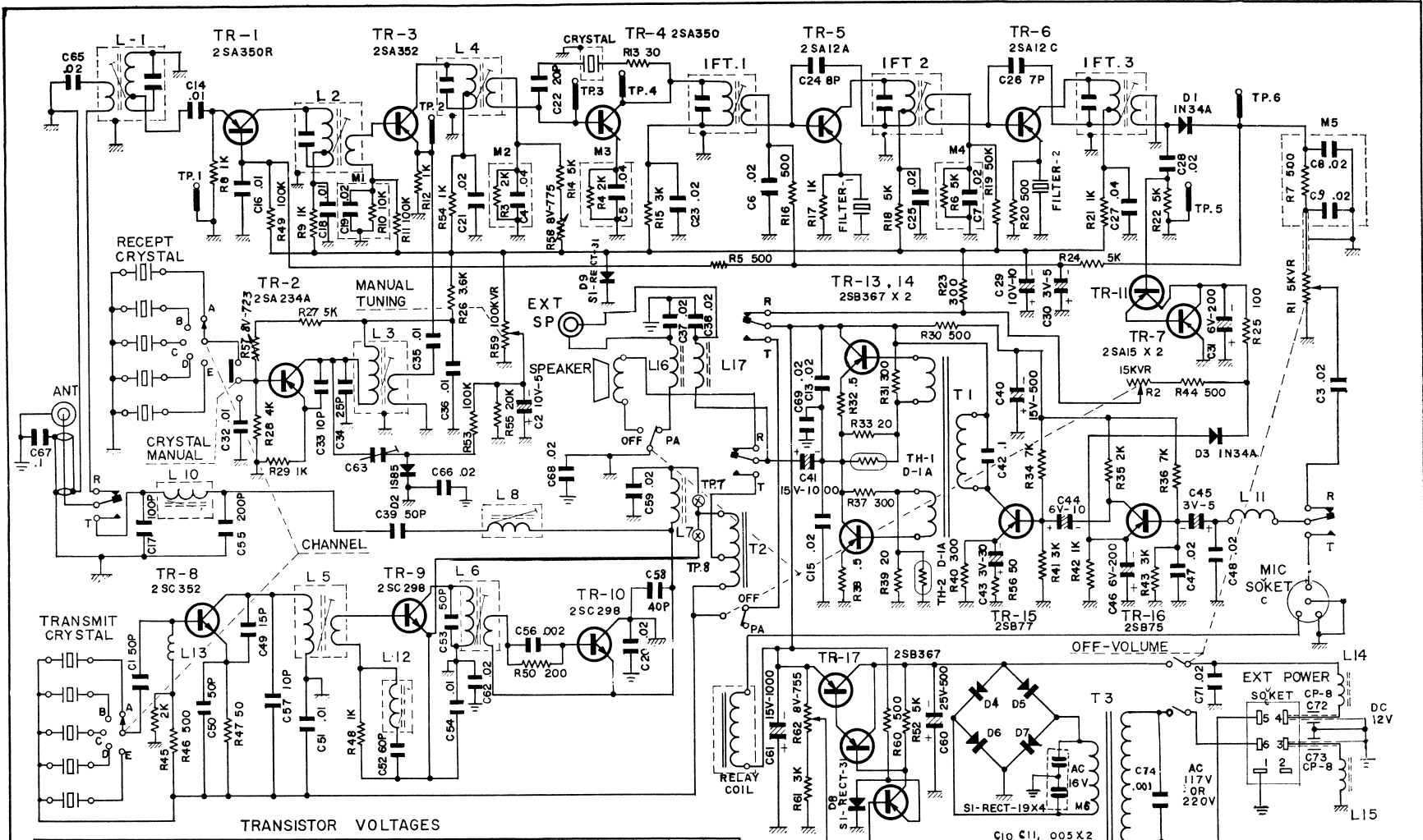


TR 18



SCHEMATIC DIAGRAM



TRANSISTOR VOLTAGES

TR. NO	1	2	3	4	5	6	7	8	9	10	11	12	13	14	15	16	17	18
COLLECT (V)	6.9	4.6	6.9	6.0	6.1	6.6	5.2 8.6	-	-	-	5.2 8.6	12.5	12.5	6.4	11.5	5.8 11.5	12.5	12.0
BASE (V)	0.42	0.70	0.74	0.97	0.40	0.64	-	11.7	14.5	13.0	-	12.0	6.5	-	3.0	3.0 3.4	12.0	6.7
EMITT (V)	0.27	0.50	0.64	0.82	0.30	0.52	-	10.4	11.2	11.5	-	12.0	6.4	-	2.5	7.5	12.0	7.2

TR-12 2SB89 TR-18 2SB75 R: RECEIVER T: TRANSMITTER

CIRCUIT BOARD GROUND AC POWER 117 V : CBT-70 (#1752)
 CHASSIS GROUND, 220 V : CBT-71 (#1753) S40.7.20 M.K