

# TECHNICAL INFORMATION AND SERVICE DATA



Issued by Amalgamated Wireless (Australasia) Limited

## SUPPLEMENT SHEET No. 1.

### For RADIOLA

## TRANSISTOR PORTABLE RADIOS MODELS B67Z, B77Z

The "Z" models incorporate a number of modifications, both mechanical and electrical, to improve appearance and audio performance.

Mechanical changes are confined to the cabinet fret and volume control knob. These are now coloured mouldings requiring no plating as used previously.

Electrical changes are all associated with the audio stage as follows:

The audio output stage now contains two silicon type transistors and two compensating diodes.

Values of base and emitter resistors R13, R17 and R18 have been changed to provide the correct operating conditions for the new circuit.

Wiring of the hearing aid jack has also been revised. A new speaker is fitted.

The new circuit is shown overleaf.

Printed board layout is similar to that shown in B67,

B77 Service Manual with two modifications:

1. R16 has been replaced by MR5 the second compensating diode.
2. Only two leads are now needed from the board for the hearing aid jack (see circuit).

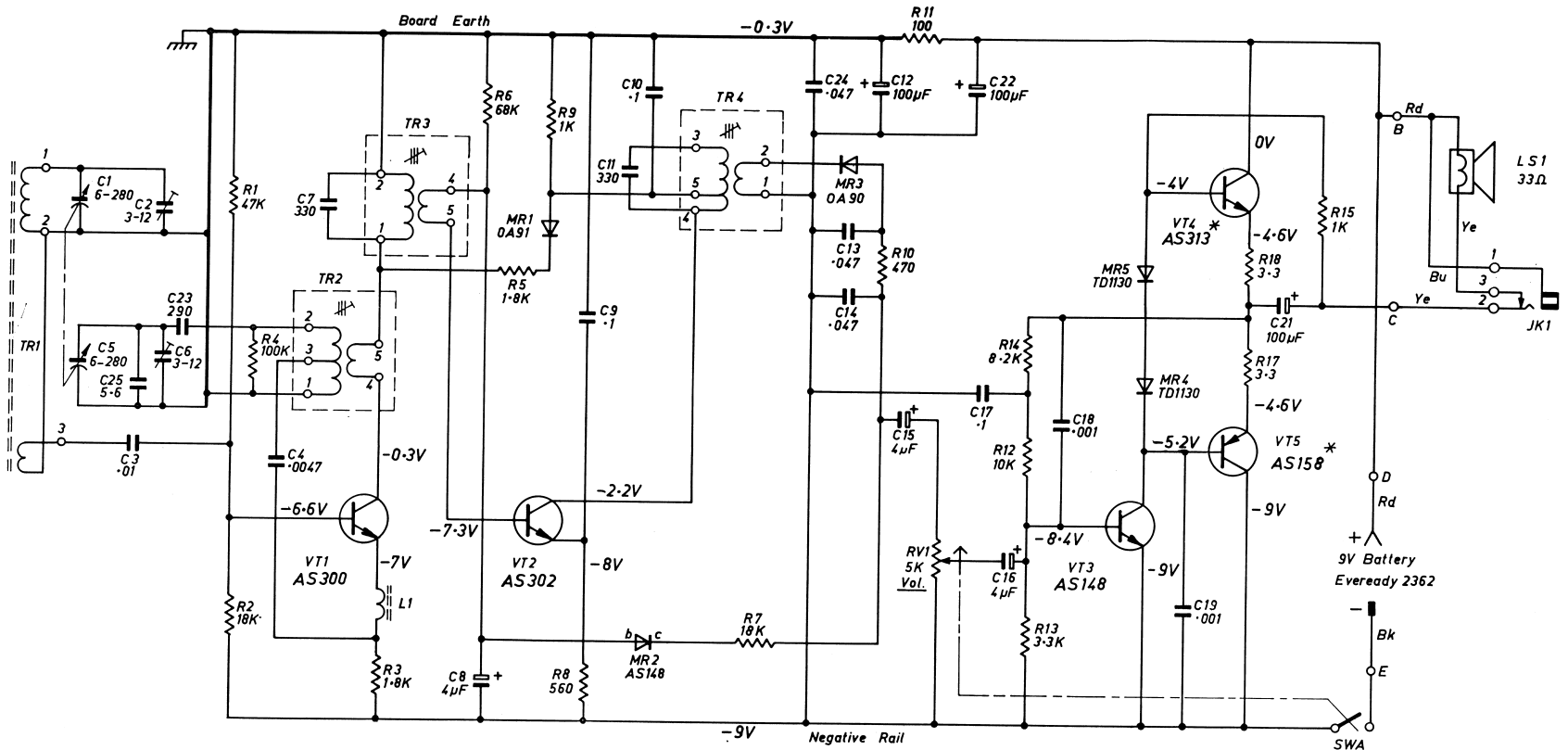
A list of mechanical replacement parts and new or changed electrical parts is included below. For all other electrical and mechanical information refer to B67 and B77 Service Manual.

## REPLACEMENT PARTS MODELS B67Z, B77Z

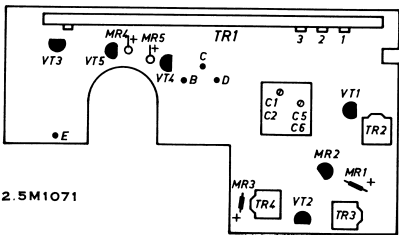
Item	Part No.	Item	Part No.
<b>MECHANICAL</b>			
Boss, Spindle, B67Z .....	69725	Cabinet Back, Moulded .....	60220
Boss, Spindle, B77Z .....	72364	Case, Carrying, B67Z .....	69720/001
Cabinet Front Assembly, B67Z .....	69730/006	Case, Carrying, B77Z .....	72367
Cabinet Front Assembly, B77Z .....	69730/005	Dial Scale .....	65067
Comprising:		Earpiece Assembly (1K $\Omega$ Imp.) .....	307003
Cabinet Front, Moulded .....	37782/001	Knob, Tuning .....	39103
Fret Assembly, B67Z .....	69729/002	Knob, Volume .....	39104/003
Including, Cloth, Lantor (69726) .....	351007	Screw, Retaining, Cabinet Back .....	39109/001
Fret Assembly, B77Z .....	72360/004	Screw, Retaining, Tuning Knob .....	74655/001
Comprising:		<b>ELECTRICAL</b>	
Cloth, Lantor (72371) .....	212204	R13 3.3K $\Omega$ $\pm$ 5% $\frac{1}{2}$ W	
Escutcheon, Painted .....	72370/007	R17 3.3 $\Omega$ $\pm$ 10% $\frac{1}{2}$ W W.W.	
Screw, 4BA .....		R18 3.3 $\Omega$ $\pm$ 10% $\frac{1}{2}$ W W.W.	
Spacer, 4BA .....		MR5 TD1130 Compensating Diode	
Washer, 4BA I.T.L. ....		LS1 Speaker, 2 $\frac{3}{4}$ " 33 $\Omega$ V/C .....	56221/006
		JK1 Jack, Hearing Aid .....	417019

SUPPLEMENT SHEET No. 1. For TRANSISTOR PORTABLE RADIOS - B67Z, B77Z

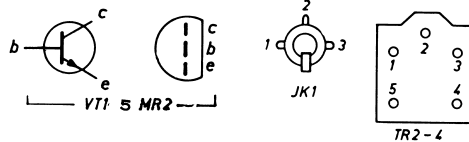
# AWA PORTABLE RADIO MODELS B67Z, B77Z



COMPONENT VIEW



BASE CONNECTIONS



**NOTES:**

All voltages shown are negative and are referred to positive terminal of battery. Voltages measured under no signal conditions with 20,000 ohm/volt meter.  
 \* Output transistors, AS313 and AS158, must be matched pairs. X, Y or Z suffix on transistor will indicate gain category. I.E. AS313X must be paired with an AS158X etc.