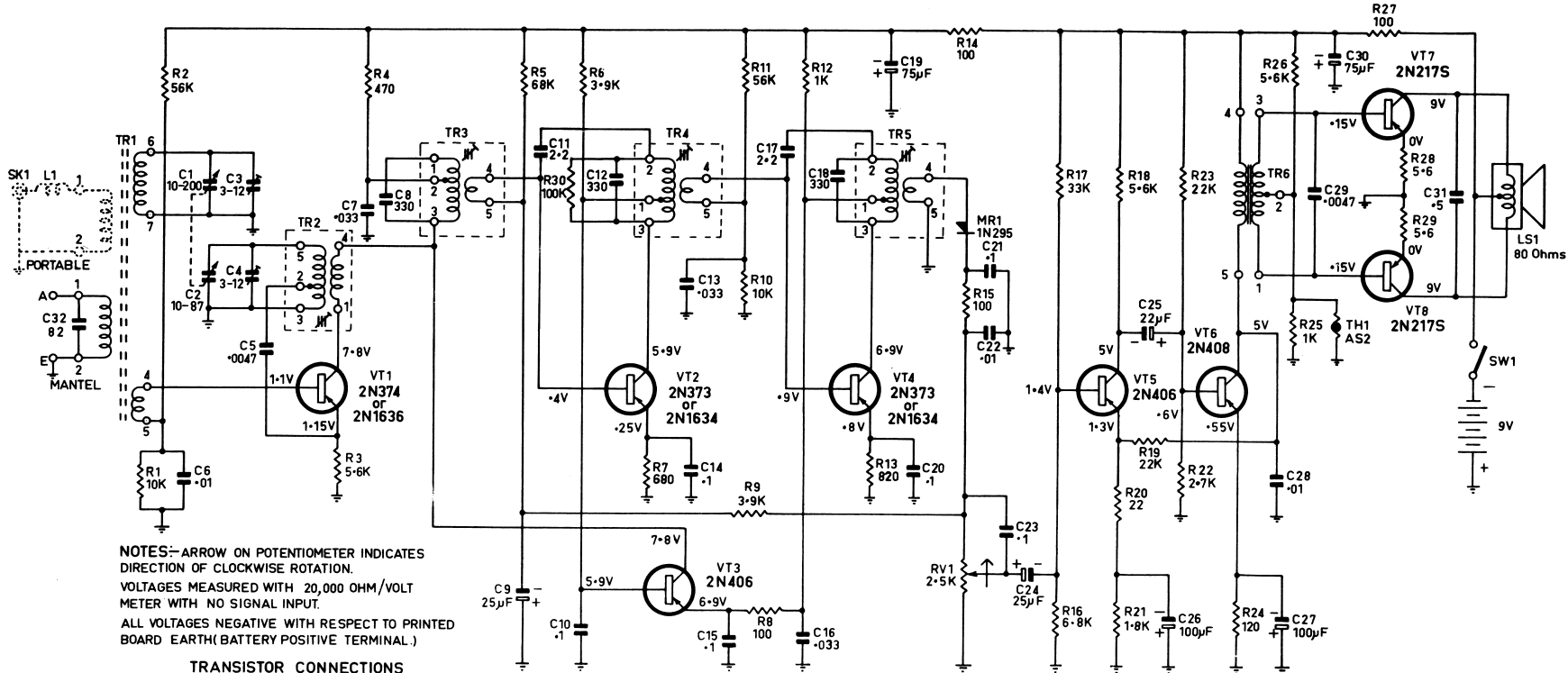
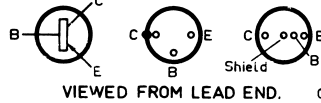


A.W.A. RADIOLA B17 & B18



NOTES:- ARROW ON POTENTIOMETER INDICATES DIRECTION OF CLOCKWISE ROTATION.
 VOLTAGES MEASURED WITH 20,000 OHM/VOLT METER WITH NO SIGNAL INPUT.
 ALL VOLTAGES NEGATIVE WITH RESPECT TO PRINTED BOARD EARTH (BATTERY POSITIVE TERMINAL.)

TRANSISTOR CONNECTIONS



BASE CONNECTIONS

