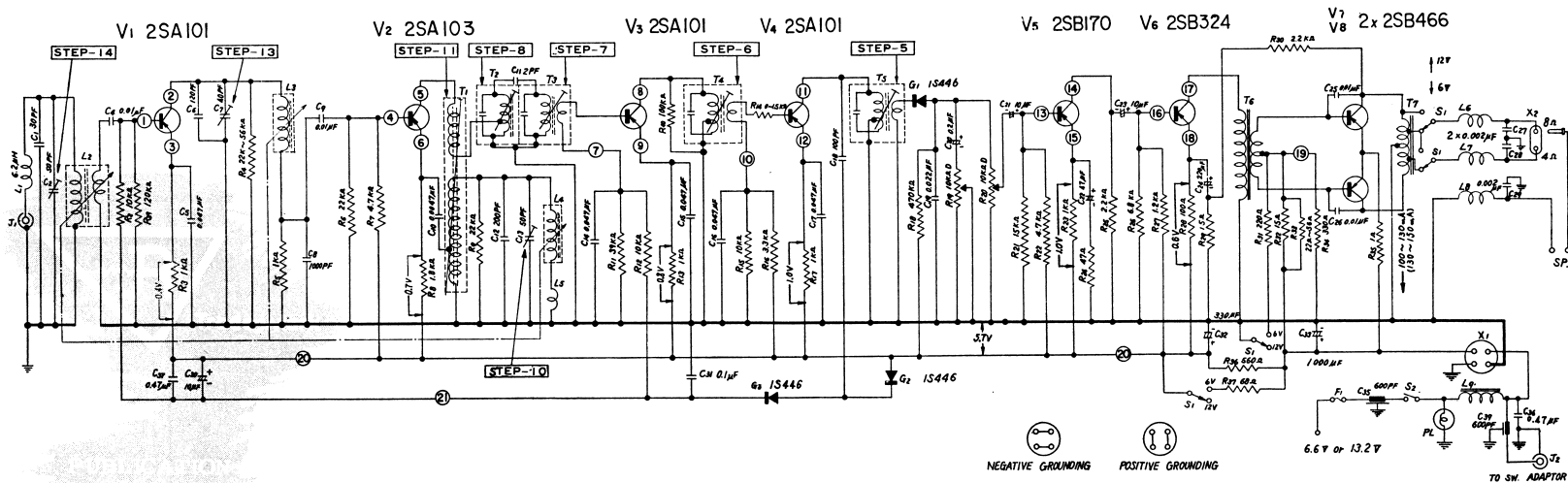


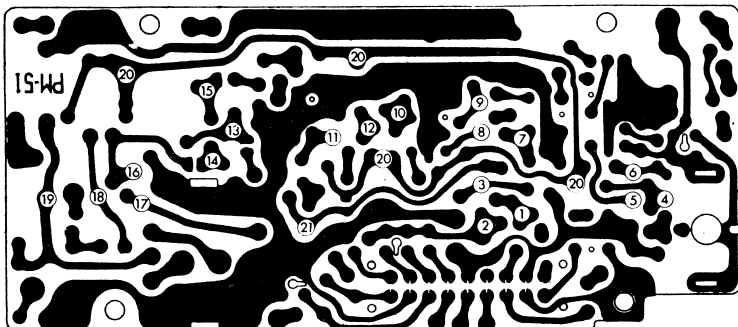
TUNING RANGE.....	535 to 1605 kHz
INTERMEDIATE FREQUENCY.....	455 kHz
SENSITIVITY	26 dB (20 microvolts) or less
AUDIO OUTPUT.....	3 watts or more (Power supply 13.2V) 1.2 watts or more (Power supply 6.6V)
ELECTRICAL FIDELITY.....	-3 dB or better at 100 Hz -16 dB or better at 4 kHz
SPEAKER IMPEDANCE	8 or 4 ohms
POWER INPUT	12 volt or 6 volt battery
Voltage	13.2 VDC or 6.6 VDC
Current	0.31 ampere at 0.5 watt output (Power supply 13.2V) 0.32 ampere at 0.5 watt output (Power supply 6.6V)



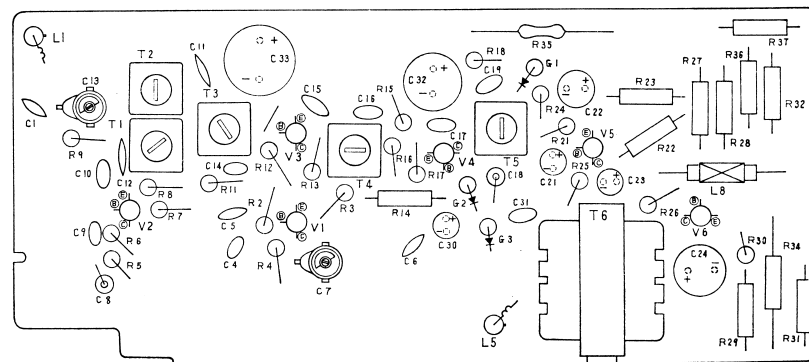
- NOTES: 1. VOLTAGE AND CURRENT VALUES AT NO SIGNAL INPUT, SUPPLY VOLTAGE 13.2 VOLTS (6.6 VOLTS). THESE VALUES ARE NOMINAL AND MAY VARY IN PRODUCTION.
2. NUMERALS IN CIRCLE ON THIS SCHEMATIC COINCIDE WITH THOSE ON CHECK POINTS ON PC BOARD

3. VALUE IN PARENTHESIS DENOTES THAT AT SUPPLY VOLTAGE 6.6 VOLTS.
4. DISCONNECT SPEAKER CIRCUIT TO MEASURE MORE ACCURATE VALUES IN MEASURING COLLECTOR CURRENT (V7 AND V8).

CHECK POINTS ON PC BOARD



PARTS LOCATION ON PC BOARD



T25

Ten AT-2010

PC BOARD

