



RADIO CORPORATION PTY. LTD.

DIVISION OF ELECTRONIC INDUSTRIES LTD.

126-130 GRANT STREET, SOUTH MELBOURNE, S.C.4.

TECHNICAL BULLETIN

BULLETIN A-3.

File:-Installation
Antenna.

Date: 3/9/46.

Page 1.

SUBJECT-

Installation Instructions

for

Car Radio

Under Car Antenna (Double dipole)

Radio Corp. Part Number PM409

GM-H Part Number M9660

Under Car Antenna (Single dipole)

Radio Corp. Part Number PM404

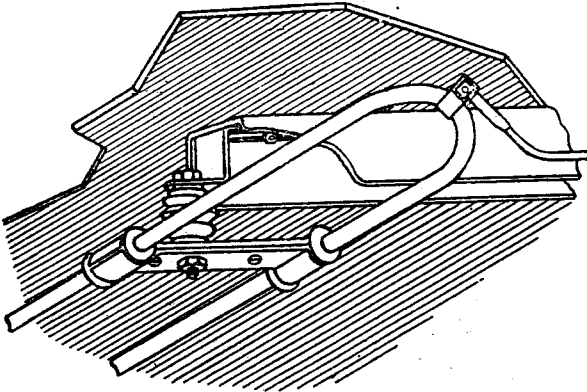
GM-H Part Number M9670

This antenna system consists of two antennas (one to be mounted under each running board) a connecting lead and a shielded lead-in wire. Each is equipped with two rubber insulators already mounted and three sets of drilled mounting brackets. The antenna which is connected to the lead-in wire, should be mounted under the running board, which will make it most convenient to reach receiver.

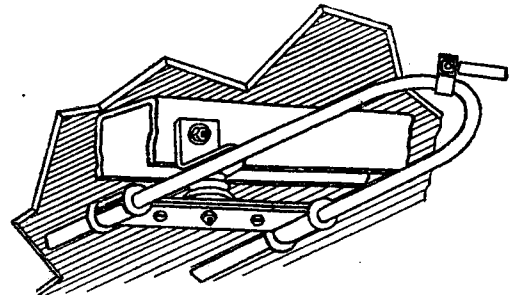
In the case of Ford V8 or other similar cars where only a single dipole installation is used, see paragraph 12.

MOUNTING INSTRUCTIONS.

1. If bolts come through the running board supports, use assembly A.
2. If the bolts are horizontal, use assembly B or C.



ASSEMBLY A



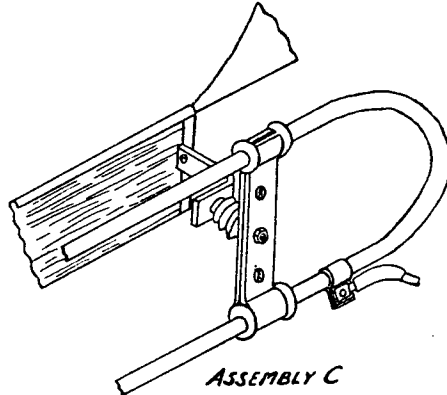
ASSEMBLY B

3. If there are no bolts, drill holes through the support brackets and use assembly B. There is never any need to drill through the running board itself.
4. Tighten the insulators securely so that there can be no movement.
5. Mount the second antenna under the other running board as described above, slipping the cross wire over the drive shaft. Fasten cross wire to car floor to keep it from touching drive shaft, or exhaust pipe.

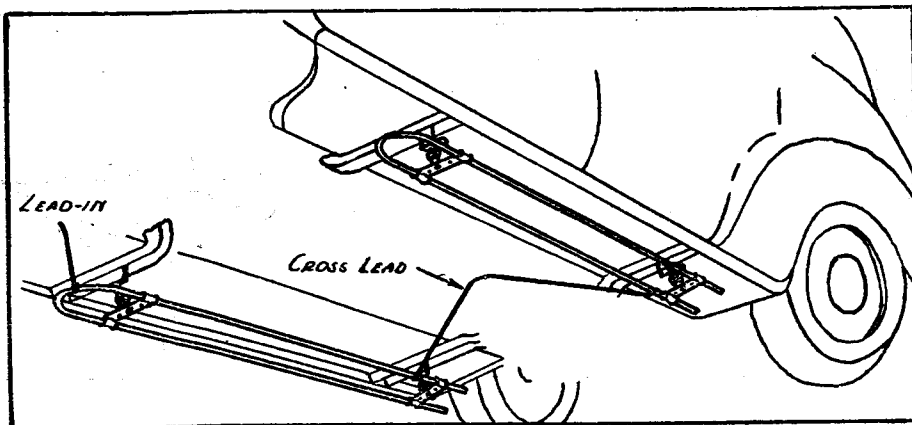
Date: 3/9/46.

Page 2.

6. Connect cross wire to lead clip on other antenna.
7. Securely ground the lead in shield on some convenient chassis bolt, taking care that a good earth contact is made.
8. Drill a 7/16th in. dia. hole in the floor board. If the floor board is metal, drill a 17/32nd in. dia. hole and insert rubber grommet to prevent the metal from chafing the lead-in.



9. Where the running board of the car is very short, it will be necessary to attach the front end of the antenna to the junction of the front fender and running board, which will also make necessary the shifting of the lead clip as shown in assembly C.
10. Always fit static collectors when an undercar antenna is used. Two front wheel static collectors are provided with the aerial.
11. To eliminate ignition noise, it may be necessary to properly bond exhaust, petrol pipe, etc., to chassis.



12. When one dipole only is used in installation, disconnect at contact the cross lead from dipole connected to the lead-in.