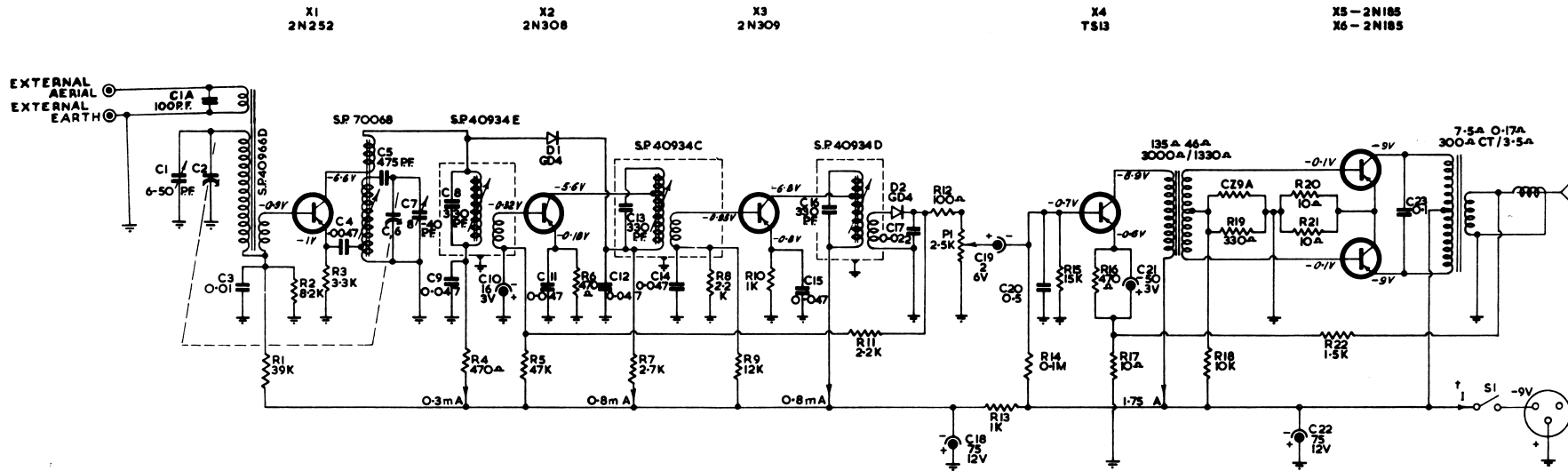




# MODEL 6100

MANTEL RECEIVER



- NOTES:-
1. C2 C6 10-375 PF GANGED
  2. INTERMEDIATE FREQUENCY 455 K/CS.
  3. CURRENT I IS AS FOLLOWS:
    - 6-14mA NO SIGNAL
    - 30-50mA NORMAL OPERATION
    - 60-80mA FULL OUTPUT SINE WAVE INPUT.
  4. CAPACITANCE IN M.F UNLESS OTHERWISE STATED.
  5. ALL VOLTAGES WERE MEASURED WITH A 20,000 OHM PER VOLT METER.
  6. THE TOLERANCE ON THE STATED VOLTAGES IS  $\pm 20\%$
  7. DIAL SCALE S.P. 40958.

MANUFACTURER RESERVES THE RIGHT TO CHANGE COMPONENTS AND CIRCUIT ARRANGEMENTS WITHOUT NOTICE

