

Service Data for the Healing Receiver

MODEL 575B

Power Supply—1.5 volt A Battery, 90 volt B Battery.

Frequency Range—550-1,620 kilocycles, 7,890-24,000 kilocycles.

Intermediate Frequency—455 kilocycles.

Speaker Transformer Impedance—9,000 ohms.

Battery Current—.3 amp. A Battery; 13 m.a. B Battery.

Typical Valve Voltages (measured to chassis):—

		1,000 ohms per volt D.C. meter scales.			
		10 V.	250 V.	250 V.	250 V.
Valve	Use	Filament	Screen	Plate	Osc. Plate
1A7G	Osc. Mod.	1.4	35	85	85
1N5G	1st I.F.	1.4	85	85	
1N5G	2nd I.F.	1.4	85	85	
1H5G	Det. A.V.C., 1st A.F.	1.4	—	20	
1Q5G	2nd A.F.	1.4	85	81	

Voltage across 450 ohm bias resistor—5 volts.

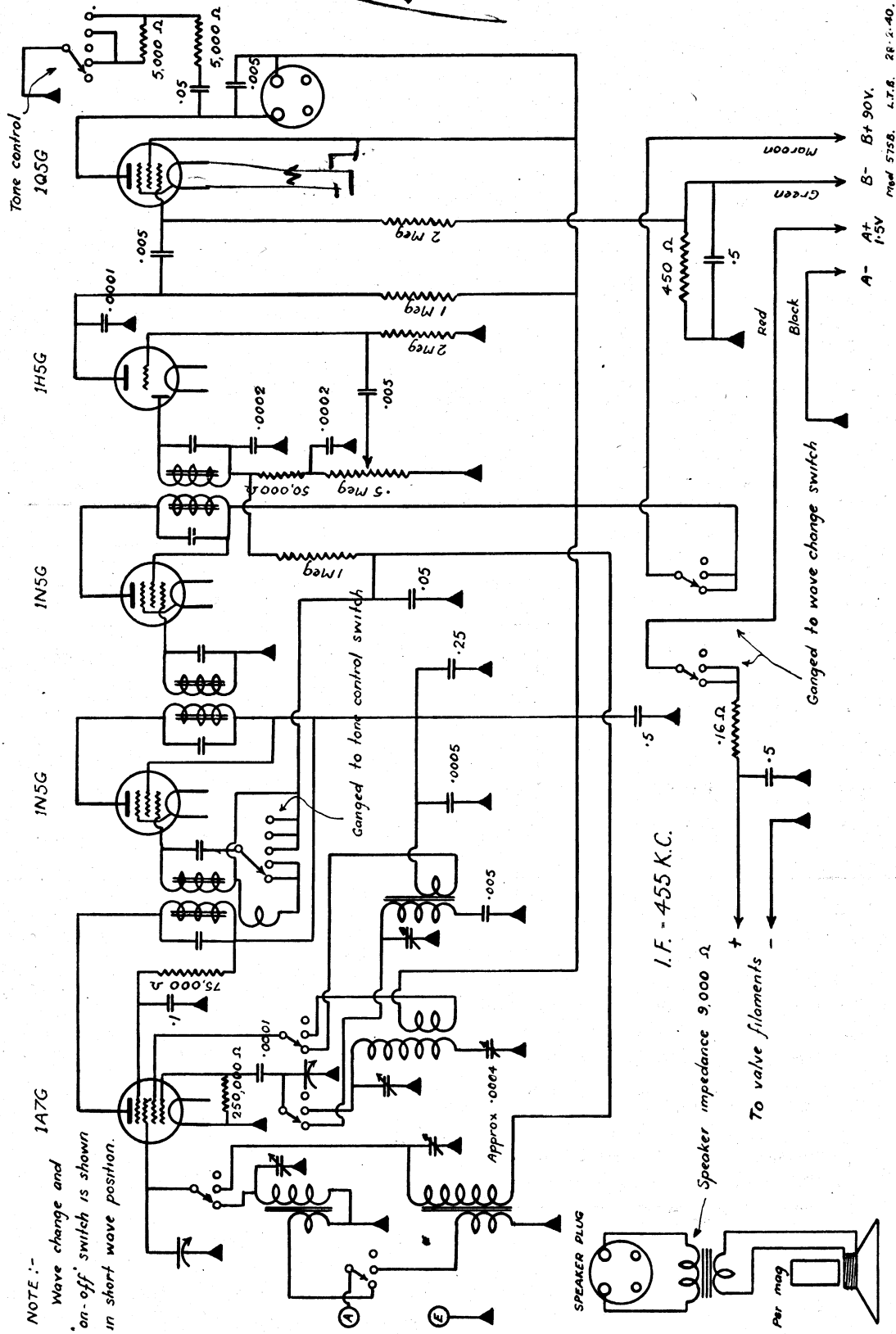
Voltage measurements taken with aerial disconnected and no signal input.

See pages 153 and 117 for alignment procedure.

Trimmers.—The trimmers are arranged in a row. The broadcast oscillator is nearest the end of the chassis, then follow the short-wave oscillator, the broadcast aerial, and the short-wave aerial, in that order. Occasionally, the broadcast aerial trimmer is omitted.

HEALING

Service Data for the Healing Receiver, Model 575B.



NOTE:--
Wave change and
on-off switch is shown
in short wave position.

Circuit Diagram of Model 575B

Med 575B. L.T.B. 28.1.40.