

Service Data for the Healing Receiver

MODEL 550E

Power Supply—200-250 volts A.C., 50 cycles.

Frequency Range—550-1,620 kilocycles, 7,890 to 24,000 kilocycles.

Intermediate Frequency—455 kilocycles.

Speaker Field—2,000 ohms.

Speaker Transformer Impedance—5,500 ohms.

Dial Lights—6 volts .5 amp.

Typical Valve Voltages (measured to chassis)—

		A.C. Filament	1,000 ohms per volt D.C. meter scales.			
Valve	Use		50 V. Cathode	250 V. Screen	250 V. Plate	250 V. Osc. Plate
EK2G . . .	Osc. Mod.	6.2		55—B.C. 75—S.W.	225	190
6U7G . . .	I.F.	6.2	2	100	225	
6G8G . . .	Det. A.V.C. 1st A.F.	6.2		20	40	
6V6G . . .	2nd A.F.	6.2	11	225	215	
80	Rectifier	4.9				

Voltage across back bias resistor—2.3 volts.

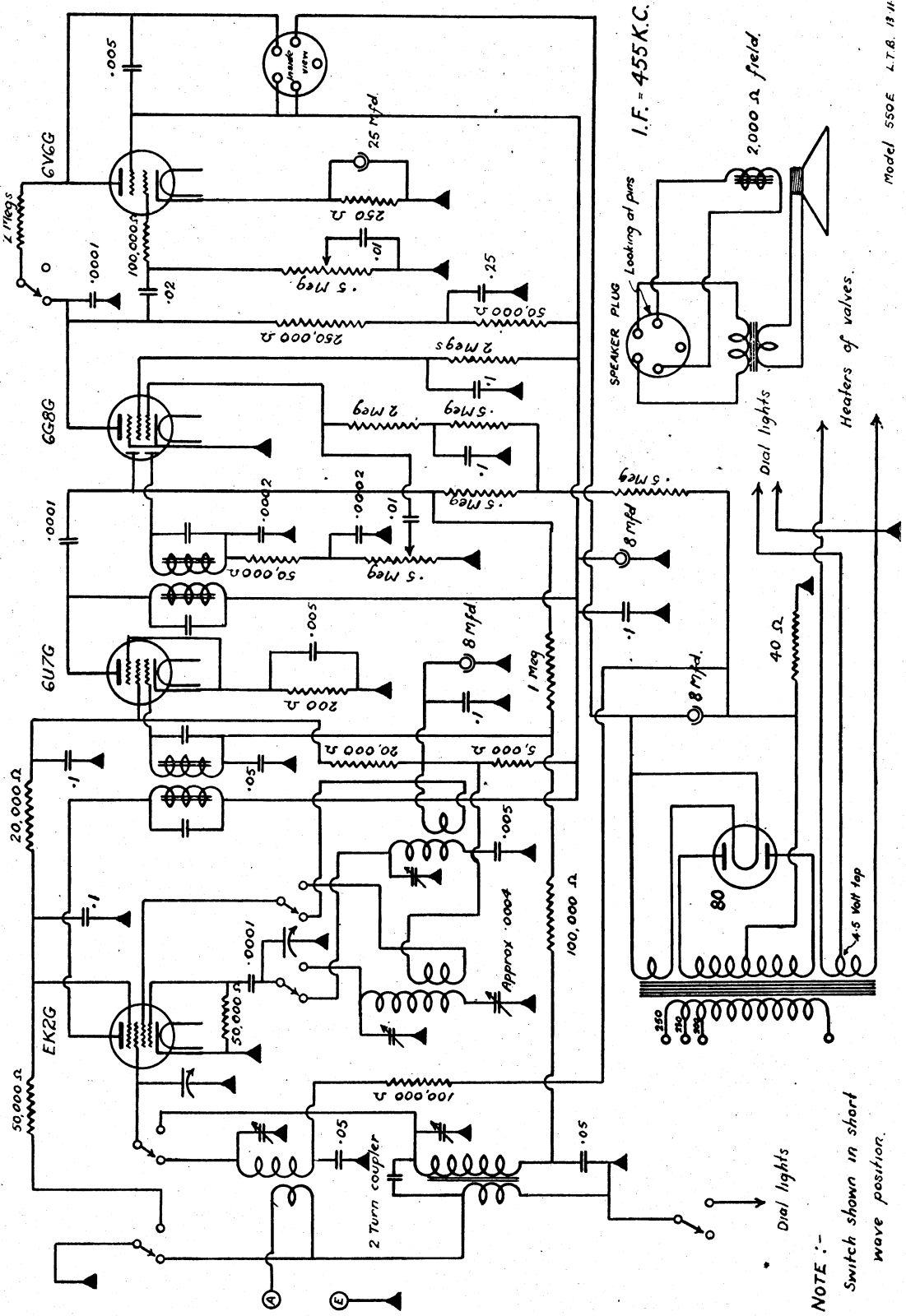
Voltage across speaker field—130 volts.

Voltage measurements taken with aerial disconnected and no signal input.

See pages 153 and 117 for alignment procedure.

Trimmers.—The oscillator trimmers are nearest the end of the chassis. Sometimes the broadcast aerial trimmer is omitted. The short-wave trimmers may be identified by tracing their connection to the enamelled wire leads from the short-wave coils.

Service Data for the Healing Receiver, Model 550E.



Circuit Diagram of Model 550E

NOTE :-
Switch shown in short
wave position.

Model 550E L.T.B. 18-11-39