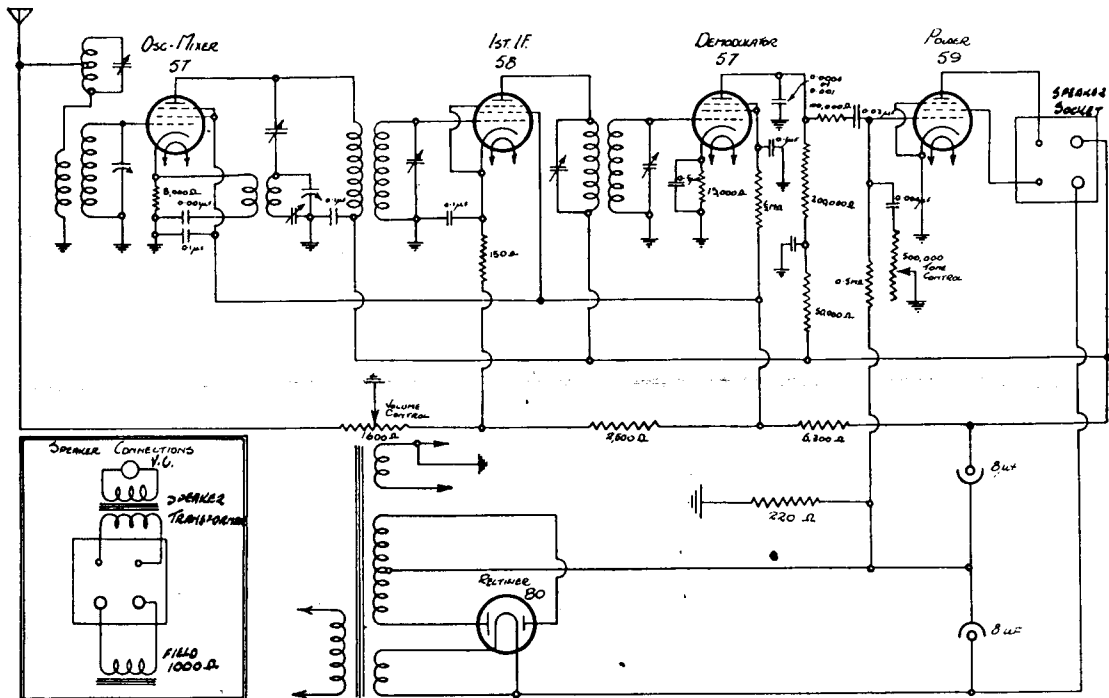


RADIO RECEIVER MODEL 533



CHANGES

STANBROOK-CRAIGSON (AUSTRALASIA) LIMITED
SYDNEY AUSTRALIA

DWG. NO. Z 120.

Drawn 1/21/35
Examined D.G.L.
Approved J.B.

Date 26-4-'35