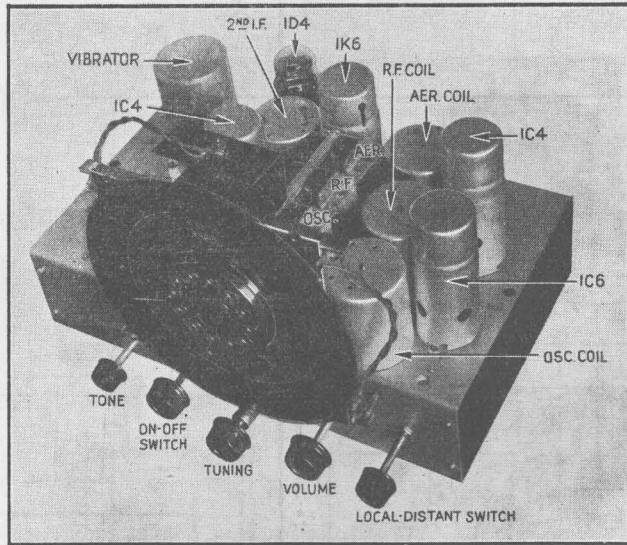


# Service Data for the Healing Receiver MODEL 518A

A SUPERHETERODYNE WITH A.V.C.

Power Supply 6  
Volt Accumulator  
and Vibrator

Dial Lamps are  
6 Volt .3 amp  
(4) and  
6 Volt .3 amp.  
(1)



Frequency  
Range  
1500-550 K.C.

Intermediate  
Frequency  
180 K.C.

## TYPICAL VALVE VOLTAGES

Valve	Use	1,000 ohms. per volt D.C. Meter Scales			
		10 V.	250 V.	250 V.	250 V.
		Filament	Screen	Plate	Osc. Plate
1C4	R.F.	2	50	145	
1C6	Osc. Mod.	2	50	145	55
1C4	I.F.	2	50	145	
1K6	A.V.C. Det. 1st A.F.	2	—	60	
1D4	2nd A.F.	2	145	135	

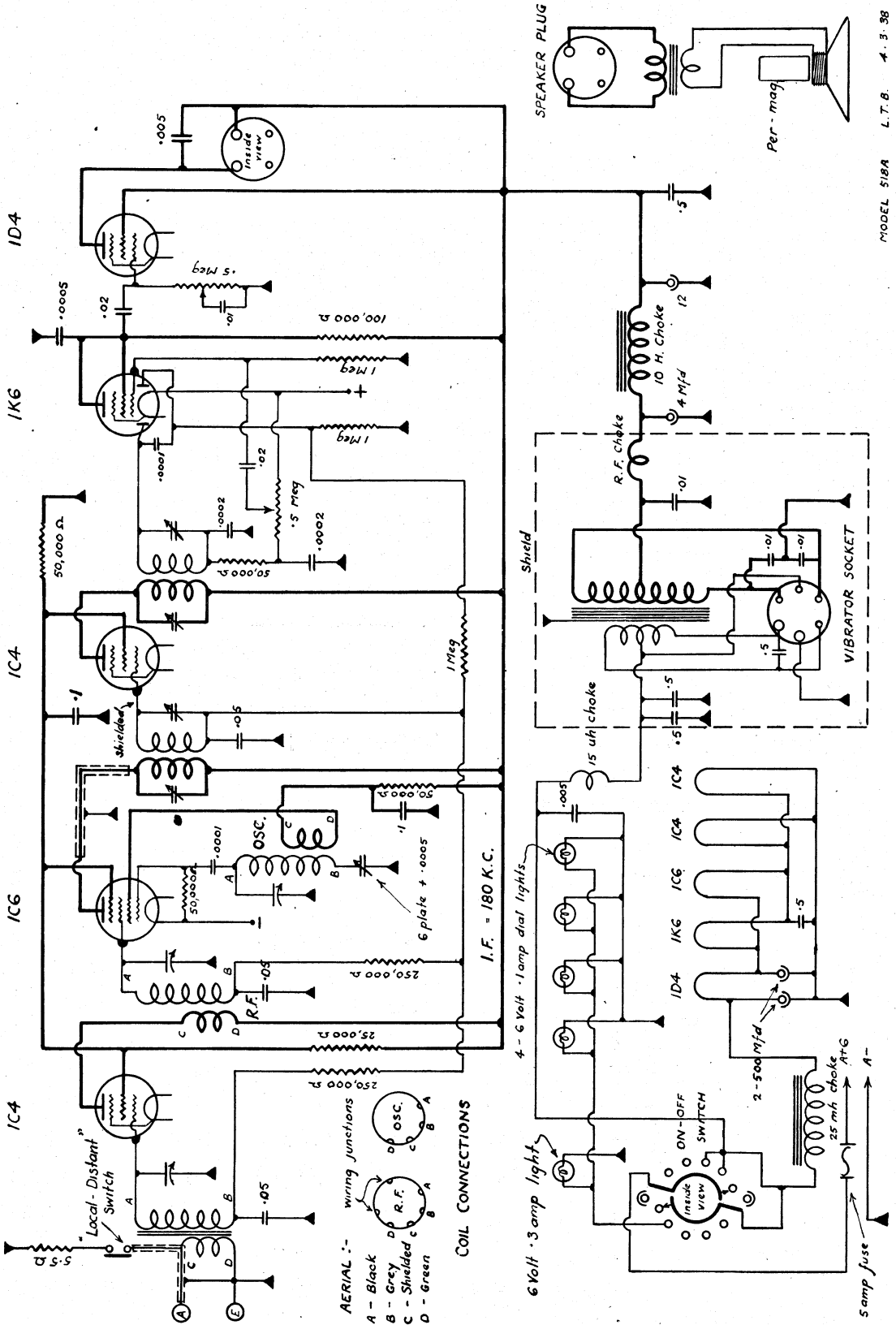
Battery consumption 1 amp. without dial lights.

Voltage measurements taken with aerial disconnected, and no signal input.

See page 117 for outline of alignment procedure.

# HEALING

## Service Data for the Healing Receiver Model 518A



Circuit Diagram of Model 518A.