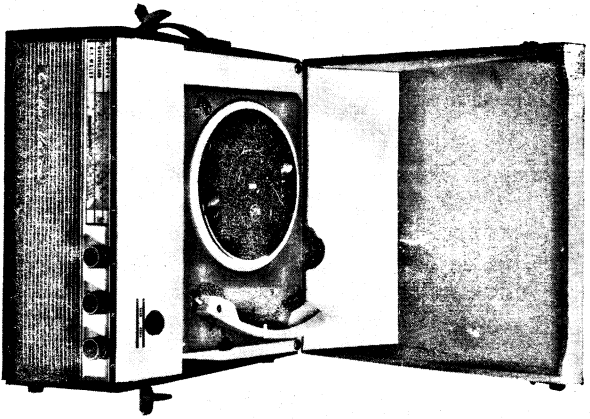


Service Data for the Heating Radiogram MODEL 504G



POWER SUPPLY: 240 - 250 Volts AC 50 cps.
POWER CONSUMPTION: 45 watts W/gram
FREQUENCY RANGE: 530 - 1620 Kc/s.
SPEAKER TRANSFORMER IMPEDANCE: 7000 ohms.

D.C. RESISTANCE OF INDUCTORS

Coil	Type	Primary Ohms	Sec. Ohms
Aerial	RJ162	4	2
OSC.	RJ164	18	18
1st I.F.	RJ163	18	18
2nd I.F.	RJ163	18	18

TYPICAL WORKING VOLTAGES

Measurements taken with respect to chassis using an AVO Model 8 20,000 ohm/volt meter. No signal input, 240V A.C. mains input

Valve	Use	Heater	Cathode	Screen	Plate
6BE6	Converter	6.1	0	90	180
6BA6	I.F. Amp.	6.1	0	90	180
6AV6	1st A.F. Amp. & Det.	6.1	0	—	70
6M5	2nd A.F. Amp.	6.1	0	180	207

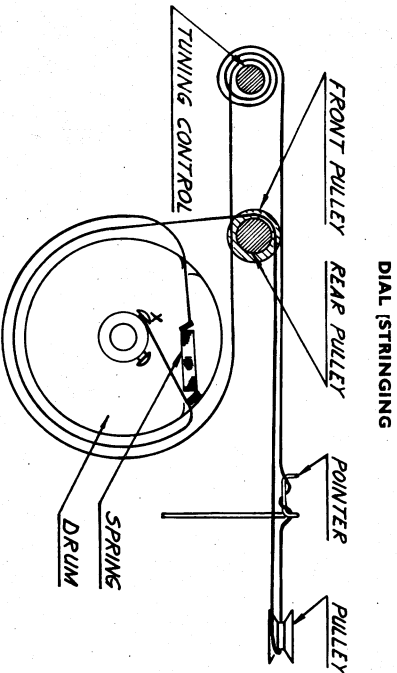
225 Volts DC Input to Filter

Bias Voltage across R7 2.2 volts.
 Bias Voltage across R9 2.8 volts.

TYPICAL VALVE CURRENTS
 Milliamps

Valve	Use	Cathode	Screen	Plate	Osc. Grid
6BE6	Converter	9.0	7.3	1.3	.4
6BA6	I.F. Amp.	5.1	1.5	3.6	
6AV6	1st A.F. Amp. & Det.	.4	—	.4	
6M5	2nd A.F. Amp.	26.5	3.0	23.5	

Total H.T. Current 41 mA



NOTE: Gang full out; set drum at position shown. Commence Dial Stringing at position X.

ALIGNMENT

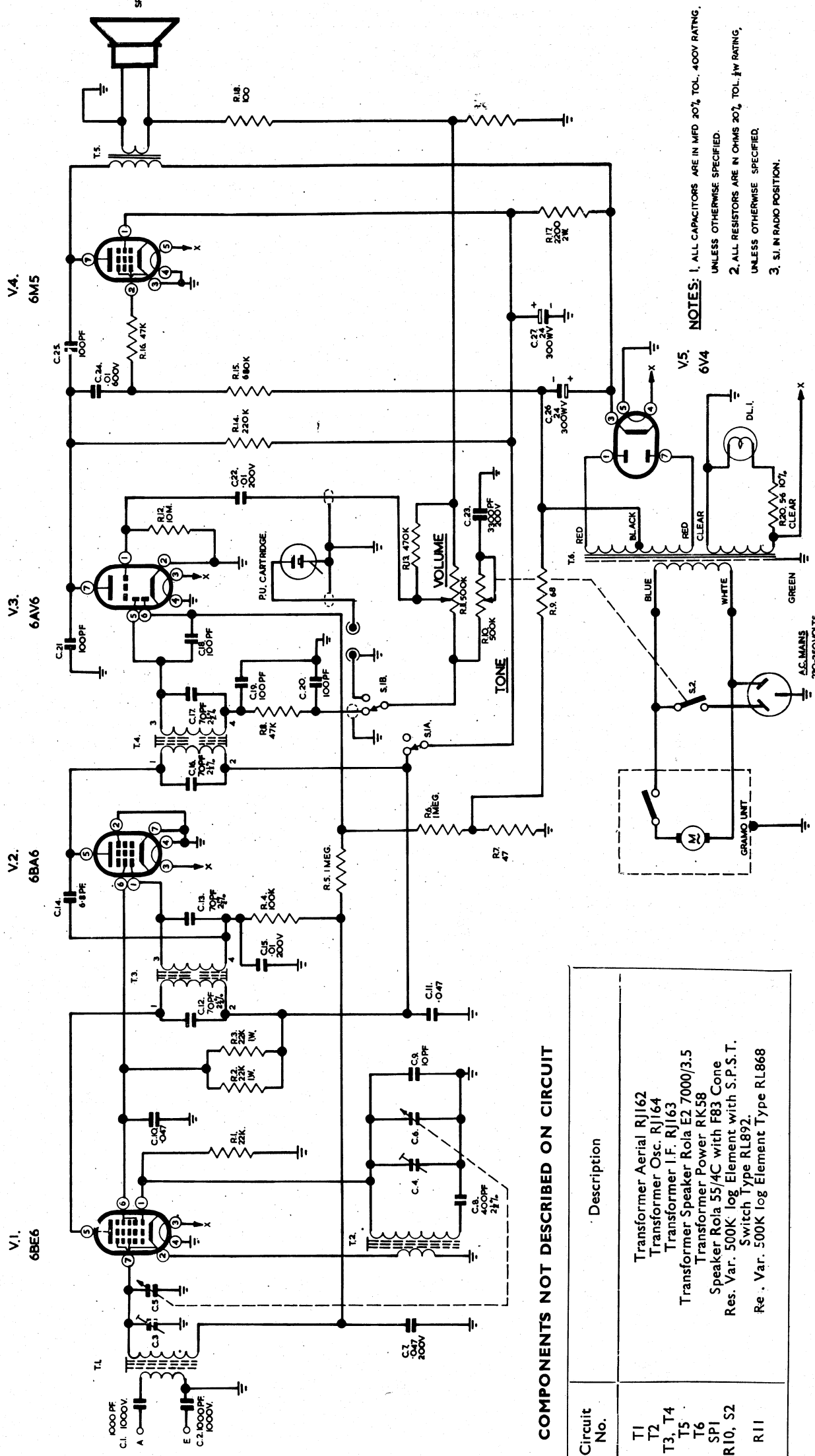
Use standard procedure. Trimmers are mounted on tuning condenser. Oscillator trimmer is mounted nearest to the panel. The oscillator coil is under the chassis near the front panel.

1. Adjust core in oscillator coil to set stations near low frequency end of dial and oscillator trimmer to set stations near high frequency end.
2. With generator loosely coupled to aerial lead, adjust aerial trimmer at 1,400 Kcs. and slide coil along ferrite rod at 600 Kcs. for maximum signal.

CHASSIS REMOVAL

The chassis may be withdrawn after the removal of four gold plated screws and the Gram-Radio knob. These screws are located one on each side and two on the base of the cabinet. The speaker baffle, front panel and chassis are now removable as a complete unit.

HEALING — Model 504G



NOTES: 1. ALL CAPACITORS ARE IN MFD 30%, TOL. 400V RATING, UNLESS OTHERWISE SPECIFIED.
 2. ALL RESISTORS ARE IN OHMS 30%, TOL. 1W RATING, UNLESS OTHERWISE SPECIFIED.
 3. S.I. IN RADIO POSITION.

COMPONENTS NOT DESCRIBED ON CIRCUIT

Circuit No.	Description
T1	Transformer Aerial R1162
T2	Transformer Osc. R1164
T3, T4	Transformer I.F. R1163
T5	Transformer Speaker Rola E2 7000/3.5
T6	Transformer Power RK58
SPI	Speaker Rola 55/4C with F83 Cone
R10, S2	Res. Var. 500K log Element with S.P.S.T. Switch Type RL892.
R11	Re. Var. 500K log Element Type RL868