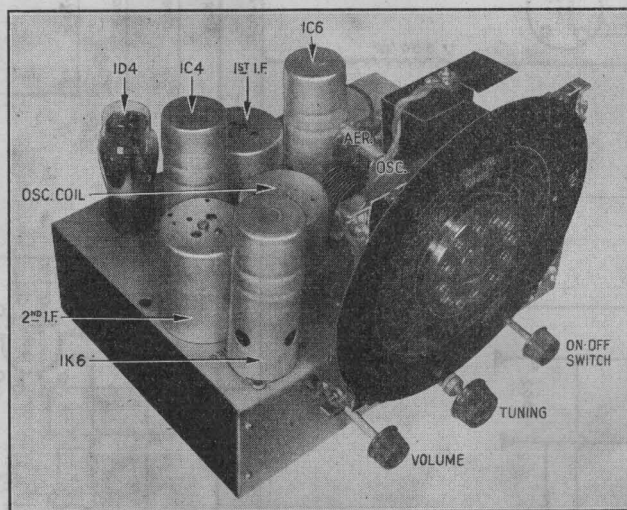


Service Data for the Healing Receiver MODEL 48B

A SUPERHETERODYNE WITH A.V.C.

Power Supply
2 volt A Battery
135 volt
B Battery

Dial Lamps are
2.5 volt. - 1
amp. (4) and
2.5 volt. - .3
amp. (1)



Frequency
Range
1500-550 K.C.

Intermediate
Frequency
455 K.C.

TYPICAL VALVE VOLTAGES (measured to Chassis).

Valve	Use	1,000 ohms. per volt D.C. Meter Scales			
		10 V.	250 V.	250 V.	250 V.
		Filament	Screen	Plate	Osc. Plate
1C6	Osc. Mod.	2	45	135	50
1C4	I.F.	2	45	135	
1K6	A.V.C. Det. 1st A.F.	2		45	
1D4	2nd A.F.	2	115	125	

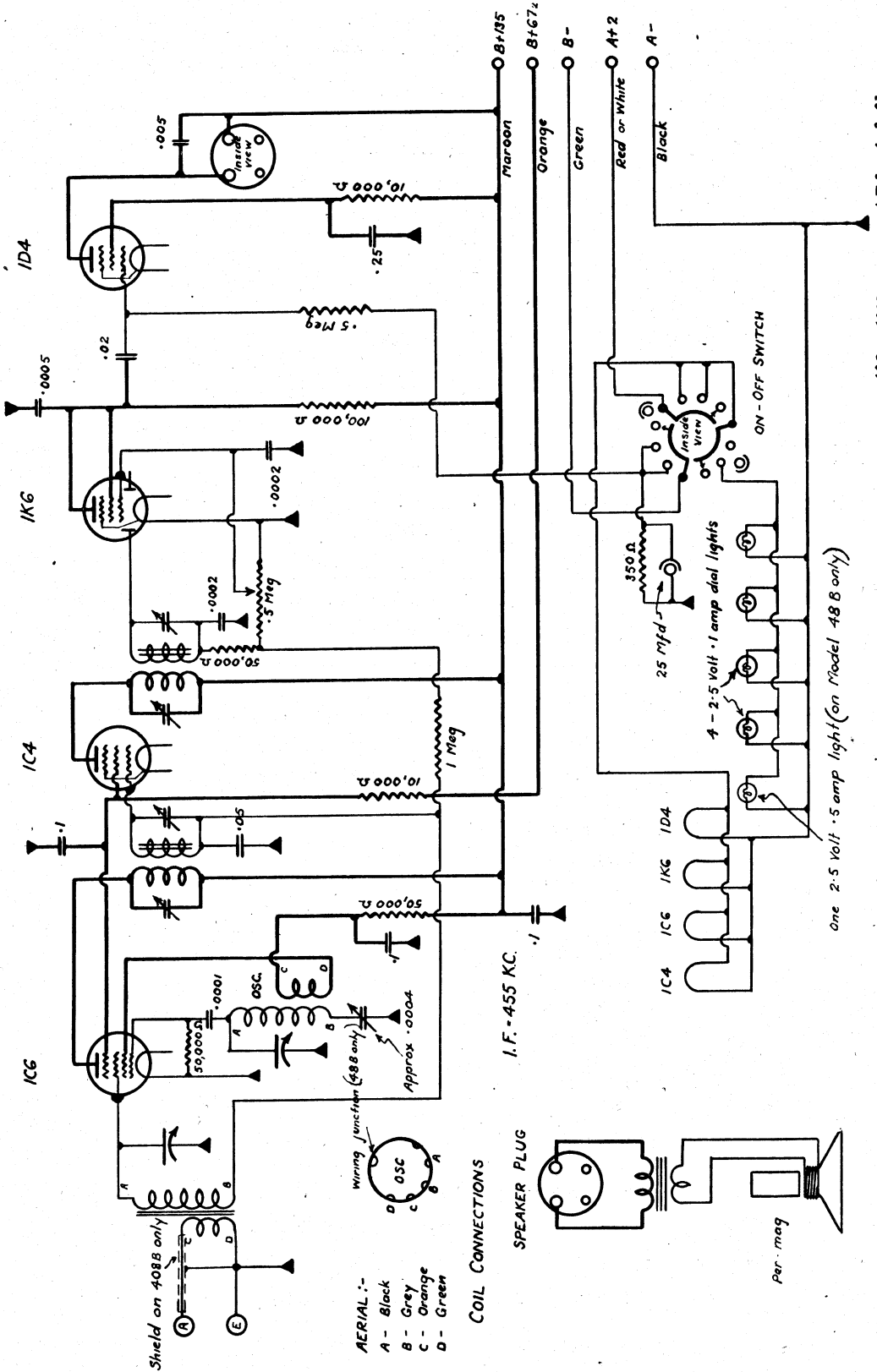
B. Battery current approx. 11 Millilamps.

Voltage measurements taken with aerial disconnected and no signal input.

See page 117 for outline of alignment procedure.

HEALING

Service Data for the Healing Receiver Model 48B.



Circuit Diagram of Model 48B.