

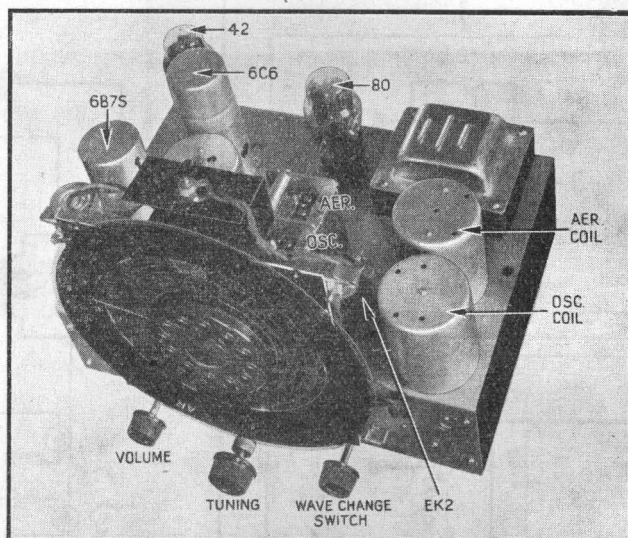
Service Data for the Healing Receiver MODEL 448E

A DUAL WAVE SUPER-HETERODYNE WITH A.V.C.

Power Supply
200-250 Volts
A.C.
50 Cycles

Speaker Field
2500 ohms.

Dial Lamps
6 Volt-.5 amp.



Frequency
Range
1500-550 K.C.
6-18 M.C.

Intermediate
Frequency
455 K.C.

TYPICAL VALVE VOLTAGES (measured to Chassis).

Valve	Use	A.C. Filament	1,000 ohms. per volt D.C. Meter Scales			
			50 V. Cathode	250 V. Screen	250 V. Plate	250 V. Osc. Plate
EK2	Osc. Mod.	6.2	4	80	220	140
6B7S	1F, A.V.C. Det.	6.2	2	80	220	
6C6	1st A.F.	6.2	1.3	25	35	
42	2nd A.F.	6.2	14.5	220	200	
80	Rectifier	4.9				

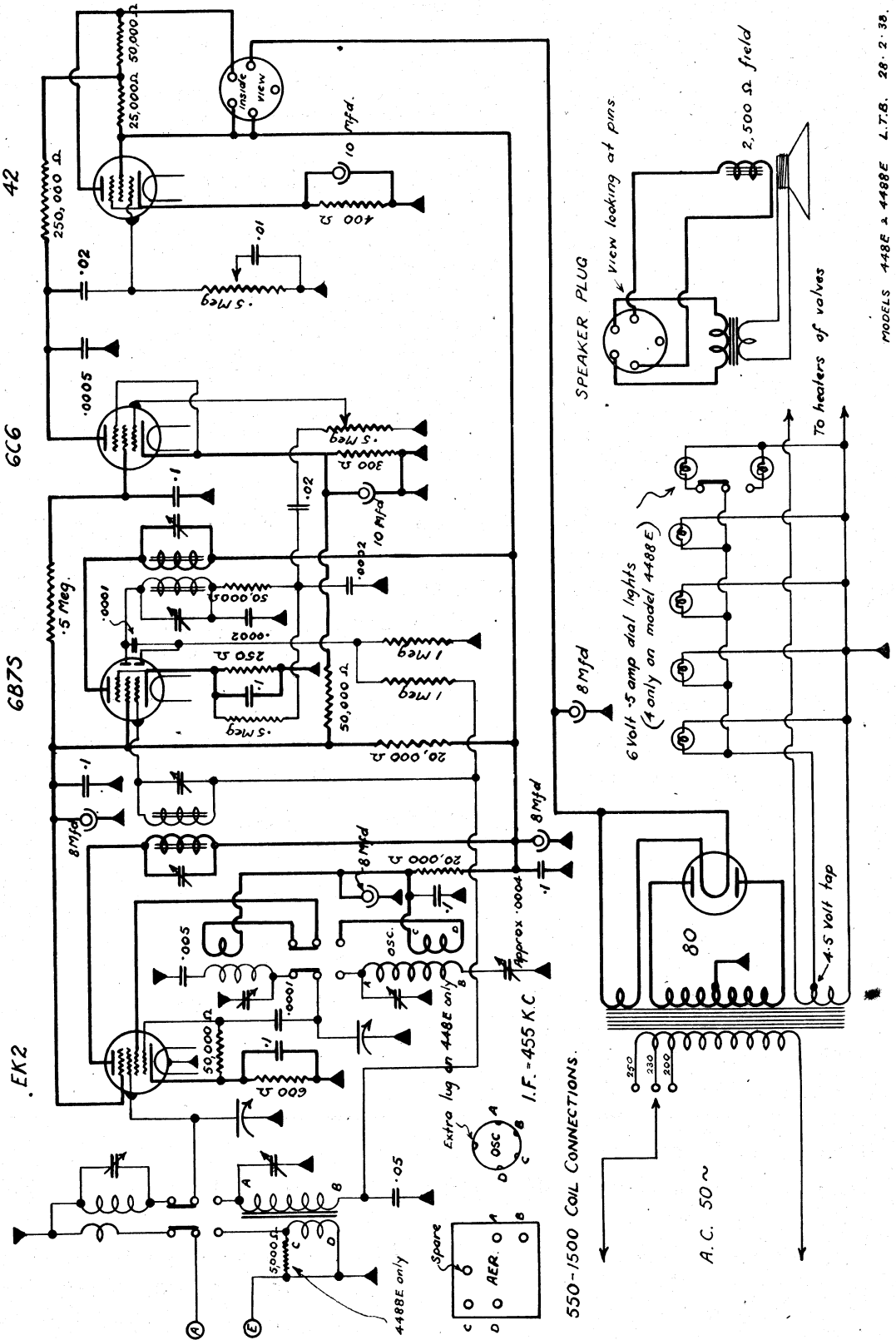
Speaker Field Voltage Drop—140 Volts.

Voltage measurements taken with aerial disconnected, and no signal input.

Trimmers : The oscillator trimmers are those nearest the front of the chassis. The broadcast trimmers are those nearest the end of the chassis.

See page 117 for outline of alignment procedure.

Service Data for the Healing Receiver Model 448E.



Circuit Diagram of Model 448E.

MODELS 448E & 4488E L.T.B. 28-2-38.