

Service Data for the Healing Receiver

MODEL 405 E

Power Supply: 220-250 volts A.C. 50 cycles.

Power Consumption: 32 Watts.

Frequency Range: 540-1620 Kc/s.

Intermediate Frequency: 455 Kc/s.

Speaker Transformer Impedance: 10,000 ohms.

Dial Light: 6.3 volt, .3 amps.

D.C. RESISTANCE OF R.F. COILS			
Coil	Type	Primary Ohms	Secondary Ohms
Aerial	RJ85B	24	3.2
Osc.	RJ86	.1	1.9
1st. I.F.	RJ83	8.5	8.5
2nd I.F.	RJ83	8.5	8.5

Typical Working Voltages.

D.C. Voltages are measured to chassis with no signal input.

Bias across resistor R11 4.2 volts.

Valve	Use	A.C. Heater	1000 OHM PER VOLT D.C. METER SCALES	
			250V. Screen	250V. Plate
6BE6	Conv.	6.0	54	181
6AU6	I.F.	6.0	102	181
6BV7	Det. A.V.C., Aud.	6.0	181	203
6V4	Rect.	6.0	203 volts input to filter.	

Typical Valve Currents.

Milliamps.

Valve	Use	Cathode	Screen	Plate	Osc. Grid
6BE6	Conv.	6	1.9	3.9	.2
6AU6	I.F.	11.5	3.1	8.4	
6BV7	Det. A.V.C., Aud.	24.5	4.5	20	
6V4	Rect.	Total H.T. current = 42 m/a.			

Position of Trimmers: Aerial and Osc. trimmers on gang.
There is no variable padder.

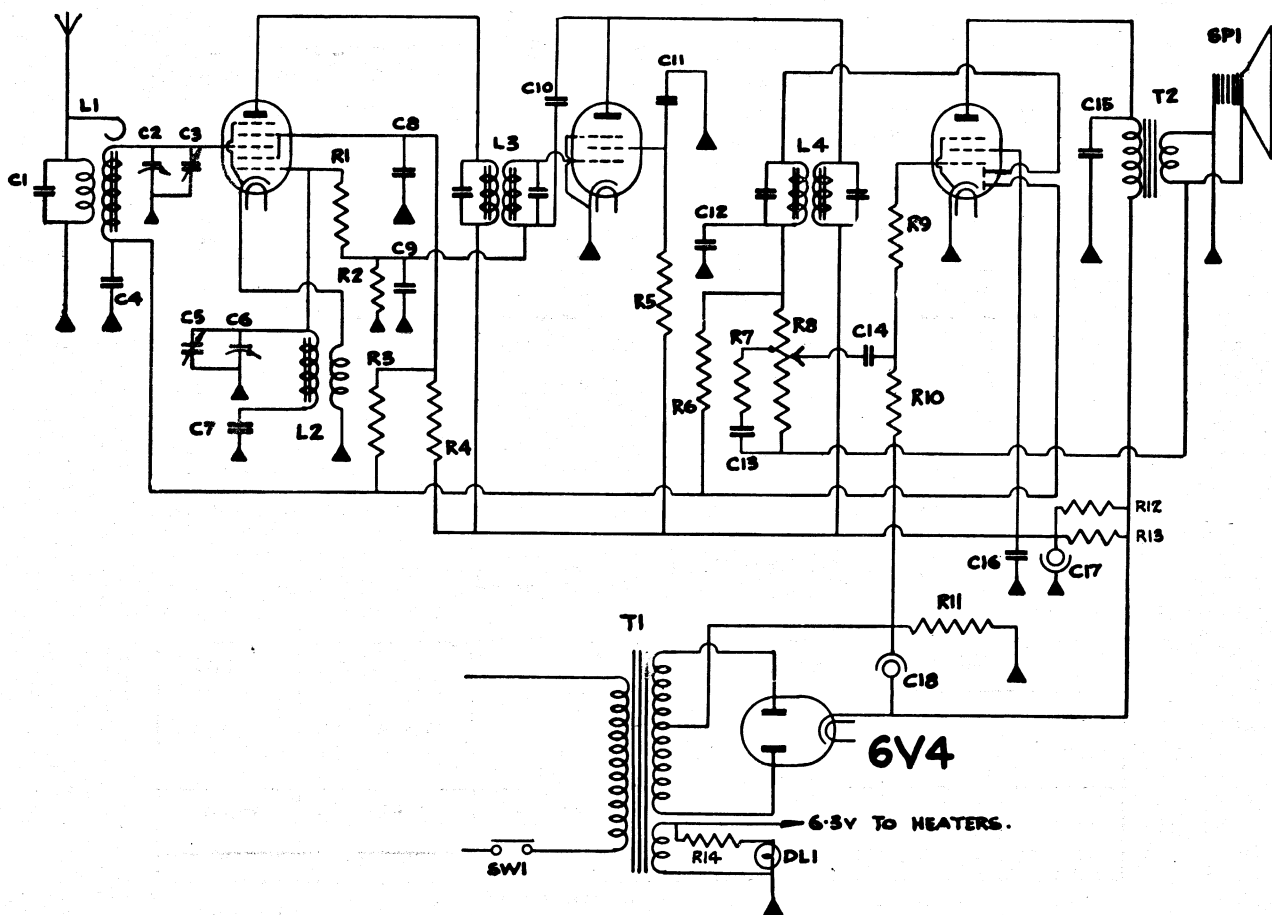
HEALING

MODEL 405 E

6BE6

6AU6

6BV7



COMPONENT'S LIST

Part No.	DESCRIPTION	Part No.	DESCRIPTION
C1	.0001 mfd. 400 volt mica condenser, special lugs.	R7	10,000 ohm $\frac{1}{2}$ watt carbon resistor.
C2, C6	12-450 pfd. variable condenser, 2 gang.	R8	500,000 ohm potentiometer tapped at 100,000 ohms, fitted with S.P. switch, type RL582.
C3	Trimmer condenser, 3-30 pfd.	R10	1 megohm $\frac{1}{2}$ watt carbon resistor.
C4	.05 mfd. 200 volt paper condenser.	R11	100 ohm $\frac{1}{2}$ watt W.W. resistor.
C5	Trimmer condenser, 3-30 pfd. wire type.	R12, R13	4000 ohm 1 watt carbon resistors.
C7	460 pfd. 2 $\frac{1}{2}$ % tol., silvered mica condenser.	R14	4 ohm $\frac{1}{2}$ watt W. W. resistor.
C8, C11, C16	.05 mfd. 400 volt paper condenser.	L1	Aerial coil, type RJ85B.
C9	.01 mfd. 200 volt paper condenser.	L2	Oscillator coil type RJ86.
C10	3 pfd. 400 volt mica condenser.	L3, L4	I.F. transformer type -RJ83.
C12	.0003 mfd. 400 volt mica condenser.	T1	Power transformer type RK38. Prim. 0,235 volts. Sec. 200-0-200 @ 40 m/a., 6.3 volts @ 2 amps.
C13, C14	.02 mfd. 600 volt paper condenser.	T2	Speaker transformer type EBB74, Impedance = 10,000 ohms.
C15	.01 mfd. 600 volt paper condenser.	SP1	Rola speaker type 5B.
C17	16 mfd. 350 peak volt electrolytic condenser.	DL1	Dial lamp, 6.3 volt, 0.3 amps.
C18	24 mfd. 350 peak volt electrolytic condenser.	SW1	S.P. switch, mounted on potentiometer R8.
R1	15,000 ohm. $\frac{1}{2}$ watt carbon resistor.		
R2, R9	4,700 ohm $\frac{1}{2}$ watt carbon resistor.		
R3	5 megohm 1 watt carbon resistor.		
R4	33,000 ohm 1 watt carbon resistor.		
R5	22,000 ohm $\frac{1}{2}$ watt carbon resistor.		
R6	2.2 megohm $\frac{1}{2}$ watt carbon resistor.		