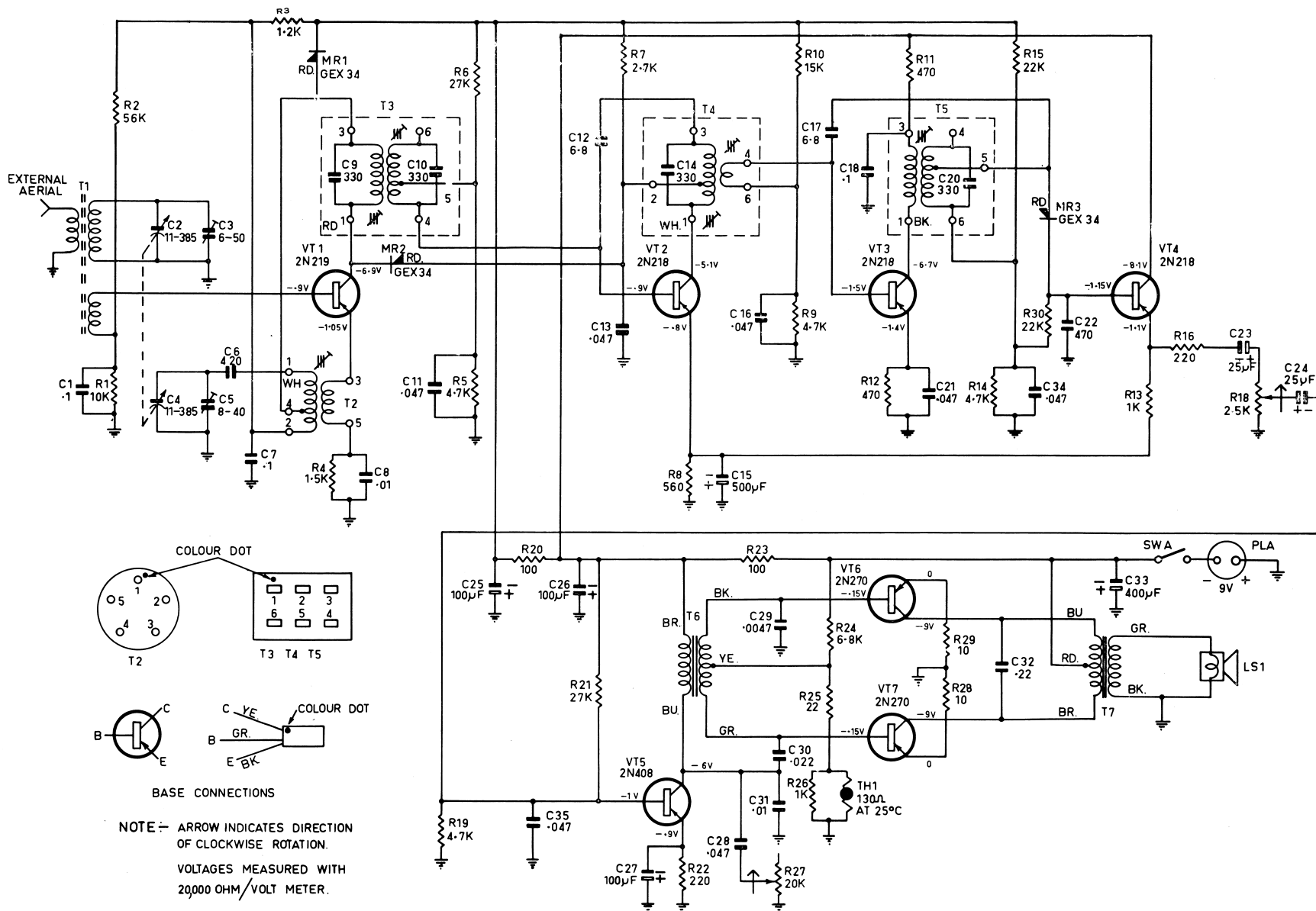


# CIRCUIT — RADIOLA 117-PY



## **Addendum to 117-P and 117-PZ Service Manual, Model 117-PY.**

**This model is identical to Model 117-PZ except for the following variations:—**

R3 now 1.2 K ohms  $\pm$  10%  $\frac{1}{2}$  watt.

R7 now 2.7 K ohms  $\pm$  10%  $\frac{1}{2}$  watt.

R10 now 15 K ohms  $\pm$  10%  $\frac{1}{2}$  watt.

R16 now 220 ohms  $\pm$  10%  $\frac{1}{2}$  watt.

R17 deleted.

R29 a 100 ohms  $\pm$  10%  $\frac{1}{2}$  watt added.

R30 a 22 K ohms  $\pm$  10%  $\frac{1}{2}$  watt added.

C35 a 0.0047 uf  $\pm$  20% 200 V. working paper added.

VT4 now a 2N218 type transistor.

T5 now Part No. 38725.

Component Layout Label now Part No. 37704.