

MODEL 11-151

ISSUE 1. DATE 19. 9. 1971.

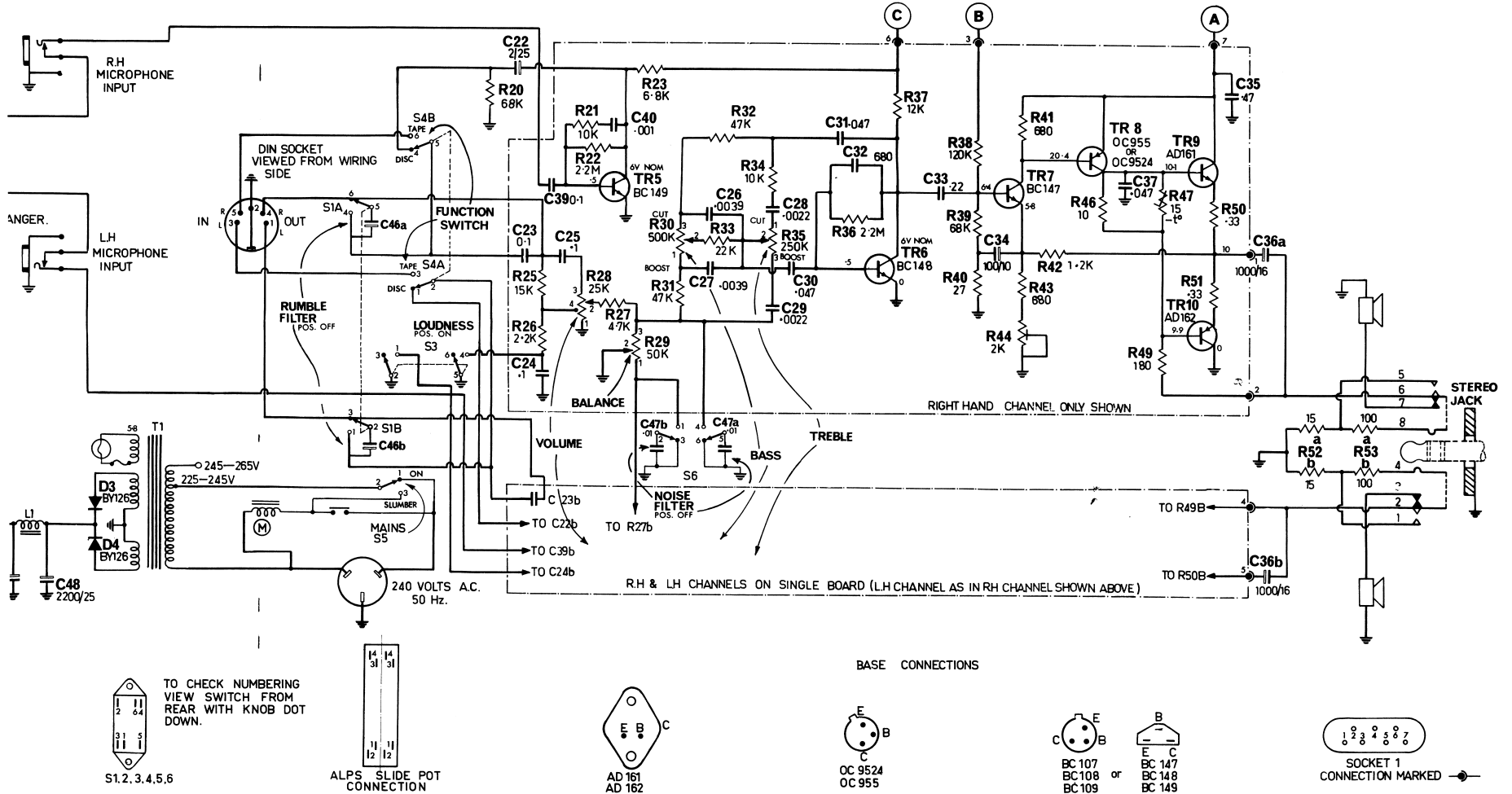
SPEAKERS. 6JX MAGNAVOX 2.5Ω V.C

VOLTMETER READING.

ALL VOLTAGES SHOWN ARE RELATIVE TO EARTH NO SIGNAL CONDITIONS USING A 40,000Ω/V METER

FUSE BEZEL LIGHT.

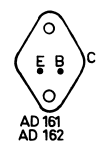
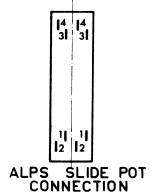
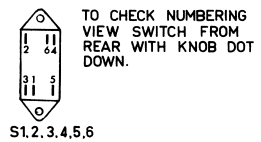
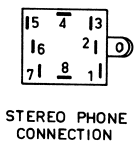
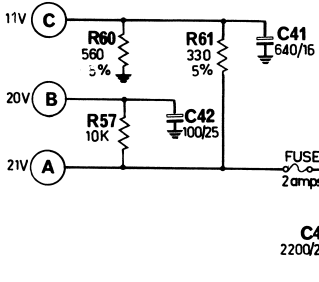
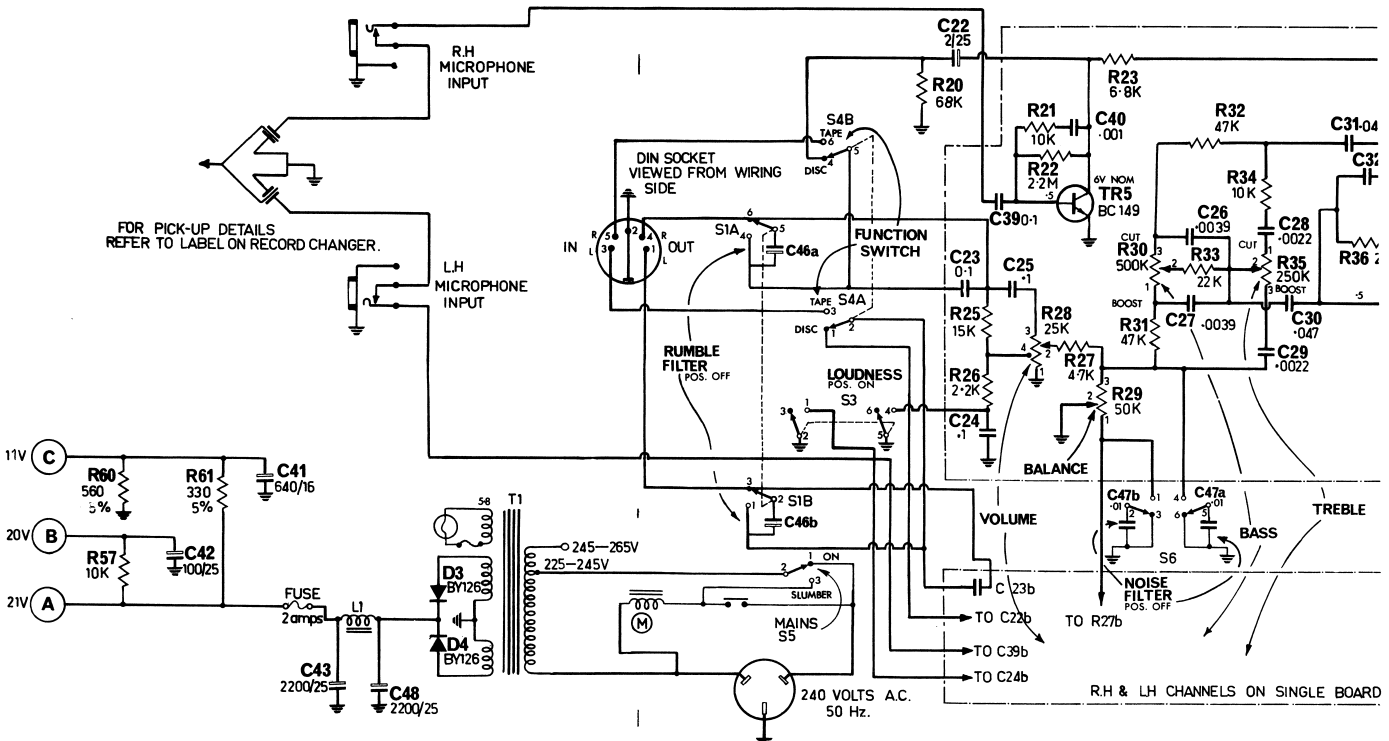
A WIRE FUSE IN SERIES WITH LAMP SUPPLY IS LOCATED IN POWER SUPPLY ON TAG STRIP ADJACENT TO POWER TRANSFORMER. (0.012" TINNED COPPER)



THIS CIRCUIT DIAGRAM IS PROVIDED FOR TECHNICAL GUIDANCE ONLY AND MAY DIFFER IN SOME DETAIL WITH THE APPARATUS TO WHICH IT IS ATTACHED FOR ADDITIONAL INFORMATION REFER TO THE CURRENT TECHNICAL SERVICE DOCUMENTATION OR CONTACT YOUR NEAREST KRIESLER SERVICE DEPARTMENT.

MODEL 11-151

ISSUE I. DATE 19. 9. 1971.



THIS CIRCUIT DIAGRAM IS PROVIDED FOR TECHNICAL GUIDANCE ONLY AND MAY DIFFER IN SOME DETAIL WITH THE APPARATUS TO WHICH IT IS APPLIED. FOR ADDITIONAL INFORMATION REFER TO THE CURRENT TECHNICAL SERVICE DOCUMENTATION OR CONTACT YOUR NEAREST KRIESLER SERVICE DEPARTMENT.