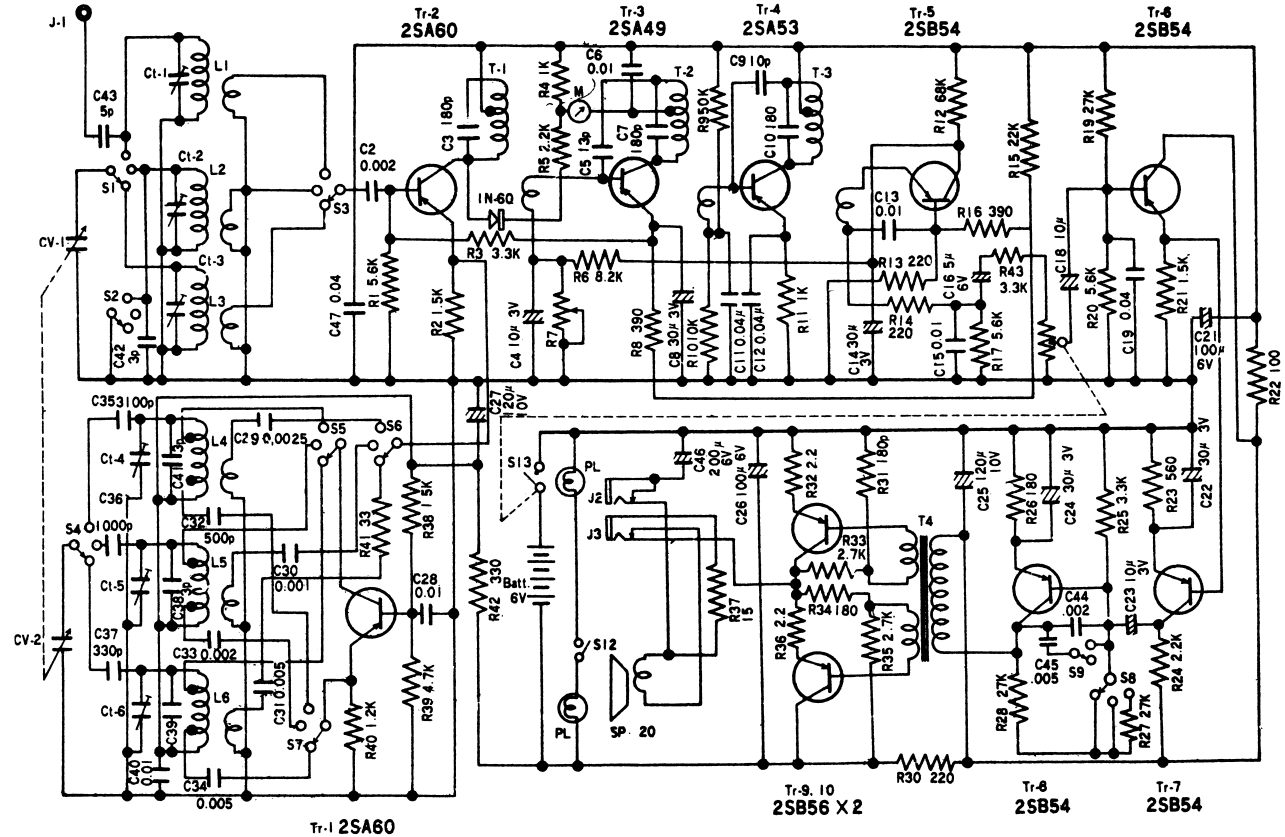
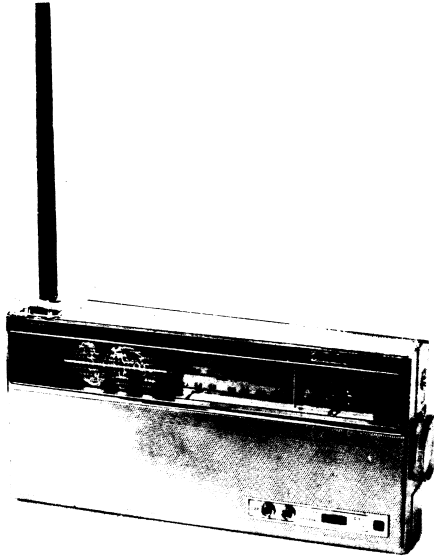


SANYO 10S-P10



- * Standard broadcasts: 535-1605 Kc/s
- Short-wave SW1: 2Mc/s-6Mc/s
- SW2: 6Mc/s-18Mc/s
- * Intermediate Frequency: 455 Kc/s
- * Output Power
 - Undistorted: 160 mW
 - Maximum: 270 mW
- * Radiation Sensitivity
 - Standard Broadcast: 200 μ V/m
 - Short-wave SW1: 140 μ V/m
 - SW2: 320 μ V/m
 (lower limit for 10 mW output)
- * Speaker
 - 3 $\frac{1}{2}$ -inch permanent dynamic type
 - (voice coil impedance 20 ohms at 1,000 c/s)